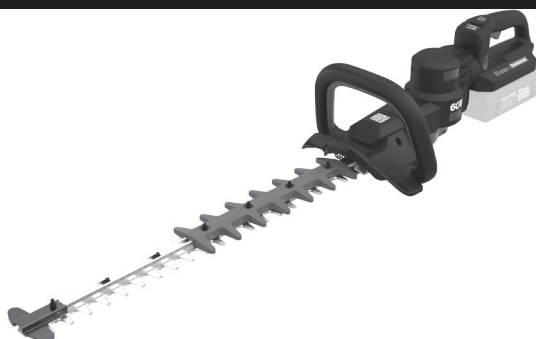


# Kress

## Commercial



|   |     |      |
|---|-----|------|
| Commercial hedge trimmer (Trimming)                   | EN  | P02  |
| Kommerzielle Heckenschere (Trimmschnitt)              | D   | P16  |
| Taille-haie commercial (Taille)                       | F   | P30  |
| Tagliasiepi commerciale (Rifinitura)                  | I   | P44  |
| Cortasetos comercial (Recorte)                        | ES  | P57  |
| Aparador de sebes comercial (Aparar)                  | PT  | P70  |
| Commerciële heggenschaar (Trimning)                   | NL  | P83  |
| Kereskedelmi sövénynyíró (Metszés)                    | HU  | P96  |
| Fierăstrău pentru tăierea gard viu (Tăiere)           | RO  | P110 |
| Komercyjna nożyca do żywopłotów (Przycinanie)         | PL  | P124 |
| Komerční žací nůžky na živý plot (Střihání)           | CZ  | P138 |
| Komerčná živcová nůžky (Zastrihávanie)                | SK  | P151 |
| Komercialne rezalne škarje za živo mejo (Obrezovanje) | SL  | P164 |
| Komercijalne škare za živicu (Obrezivanje)            | HR  | P177 |
| Kommersiel hækkeklipper (Trimning)                    | DK  | P190 |
| Kaupallinen pensasleikkuri (Siistiminen)              | FIN | P203 |
| Kommerciell hekktrimmer (Trimming)                    | NOR | P215 |
| Kommersiell häcksax (Trimning)                        | SV  | P227 |

**KC201 KC201.X**

# TABLE OF CONTENTS

|                                  |    |
|----------------------------------|----|
| Introduction.....                | 2  |
| Component List.....              | 3  |
| Product Safety.....              | 4  |
| Assembly & Operation.....        | 7  |
| Transportation.....              | 10 |
| Maintenance.....                 | 10 |
| Cleaning.....                    | 11 |
| Storage.....                     | 11 |
| Troubleshooting.....             | 11 |
| Technical Data.....              | 12 |
| EN Environmental Protection..... | 13 |
| Declaration of Conformity.....   | 14 |

## INTRODUCTION

Dear Customer,

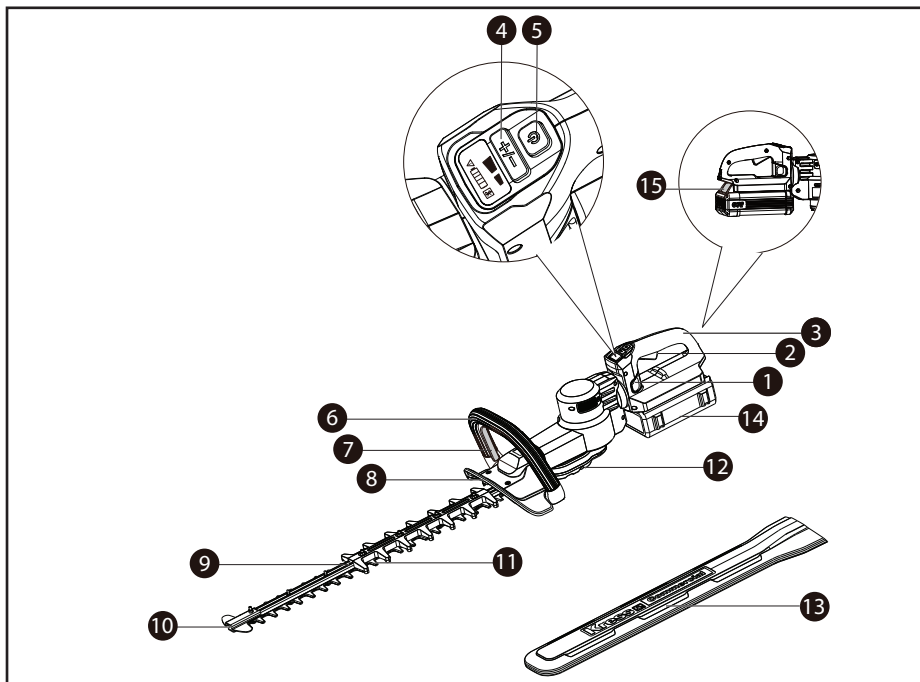
Thank you for buying this Kress Commercial product. We are dedicated to developing high quality products to meet your commercial landscaping requirements.

The Kress brand is synonymous with premium quality service. Over the years of your product's life, if you have any questions or concerns about your product, please contact your dealer or our Customer Service Team for assistance.

We are confident you will enjoy working with your Kress product for years to come.

## INTENDED USE

This machine is intended for cutting and trimming hedges and bushes in light and heavy commercial use.



## COMPONENT LIST

- |     |   |
|-----|---|
| 1.  | LOCKING SWITCH FOR ROTATING REAR HANDLE               |
| 2.  | THROTTLE TRIGGER                                      |
| 3.  | ROTATING REAR HANDLE                                  |
| 4.  | SPEED CONTROL BUTTON                                  |
| 5.  | ON/OFF SWITCH   |
| 6.  | FRONT HANDLE  |
| 7.  | OPERATOR PRESENCE SWITCH (ALL AROUND SWITCH FUNCTION) |
| 8.  | SAFETY GUARD  |
| 9.  | BLADE   |
| 10. | TIP GUARD   |
| 11. | REAR BLADE GUARD                                      |
| 12. | METAL GEAR BOX  |
| 13. | BLADE SHEATH  |
| 14. | BATTERY PACK *  |
| 15. | BATTERY-RELEASE BUTTON                                |

\* Not all the accessories illustrated or described are included in standard delivery.

# ORIGINAL INSTRUCTIONS

## PRODUCT SAFETY

### GENERAL POWER TOOL

#### SAFETY WARNINGS



**WARNING** Read all safety warnings, instructions, illustrations and specifications provided with this Power tool. Failure to follow all instructions listed below may result in electric shock, fire and/or serious injury.

Save all warnings and instructions for future reference.

The term "Power tool" in the warnings refers to your mains-operated (corded) Power tool or battery-operated (cordless) Power tool.

#### 1. Work area safety

- a) **Keep work area clean and well lit.** Cluttered or dark areas invite accidents.
- b) **Do not operate Power tools in explosive atmospheres, such as in the presence of flammable liquids, gases or dust.** Power tools create sparks which may ignite the dust or fumes.
- c) **Keep children and bystanders away while operating a Power tool.** Distractions can cause you to lose control.

#### 2. Electrical safety

- a) **Power tool plugs must match the outlet. Never modify the plug in any way. Do not use any adapter plugs with earthed (grounded) Power tools.** Unmodified plugs and matching outlets will reduce risk of electric shock.
- b) **Avoid body contact with earthed or grounded surfaces, such as pipes, radiators, ranges and refrigerators.** There is an increased risk of electric shock if your body is earthed or grounded.
- c) **Do not operate the machine in rain or wet conditions.** Water entering the machine may increase the risk of electric shock or malfunction that could result in personal injury. If the machine becomes wet in the rain during operation, the machine and the battery should be dried before storing or charging. Remove the battery and reinsert it if the machine fails to turn on. Keep battery connection free of dirt and debris, and clean with a soft and dry brush or cloth.
- d) **Do not abuse the cord. Never use the cord for carrying, pulling or unplugging the Power tool. Keep cord away from heat, oil, sharp edges or moving parts.** Damaged or entangled cords increase the risk of electric shock.
- e) **When operating a Power tool outdoors, use an extension cord suitable for outdoor use.** Use of a cord suitable for outdoor use reduces the risk of electric shock.
- f) **If operating a Power tool in a damp location is unavoidable, use a residual current device (RCD) protected supply.** Use of an RCD reduces

the risk of electric shock.

#### 3. Personal safety

- a) **Stay alert, watch what you are doing and use common sense when operating a Power tool. Do not use a Power tool while you are tired or under the influence of drugs, alcohol or medication.** A moment of inattention while operating Power tools may result in serious personal injury.
- b) **Use personal protective equipment. Always wear eye protection.** Protective equipment such as dust mask, non-skid safety shoes, hard hat, or hearing protection used for appropriate conditions will reduce personal injuries.
- c) **Prevent unintentional starting. Ensure the switch is in the off-position before connecting to power source and/or battery pack, picking up or carrying the tool.** Carrying Power tools with your finger on the switch or energising Power tools that have the switch on invites accidents.
- d) **Remove any adjusting key or wrench before turning the Power tool on.** A wrench or a key left attached to a rotating part of the Power tool may result in personal injury.
- e) **Do not overreach. Keep proper footing and balance at all times.** This enables better control of the Power tool in unexpected situations.
- f) **Dress properly. Do not wear loose clothing or jewellery. Keep your hair and clothing away from moving parts.** Loose clothes, jewellery or long hair can be caught in moving parts.
- g) **If devices are provided for the connection of dust extraction and collection facilities, ensure these are connected and properly used.** Use of dust collection can reduce dust-related hazards.
- h) **Do not let familiarity gained from frequent use of tools allow you to become complacent and ignore tool safety principles.** A careless action can cause severe injury within a fraction of a second.

#### 4. Power tool use and care

- a) **Do not force the Power tool. Use the correct Power tool for your application.** The correct Power tool will do the job better and safer at the rate for which it was designed.
- b) **Do not use the Power tool if the switch does not turn it on and off.** Any Power tool that cannot be controlled with the switch is dangerous and must be repaired.
- c) **Disconnect the plug from the power source and/or remove the battery pack, if detachable, from the Power tool before making any adjustments, changing accessories, or storing Power tools.** Such preventive safety measures reduce the risk of starting the Power tool accidentally.
- d) **Store idle Power tools out of the reach of children and do not allow persons unfamiliar with the Power tool or these instructions to operate the Power tool.** Power tools are dangerous in the hands of untrained users.

## HEDGE TRIMMER SAFETY WARNINGS:

- e) **Maintain Power tools and accessories.** Check for misalignment or binding of moving parts, breakage of parts and any other condition that may affect the Power tool's operation. If damaged, have the Power tool repaired before use. *Many accidents are caused by poorly maintained Power tools.*
  - f) **Keep cutting tools sharp and clean.** *Properly maintained cutting tools with sharp cutting edges are less likely to bind and are easier to control.*
  - g) **Use the Power tool, accessories and tool bits etc. in accordance with these instructions, taking into account the working conditions and the work to be performed.** *Use of the Power tool for operations different from those intended could result in a hazardous situation.*
  - h) **Keep handles and grasping surfaces dry, clean and free from oil and grease.** *Slippery handles and grasping surfaces do not allow for safe handling and control of the tool in unexpected situations.*
- 5. Battery tool use and care**
- a) **Recharge only with the charger specified by the manufacturer.** *A charger that is suitable for one type of battery pack may create a risk of fire when used with another battery pack.*
  - b) **Use Power tools only with specifically designated battery packs.** *Use of any other battery packs may create a risk of injury and fire.*
  - c) **When battery pack is not in use, keep it away from other metal objects, like paper clips, coins, keys, nails, screws or other small metal objects, that can make a connection from one terminal to another.** *Shorting the battery terminals together may cause burns or a fire.*
  - d) **Under abusive conditions, liquid may be ejected from the battery; avoid contact. If contact accidentally occurs, flush with water. If liquid contacts eyes, additionally seek medical help.** *Liquid ejected from the battery may cause irritation or burns.*
  - e) **Do not use a battery pack or tool that is damaged or modified.** *Damaged or modified batteries may exhibit unpredictable behaviour resulting in fire, explosion or risk of injury.*
  - f) **Do not expose a battery pack or tool to fire or excessive temperature.** *Exposure to fire or temperature above 130 °C may cause explosion.*
  - g) **Follow all charging instructions and do not charge the battery pack or tool outside the temperature range specified in the instructions.** *Charging improperly or at temperatures outside the specified range may damage the battery and increase the risk of fire.*
- 6. Service**
- a) **Have your Power tool serviced by a qualified repair person using only identical replacement parts.** *This will ensure that the safety of the Power tool is maintained.*
  - b) **Never service damaged battery packs.** *Service of battery packs should only be performed by the manufacturer or authorized service providers.*
- a) **Do not use the hedge trimmer in bad weather conditions, especially when there is a risk of lightning.** *This decreases the risk of being struck by lightning.*
  - b) **Keep all power cords and cables away from cutting area.** *Power cords or cables may be hidden in hedges or bushes and can be accidentally cut by the blade.*
  - c) **Wear ear protection.** *Adequate protective equipment will reduce the risk of hearing loss.*
  - d) **Hold the hedge trimmer by insulated gripping surfaces only, because the blade may contact hidden wiring.** *Blades contacting a "live" wire may make exposed metal parts of the hedge trimmer "live" and could give the operator an electric shock.*
  - e) **Keep all parts of the body away from the blade. Do not remove cut material or hold material to be cut when blades are moving.** *Blades continue to move after the switch is turned off. A moment of inattention while operating the hedge trimmer may result in serious personal injury.*
  - f) **When clearing jammed material or servicing the hedge trimmer, make sure all power switches are off and the battery pack is removed or disconnected.** *Unexpected actuation of the hedge trimmer while clearing jammed material or servicing may result in serious personal injury.*
  - g) **Carry the hedge trimmer by the handle with the blade stopped and taking care not to operate any power switch.** *Proper carrying of the hedge trimmer will decrease the risk of inadvertent starting and resultant personal injury from the blades.*
  - h) **When transporting or storing the hedge trimmer, always use the blade cover.** *Proper handling of the hedge trimmer will decrease the risk of personal injury from the blades.*
  - i) **Check the hedges and bushes for foreign objects, e.g. wire fences and hidden wiring.**
  - j) **Hold the hedge trimmer properly, e.g. with both hands if two handles are provided.**
  - k) **The hedge trimmer is intended to be used by the operator at ground level and not on ladders or any other unstable support.**
  - l) **Before operating the hedge trimmer, the user should make sure the locking device(s) of any moving elements (e.g. the extended shaft and pivoting element), if any, are in the locked position.**
  - m) **Have any adjustable stopping mechanism maintained at regular intervals.**
  - n) **Do not lift or carry the hedge trimmer using one handle.**

# SAFETY WARNINGS FOR BATTERY PACK

- a) Do not dismantle, open or shred cells or battery pack.
- b) Do not short-circuit a battery pack. Do not store battery packs haphazardly in a box or drawer where they may short-circuit each other or be short-circuited by conductive materials. *When battery pack is not in use, keep it away from other metal objects, like paper clips, coins, keys, nails, screws or other small metal objects, that can make a connection from one terminal to another. Shorting the battery terminals together may cause burns or a fire.*
- c) Do not expose battery pack to heat or fire. Avoid storage in direct sunlight.
- d) Do not subject battery pack to mechanical shock.
- e) In the event of battery leaking, do not allow the liquid to come into contact with the skin or eyes. If contact has been made, wash the affected area with copious amounts of water and seek medical advice.
- f) Keep battery pack clean and dry.
- g) Wipe the battery pack terminals with a clean dry cloth if they become dirty.
- h) Battery pack needs to be charged before use. Always refer to this instruction and use the correct charging procedure.
- i) Do not maintain battery pack on charge when not in use.
- j) After extended periods of storage, it may be necessary to charge and discharge the battery pack several times to obtain maximum performance.
- k) Recharge only with the charger specified by Kress. Do not use any charger other than that specifically provided for use with the equipment.
- l) Do not use any battery pack which is not designed for use with the equipment.
- m) Keep battery pack out of the reach of children.
- n) Retain the original product literature for future reference.
- o) Remove the battery from the equipment when not in use.
- p) Dispose of properly.
- q) Do not mix cells of different manufacture, capacity, size or type within a device.
- r) Keep the battery away from microwaves and high pressure.
- s) Warning! Do not use non-rechargeable batteries.

- (1) This device may not cause harmful interference, and
- (2) this device must accept any interference received, including interference that may cause undesired operation.
- b) Caution: Changes or modifications to this unit not expressly approved by the party responsible for compliance could void the user's authority to operate the equipment.
- c) NOTE: This equipment generates, uses and can radiate radio frequency energy and, if not installed and used in accordance with the instructions, may cause harmful interference to radio communications. However, there is no guarantee that interference will not occur in a particular installation. If this equipment does cause harmful interference to radio or television reception, which can be determined by turning the equipment off and on, the user is encouraged to try to correct the interference by one or more of the following measures:
  - Reorient or relocate the receiving antenna.
  - Increase the separation between the equipment and receiver.
  - Connect the equipment into an outlet on a circuit different from that to which the receiver is connected.
  - Consult the dealer or an experienced radio/TV technician for help.

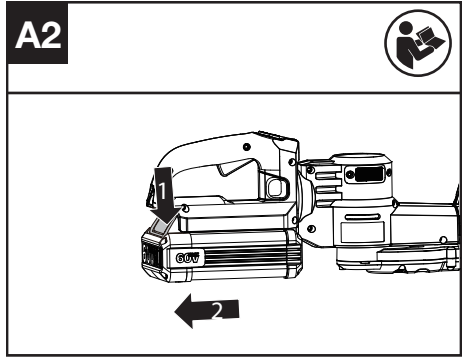
## SYMBOLS

|   |   |
|---|---|
|    | To reduce the risk of injury, user must read instruction manual |
|    | Warning   |
|  | Wear eye protection   |
|  | Wear ear protection   |
|  | Wear dust mask  |
|  | Keep hands away from blade                                      |
|  | Wear protective gloves  |

## USER MANUAL REQUIREMENTS FOR WIRELESS PRODUCT

- a) Operation of this device is subject to the following two conditions:

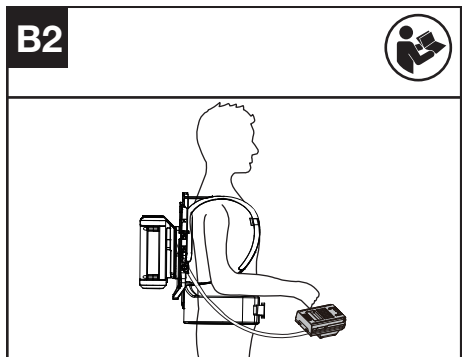
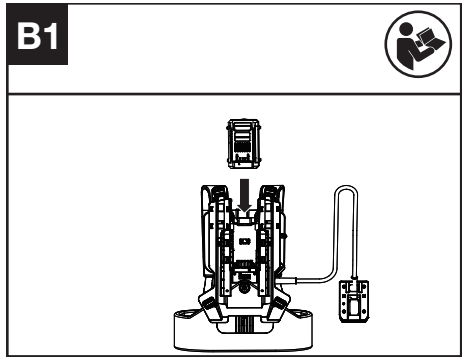
|  |   |
|--|---|
|   | Do not burn   |
|    | Batteries may enter water cycle if disposed improperly, which can be hazardous for ecosystem. Do not dispose of waste batteries as unsorted municipal waste.  |
| <br>Li-Ion<br> | Li-Ion battery This product has been marked with a symbol relating to 'separate collection' for all battery packs and battery pack. It will then be recycled or dismantled in order to reduce the impact on the environment. Battery packs can be hazardous for the environment and for human health since they contain hazardous substances. |
|    | Waste electrical products must not be disposed of with household waste. Please recycle where facilities exist. Check with your local authorities or retailer for recycling advice.  |
|    | Remove battery from the socket before carrying out any adjustment, servicing or maintenance.  |




1. Slide the battery pack into the battery compartment until you hear a click.
2. Press the battery release button to release battery pack from your tool.

**Connecting the hedge trimmer to the backpack harness (See Fig. B1,B2,B3)**

Install the battery pack into the backpack harness, put on the backpack harness. Then connect the harness with your machine. More details can be found in backpack harness's manual.

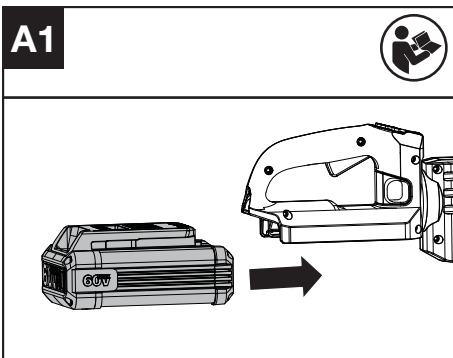


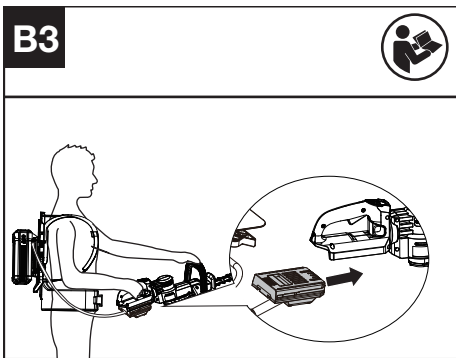
**ASSEMBLY & OPERATION**

 **NOTE:** Before using the tool, read the instruction book carefully.

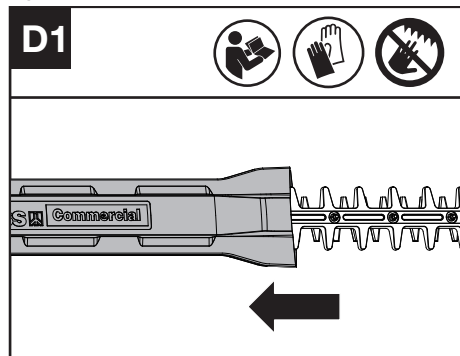
 **BEFORE OPERATION:**

**Installing & removing the battery pack (See Fig. A1,A2)**





Before usage, remove the Blade Sheath first. (See Fig. D1)



### Testing the trimmer and battery (See Fig. C)

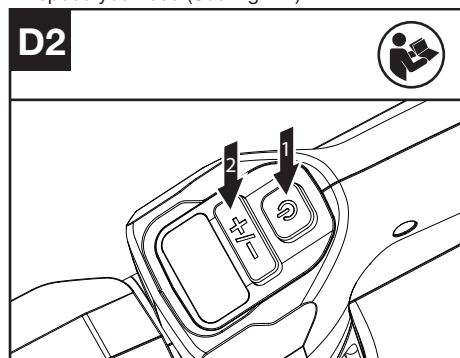
#### Checking the controls

#### Operator Presence Switch and Throttle Trigger

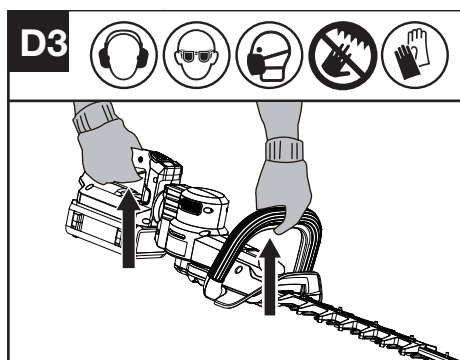
1. Remove the battery.
2. Press and release the Throttle Trigger and Operator Presence Switch. If the Throttle Trigger or the Operator Presence Switch gets stuck and cannot spring back to its original position. Stop using the trimmer and contact the service agent.

#### Choosing speed

1. Press the On/Off switch.
2. Press the Speed Control Button to choose the speed you need. (See Fig. D2)

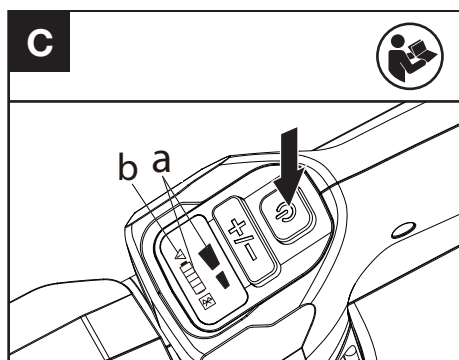


Press the Operator Presence Switch and Throttle Trigger to start. (See Fig. D3)



#### Checking the display

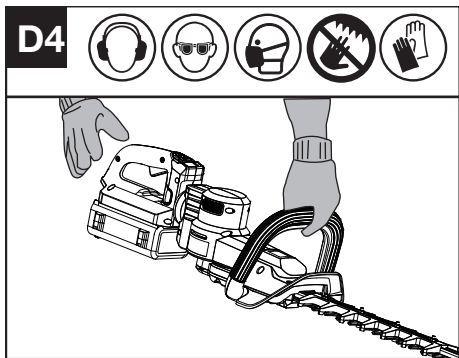
1. Insert the battery.
2. Hold and press the On / Off Switch. The product is switched on when the LED (a) is lit. The product is switched off when the LED (a) is off.
3. If the warning indicator (b) lights up or is flashing, refer to **Troubleshooting** for solutions.
4. Press the Throttle Trigger, then press the Operator Presence Switch to start the machine.
5. Release the Throttle Trigger. The Trimmer stops. If the Trimmer cannot stop, remove the battery and contact the service agent.



### OPERATION:

#### Starting and Stopping

Release the Throttle Trigger and Operator Presence Switch to stop. (See Fig. D4)

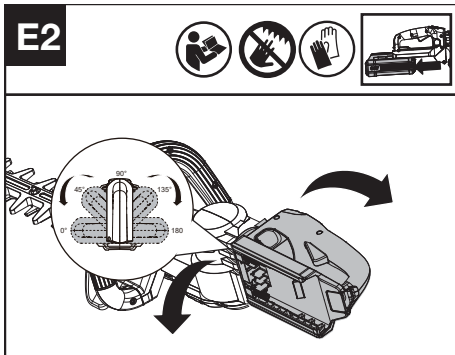
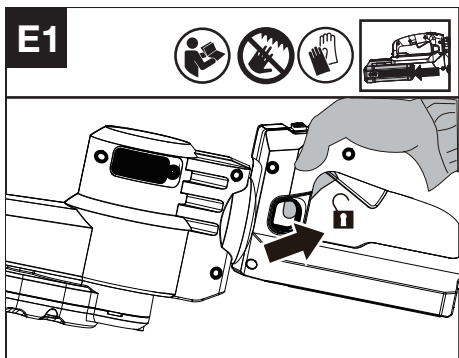


When the machine is not in use, turn the hedge trimmer off and remove the battery pack or disconnect it from the backpack harness.

### Rotating rear handle (See Fig. E1, E2)

**NOTE:** Unlock the Locking Switch before rotating. After rotating the handle to the desired position, adjust it a little until a click can be heard.

**WARNING:** Always make sure that the handle is locked in the desired position before operation. Always make sure the Locking Switch is locked before starting the hedge trimmer. Do not rotate the handle when the trimmer is being operated.



### How to Use your Hedge trimmer

Before cutting an area, inspect it first and remove any foreign objects that could become thrown or entangled in the blades. Always hold the trimmer with both hands and with the blade away from you before turning it on.

When trimming new growth, use a wide sweeping action so that the stems are fed directly into the blade.

Allow the cutting blades to reach full speed before cutting. When operating, keep the cutting blades away from people and objects such as walls, large stones, trees, vehicles, etc.

If the blade stalls, immediately stop the trimmer.

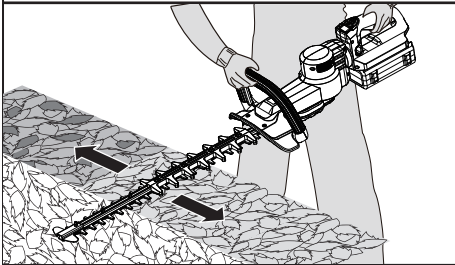
Release the two Switch Levers before attempting to clear jammed debris from the cutting blades. Wear gloves when trimming thorny or prickly growth.

Do not attempt to cut stems that are too thick for the cutting blade.

### Top cutting (See Fig. F)

Use a wide sweeping motion. A slight downward tilt of the cutting blades in the direction of motion gives the best cutting results.

**WARNING:** If any parts are missing, damaged or broken, do not operate your hedge trimmer until all damaged parts have been replaced or repaired. Failure to do so could result in serious personal injury. **DO NOT USE WITHOUT FRONT HANDLE AND SAFETY GUARD.**

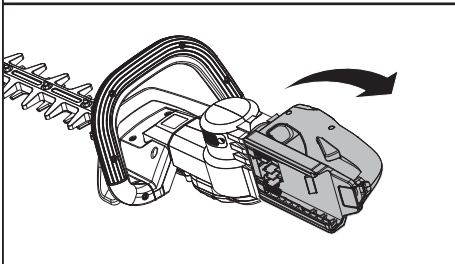
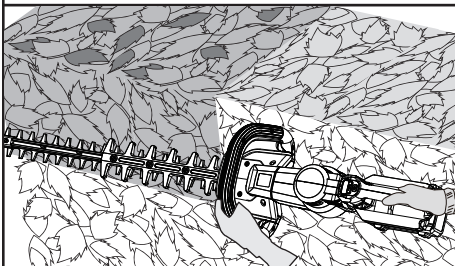
**F**

### Side cutting (See Fig.G1, G2)

When trimming the sides of the hedge, begin at the bottom and cut upwards, tapering the hedge inward at the top. This shape will expose more of the hedge, resulting in a more uniformed growth.



**WARNING:** Stop operating the trimmer before rotating the handle.

**G1****G2**

## TRANSPORTATION

### Transporting the trimmer

1. Switch off the trimmer and remove the battery.
2. When transporting your trimmer by hand, hold the middle of front handle to make sure that your machine is parallel to the ground.
3. When transporting your trimmer in a vehicle, secure and position it to prevent movement or damage.

### Transporting the battery

1. Ensure the battery is in a safe condition.
2. Use non-conductive packaging when transporting the battery.
3. The contained Li-Ion batteries are subject to the dangerous goods legislation requirements. Transport batteries only when the battery housing is undamaged. Pack up the batteries in such a manner that cannot move around in the packaging.

## MAINTENANCE



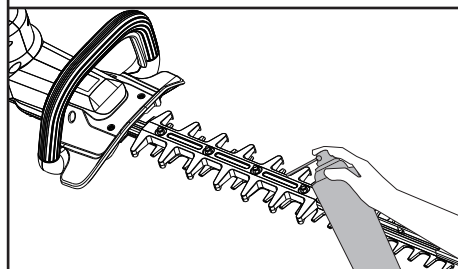
**WARNING!** Always remove battery before conducting any maintenance on the trimmer.

**Remove the battery from hedge trimmer before carrying out any adjustment, servicing or maintenance.**

There are no user serviceable parts in your Power tool. Never use water or chemical cleaners to clean your Power tool. Wipe clean with a dry cloth. Always store your Power tool in a dry place. Keep the motor ventilation slots clean. Keep all working controls free of dust.

### Lubricating the Cutting Blade (See Fig. H1)

**NOTE:** It is important to use only the recommended standard lubricating oil (e.g. WD-40) to avoid damage to the blade.

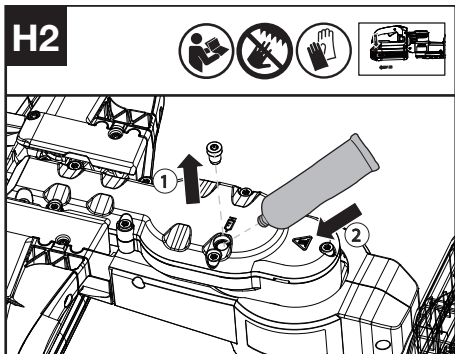
**H1**

### Lubricating the Gear Box (See Fig. H2)

Remove the screw plug from the gear housing. Lubricating the gear case through the oil-hole after every 50 hours operation.

Remove the screws from the gear box cover, and remove the cover. Lubricating after every 300 hours operation.

**NOTE:** For best operation and longer lifetime, lubricate the hedge trimmer gear case with the grease (SHELL Gadus S2 V220 1).



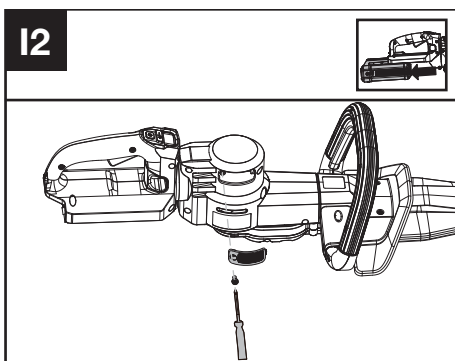
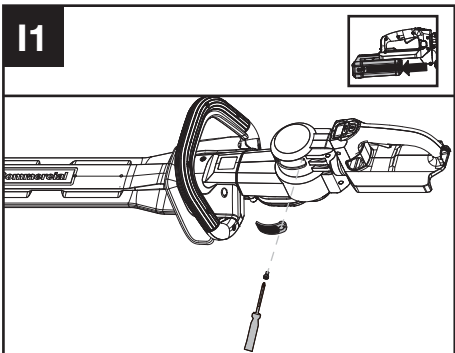
### Sharpening

**WARNING:** Do not operate your machine with dull or damaged cutting blades, which will cause overload and unsatisfactory performance. When cutting performance begins to deteriorate, please have the blade resharpened by a professional. Always wear protective gloves when handling the trimmer blade and only sharpen the cutting edge.

Only sharpen the cutting edge. Do not grind blunt projecting parts of the cutting blade or its guard. Use a whetstone to remove burr from cutting edge. After sharpening, clean away the dust from the blade in a safe manner.

### Cleaning the air filter (See Fig. I1, I2)

1. Clean the area around the air filter. Use a damp cloth or a soft brush.
2. Unscrew and remove the air filter.
3. Wash the air filter with running water to remove the dirt.
4. Allow the air filter to dry in the air. And then re-install it in the housing by tightening the screw



## CLEANING

1. Switch off the trimmer and remove the battery.
2. Do not use aggressive detergents or solvents. Clean the machine after use with a damp cloth dipped in mild detergent.
3. Keep battery connection free of dirt and debris, and clean with a soft and dry brush or cloth.
4. Do not spray water onto the motor and electrical components.
5. Do not use pressure washer to clean your machine.

## STORAGE

1. Remove the battery pack from the trimmer before storage.
2. Store the trimmer and the battery in a dry and secure place that is inaccessible to children and other unauthorized people.
3. Store the battery only within a temperature range between 5°C (41°F) and 25°C (77°F). As an example, do not leave the battery in the car in summer time.
4. If the machine becomes wet in the rain during operation, the machine and the battery should be dried before storing or charging. Remove the battery and reinsert it if the machine fails to turn on.

## FOR BATTERY TOOLS

The recommended ambient temperature range for discharging is -20°C~-45°C (-4°F~113°F).

The recommended ambient temperature range for the charging system during charging is -5°C~-45°C (23°F~113°F).

## TROUBLESHOOTING

The following table gives problems and actions that you can perform if your machine does not operate correctly.



**WARNING: Switch the machine off and remove the battery prior to any troubleshooting.**

## TRIMMER

| Problems                       | Possible Causes  | Corrective Action   |
|--------------------------------|--|---|
| Battery indicator LED flashing | Low battery voltage.   | Charge the battery.   |
| Red error LED flashing         | Overload.  | The cutting attachment is jammed, deactivate the product and then lower machine for remove.<br>Remove the battery.<br>Clean the cutting attachment from unwanted materials. |
|                                | Temperature issue.   | Let the product cool down.  |
|                                | Other problems   | Contact Service Agent   |
| The product does not start     | Debris in the battery connectors. in the battery connectors. | Clean the battery connectors with compressed air or a soft brush.   |
|                                | Other problems   | Contact Service Agent.  |
| Trimmer runs intermittently    | The battery is not fully inserted to the machine.            | Insert the battery fully.   |
|                                | Potential electrical issue.                                  | Contact Service Agent.  |
| Excessive vibrations/ noise.   | Cutting attachment issue.<br>Machine defective.              | Replace cutting attachment.<br>Contact Service Agent.   |

## BATTERY

| Problems | Possible Causes | Corrective Action |
|----------|-----------------|-------------------|
|----------|-----------------|-------------------|

|               |                           |   |
|---------------|---------------------------|---|
| Error LED lit | The battery is discharged | Charge the battery. If battery failed to charge, contact your Service Agent.  |
|               | Temperature issue.        | Use the battery in surroundings where temperatures are between -5°C and 45°C (23°F to 113°F) for charge; -20°C to 45°C (-4°F to 113°F) for discharge. |
|               | Others                    | Contact your Service Agent.   |

## TECHNICAL DATA

Type Designation: **KC201 KC201.X (201-designation of machinery, representative of cordless hedge trimmer)**

|                            | KC201 KC201.X**   |
|----------------------------|-------------------|
| Voltage                    | 60 V  MAX ***     |
| Cutting speed              | 4400/5000 SPM     |
| Blade length               | 63 cm (25")       |
| Tooth spacing              | 30 mm (1.18 inch) |
| Degree of protection       | IPX4              |
| Machine Weight (Bare tool) | 3.8 kg (8.3 lbs)  |

\*\* X=1-999,A-Z,M1-M9 they are only used for different customers, there are no safety relevant changes between these models.

\*\*\* Voltage measured without workload. Initial battery voltage reaches maximum of 60 volts. Nominal voltage is 54 volts.

## SUGGESTED BATTERIES AND CHARGERS

| Battery                        | Capacity | Charger | Amperage |
|--------------------------------|----------|---------|----------|
| KAC800                         | 4 Ah     | KAC840  | 30 A     |
| KAC810 (With Backpack Harness) | 11 Ah    |         |          |
| KA3000                         | 2.0 Ah   |         |          |


We recommend that you purchase your accessories from the same Dealer that sold you the tool. Refer to the accessory packaging for further details. Your

Dealer can assist you and offer advice.

## TECHNICAL DATA FOR BATTERY PACK (OPTIONAL)

|   |                 |
|---|-----------------|
| Frequency bands for Bluetooth           | 2400-2483.5 MHz |
| Maximum Transmitted Power for Bluetooth | 8 dBm           |

## NOISE INFORMATION

|                           |   |
|---------------------------|---|
| A weighted sound pressure | $L_{pA} = 87.48 \text{ dB(A)}$  |
| $K_{pA}$                  | 3.0 dB(A)   |
| A weighted sound power    | $L_{wA} = 95.48 \text{ dB(A)}$  |
| $K_{wA}$                  | 0.97 dB(A)  |
| Wear ear protection       |  |

## VIBRATION INFORMATION

Vibration total values (triax vector sum) determined according to EN 62841:

|                            |   |
|----------------------------|---|
| Typical weighted vibration | Rear: $a_h = 2.42 \text{ m/s}^2$<br>Front: $a_h = 2.50 \text{ m/s}^2$ |
| Uncertainty                | Rear: $K = 1.5 \text{ m/s}^2$<br>Front: $K = 1.5 \text{ m/s}^2$       |

The declared vibration total value and the declared noise emission value have been measured in accordance with a standard test method and may be used for comparing one tool with another.

The declared vibration total value and the declared noise emission value may also be used in a preliminary assessment of exposure.

**WARNING:** The vibration emission value during actual use of the Power tool can differ from the declared value depending on the ways in which the tool is used dependant on the following examples and other variations on how the tool is used:

How the tool is used and the materials being cut or drilled.

The tool being in good condition and well maintained  
The use the correct accessory for the tool and ensuring it is sharp and in good condition.

The tightness of the grip on the handles and if any anti vibration accessories are used.

And the tool is being used as intended by its design and these instructions.

**This tool may cause hand-arm vibration syndrome if its use is not adequately managed.**

**WARNING:** To be accurate, an estimation of exposure level in the actual conditions of use should also take account of all parts of the operating cycle such as the times when the tool is switched off and when it is running idle but not actually doing the job. This may significantly reduce the exposure level over the total working period.

Helping to minimise your vibration and noise exposure risk.


Always use sharp chisels, drills and blades.

Maintain this tool in accordance with these instructions and keep well lubricated (where appropriate).

If the tool is to be used regularly then invest in anti vibration and noise accessories.

Plan your work schedule to spread any high vibration tool use across a number of days.

## ENVIRONMENTAL PROTECTION

 Waste electrical products must not be disposed of with household waste. Please recycle where facilities exist. Check with your local authorities or retailer for recycling advice.

# DECLARATION OF CONFORMITY

We,  
Positec Germany GmbH  
Postfach 680194, 50704 Cologne, Germany

On behalf of Positec declare that the product  
Description **Battery-powered Hedge Trimmer**  
Type **KC201 KC201.X (201-designation of machinery, representative of Hedge Trimmer)**  
Function **Trimming hedges and brushes**

Complies with the following Directives:  
**2006/42/EC, 2014/30/EU, 2011/65/EU&(EU)2015/863, 2000/14/EC amended by 2005/88/EC**

2000/14/EC amended by 2005/88/EC:  
- Conformity Assessment Procedure as per Annex V  
- Measured Sound Power Level 95.48 dB (A)  
- Declared Guaranteed Sound Power Level 96.45 dB (A)

Standards conform to,  
**EN 62841-1, EN 62841-4-2, EN ISO 3744, EN IEC 55014-1, EN IEC 55014-2, EN IEC 63000**

EN The person authorized to compile the technical file,  
**Name: Marcel Filz**  
**Address: Positec Germany GmbH**  
**Postfach 680194, 50704 Cologne, Germany**



2024/06/19  
Allen Ding  
Deputy Chief Engineer Testing & Certification  
Positec Technology (China) Co., Ltd  
18, Dongwang Road, Suzhou Industrial  
Park, Jiangsu 215123, P. R. China

# DECLARATION OF CONFORMITY

We,  
Positec (UK & Ireland) Ltd  
PO Box 6242, Newbury, RG14 9LT, UK

On behalf of Positec declare that the product  
Description **Battery-powered Hedge Trimmer**  
Type **KC201 KC201.X (201-designation of machinery, representative of Hedge Trimmer)**  
Function **Trimming hedges and brushes**

Complies with the following regulations:  
**Supply of Machinery (Safety) Regulations 2008**  
**Electromagnetic Compatibility Regulations 2016**  
**The Restriction of the Use of Certain Hazardous Substances in Electrical and Electronic Equipment Regulations**  
**Noise Emission in the Environment by Equipment for Use Outdoors Regulations**

- Conformity Assessment Procedure as per **SCHEDULE 8**
- Measured Sound Power Level 95.48 dB (A)
- Declared Guaranteed Sound Power Level 96.45 dB (A)

Standards conform to,  
**BS EN 62841-1, BS EN 62841-4-2, BS EN ISO 3744, BS EN IEC 55014-1, BS EN IEC 55014-2, BS EN IEC 63000**

The person authorized to compile the technical file,  
**Name Jim Kirkwood**  
**Address Positec (UK & Ireland) Ltd,**  
**PO Box 6242, Newbury, RG14 9LT, UK**



2024/06/19  
Allen Ding  
Deputy Chief Engineer Testing & Certification  
Positec Technology (China) Co., Ltd  
18, Dongwang Road, Suzhou Industrial Park, Jiangsu 215123, P. R. China

# INHALTSVERZEICHNIS

|                            |    |
|----------------------------|----|
| Einführung.....            | 16 |
| Komponenten.....           | 17 |
| Produktsicherheit.....     | 18 |
| Montage und Bedienung..... | 22 |
| Transport.....             | 25 |
| Wartung .....              | 25 |
| Reinigung.....             | 26 |
| Aufbewahrung.....          | 26 |
| Problembehandlung.....     | 26 |
| Technische Daten.....      | 27 |
| <b>D</b> Umweltschutz..... | 28 |
| Konformitätserklärung..... | 29 |

## EINFÜHRUNG

Sehr geehrter Kunde,

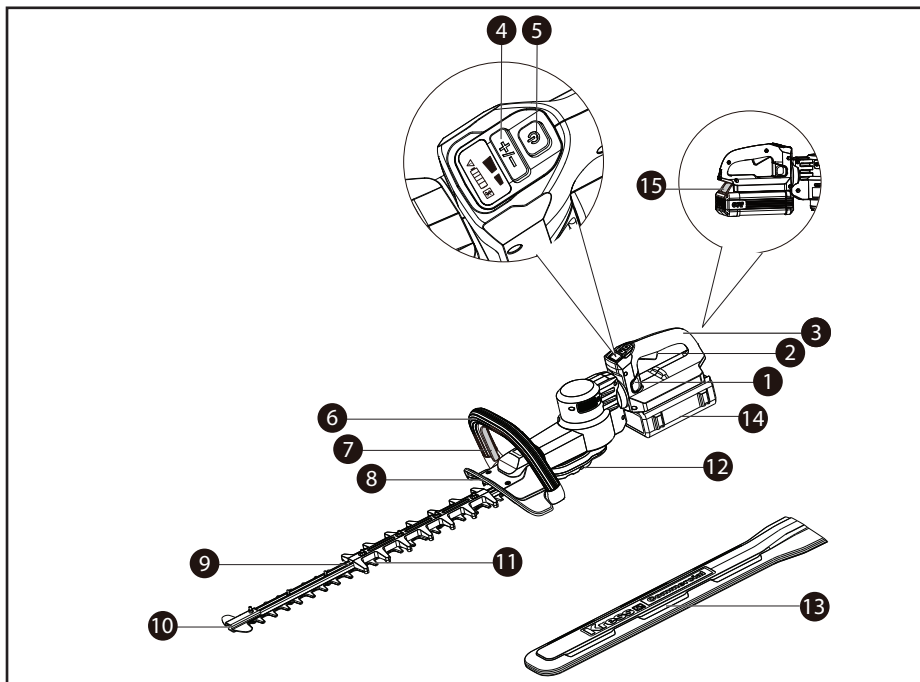
Vielen Dank, dass Sie dieses Kress Commercial-Produkt gekauft haben. Wir sind bestrebt, qualitativ hochwertige Produkte zu entwickeln, die Ihren Anforderungen im gewerblichen Landschaftsbau gerecht werden.

Die Marke Kress steht für erstklassigen Service. Wenn Sie im Laufe der Jahre Fragen oder Bedenken zu Ihrem Produkt haben, wenden Sie sich bitte an Ihren Händler oder an unser Kundendienstteam, um Hilfe zu erhalten.

Wir sind zuversichtlich, dass Sie in den kommenden Jahren die Arbeit mit Ihrem Kress-Produkt genießen werden.

## BESTIMMUNGSGEMÄSSER GEBRAUCH

Dieses Gerät ist für das Schneiden und Trimmen von Hecken und Sträuchern im leichten und schweren gewerblichen Einsatz bestimmt.



## KOMPONENTEN

- |     |   |
|-----|---|
| 1.  | VERRIEGELUNGSSCHALTER FÜR DEN HINTEREN DREHGRIF |
| 2.  | BETÄTIGUNGSSHEBEL                               |
| 3.  | DREHBARER HINTERER GRIF                         |
| 4.  | TASTE ZUR GESCHWINDIGKEITSSTEUERUNG             |
| 5.  | EIN/AUS-SCHALTER                                |
| 6.  | HANDGRIFF ODER FÜHRUNGSGRIF                     |
| 7.  | SICHERHEITSSCHALTER (RUNDUM-SCHALTERFUNKTION)   |
| 8.  | HANDSCHUTZ                                      |
| 9.  | MESSER  |
| 10. | ANSCHLAGSCHUTZ                                  |
| 11. | HINTERER KLINGENSCHUTZ                          |
| 12. | METALL-GETRIEBEGEHÄUSE                          |
| 13. | MESSERSCHUTZHÜLLE                               |
| 14. | AKKU *  |
| 15. | AKKU-AUSLÖSER-KNOPF                             |

\* Abgebildetes oder beschriebenes Zubehör gehört teilweise nicht zum Lieferumfang.

# ORIGINALBETRIEBSANLEITUNG

## EINFÜHRUNG

### PRODUKTSICHERHEIT

#### ALLGEMEINE

#### SICHERHEITSHINWEISE

#### FÜR ELEKTROWERKZEUGE



**WARNUNG!** Machen Sie sich mit allen Sicherheitswarnungen, Anweisungen, Abbildungen und Spezifikationen vertraut, die mit diesem Elektrowerkzeug geliefert werden.

Die Nichtbeachtung der unten aufgeführten Anweisungen kann in elektrischen Schlägen, Feuer und/oder schweren Verletzungen resultieren.

**Bewahren Sie alle Sicherheitshinweise und Anweisungen für die Zukunft auf.**

Der in den Sicherheitshinweisen verwendete Begriff „Elektrowerkzeug“ bezieht sich auf akkubetriebene Elektrowerkzeuge (ohne Netzkabel).

#### 1) Arbeitsplatzsicherheit

- a) Halten Sie Ihren Arbeitsbereich sauber und gut beleuchtet. Unordnung oder unbeleuchtete Arbeitsbereiche können zu Unfällen führen.
- b) Arbeiten Sie mit dem Elektrowerkzeug nicht in explosionsgefährdeter Umgebung, in der sich brennbare Flüssigkeiten, Gase oder Stäube befinden. Elektrowerkzeuge erzeugen Funken, die den Staub oder die Dämpfe entzünden können.
- c) Halten Sie Kinder und andere Personen während der Benutzung des Elektrowerkzeugs fern. Bei Ablenkung können Sie die Kontrolle über das Gerät verlieren.

#### 2) Elektrische Sicherheit

- a) Der Anschlussstecker des Elektrowerkzeuges muss in die Steckdose passen. Der Stecker darf in keiner Weise verändert werden. Verwenden Sie keine Adapterstecker gemeinsam mit schutzgeerdeten Elektrowerkzeugen. Unveränderte Stecker und passende Steckdosen verringern das Risiko eines elektrischen Schlages.
- b) Vermeiden Sie Körperkontakt mit geerdeten Oberflächen wie von Rohren, Heizungen, Herden und Kühlschränken. Es besteht ein erhöhtes Risiko durch elektrischen Schlag, wenn Ihr Körper geerdet ist.
- c) Betreiben Sie das Gerät nicht bei Regen oder bei Nässe. Dies kann das Risiko eines Stromschlags erhöhen. Wenn das Gerät beim Betrieb im Regen nass geworden ist, sollten Sie es und den Akku vor dem Lagern oder Laden trocknen. Nehmen Sie den Akku heraus und setzen Sie ihn wieder ein, wenn sich das Gerät nicht einschalten lässt. Halten Sie den Akkuanschluss frei von Schmutz und

Ablagerungen und reinigen Sie ihn mit einer weichen und trockenen Bürste oder einem Tuch.

- d) Zweckfremden Sie das Kabel nicht, um das Elektrowerkzeug zu tragen, aufzuhängen oder um den Stecker aus der Steckdose zu ziehen. Halten Sie das Kabel fern von Hitze, Öl, scharfen Kanten oder sich bewegendem Geräteteilen. Beschädigte oder verwickelte Kabel erhöhen das Risiko eines elektrischen Schlages.
- e) Wenn Sie mit einem Elektrowerkzeug im Freien arbeiten, verwenden Sie nur Verlängerungskabel, die auch für den Außenbereich geeignet sind. Die Anwendung eines für den Außenbereich geeigneten Verlängerungskabels verringert das Risiko eines elektrischen Schlages.
- f) Wenn der Betrieb des Elektrowerkzeuges in feuchter Umgebung nicht vermeidbar ist, verwenden Sie einen Fehlerstromschutzschalter. Der Einsatz eines Fehlerstromschutzschalters vermindert das Risiko eines elektrischen Schlages.

#### 3) Sicherheit von Personen

- a) Seien Sie aufmerksam, achten Sie darauf, was Sie tun, und gehen Sie mit Vernunft an die Arbeit mit einem Elektrowerkzeug. Benutzen Sie kein Elektrowerkzeug, wenn Sie müde sind oder unter dem Einfluss von Drogen, Alkohol oder Medikamenten stehen. Ein Moment der Unachtsamkeit beim Gebrauch des Elektrowerkzeuges kann zu ernsthaften Verletzungen führen.
- b) Tragen Sie persönliche Schutzausrüstung und immer eine Schutzbrille. Das Tragen persönlicher Schutzausrüstung, wie Staubmaske, rutschfeste Sicherheitsschuhe, Schutzhelm oder Gehörschutz, je nach Art und Einsatz des Elektrowerkzeuges, verringert das Risiko von Verletzungen.
- c) Vermeiden Sie eine unbeabsichtigte Inbetriebnahme. Vergewissern Sie sich, dass das Elektrowerkzeug ausgeschaltet ist, bevor Sie es an den Akku anschließen, es aufnehmen oder tragen. Wenn Sie beim Tragen des Elektrowerkzeuges den Finger am Schalter haben oder das Gerät eingeschaltet an die Stromversorgung anschließen, kann dies zu Unfällen führen.
- d) Entfernen Sie Einstellwerkzeuge oder Schraubenschlüssel, bevor Sie das Elektrowerkzeug einschalten. Ein Werkzeug oder Schlüssel, der sich in einem drehenden Geräteteil befindet, kann zu Verletzungen führen.
- e) Vermeiden Sie eine abnormale Körperhaltung. Sorgen Sie für einen sicheren Stand und halten Sie jederzeit das Gleichgewicht. Dadurch können Sie das Elektrowerkzeug in unerwarteten Situationen besser kontrollieren.
- f) Tragen Sie geeignete Kleidung. Tragen Sie keine weite Kleidung oder Schmuck. Halten Sie Haare und Kleidung fern von

sich bewegenden Teilen. Lockere Kleidung, Schmuck oder lange Haare können von sich bewegenden Teilen erfasst werden.

- g) **Wenn Staubabsaug- und -auffangeinrichtungen montiert werden können, vergewissern Sie sich, dass diese angeschlossen sind und richtig verwendet werden.** Verwendung einer Staubabsaugung kann Gefährdungen durch Staub verringern.
- h) **Vermeiden Sie, durch die häufige Nutzung des Werkzeugs in einen Trott zu verfallen und Prinzipien für die Werkzeugsicherheit zu ignorieren.** Eine unachtsame Aktion kann im Bruchteil einer Sekunde zu schweren Verletzungen führen.
- 4) **Verwendung und Behandlung des Elektrowerkzeuges**
- a) **Überlasten Sie das Gerät nicht. Verwenden Sie für Ihre Arbeit das dafür bestimmte Elektrowerkzeug.** Mit dem passenden Elektrowerkzeug arbeiten Sie besser und sicherer im angegebenen Leistungsbereich.
- b) **Benutzen Sie kein Elektrowerkzeug, dessen Schalter defekt ist.** Ein Elektrowerkzeug, das sich nicht mehr ein- oder ausschalten lässt, ist gefährlich und muss repariert werden.
- c) **Entfernen Sie den Akku, bevor Sie Geräteeinstellungen vornehmen, Zubehörteile wechseln oder das Gerät weglegen.** Diese Vorsichtsmaßnahme verhindert den unbeabsichtigten Start des Elektrowerkzeuges.
- d) **Bewahren Sie unbenutzte Elektrowerkzeuge außerhalb der Reichweite von Kindern auf. Lassen Sie Personen das Gerät nicht benutzen, die mit diesem nicht vertraut sind oder diese Anweisungen nicht gelesen haben.** Elektrowerkzeuge sind gefährlich, wenn Sie von unerfahrenen Personen benutzt werden.
- e) **Pflegen Sie Elektrowerkzeuge mit Sorgfalt.** Kontrollieren Sie, ob bewegliche Teile einwandfrei funktionieren und nicht klemmen, ob Teile gebrochen oder so beschädigt sind, dass die Funktion des Elektrowerkzeuges beeinträchtigt ist. Lassen Sie beschädigte Teile vor dem Einsatz des Gerätes reparieren. Viele Unfälle haben ihre Ursache in schlecht gewarteten Elektrowerkzeugen.
- f) **Halten Sie Schneidwerkzeuge scharf und sauber.** Sorgfältig gepflegte Schneidwerkzeuge mit scharfen Schneidkanten verklemmen sich weniger und sind leichter zu führen.
- g) **Verwenden Sie Elektrowerkzeug, Zubehör, Einsatzwerkzeuge usw. entsprechend diesen Anweisungen.** Berücksichtigen Sie dabei die Arbeitsbedingungen und die auszuführende Tätigkeit. Der Gebrauch von Elektrowerkzeugen für andere als die vorgesehenen Anwendungen kann zu gefährlichen Situationen führen.
- h) **Halten Sie die Griffe trocken, sauber und frei von Öl und Fett.** Rutschige Griffe und Oberflächen unterbinden die sichere Bedienbarkeit und Kontrolle über das Werkzeug

in unerwarteten Situationen.

- 5) **Verwendung und Behandlung des Akkuwerkzeuges**
- a) **Laden Sie die Akkus nur in Ladegeräten auf, die vom Hersteller empfohlen werden.** Für ein Ladegerät, das für eine bestimmte Art von Akku geeignet ist, besteht Brandgefahr, wenn es mit anderen Akkus verwendet wird.
- b) **Verwenden Sie nur die dafür vorgesehenen Akkus in den Elektrowerkzeugen.** Der Gebrauch von anderen Akkus kann zu Verletzungen und Brandgefahr führen.
- c) **Halten Sie den nicht benutzten Akku fern von Büroklammern, Münzen, Schlüsseln, Nägeln, Schrauben oder anderen kleinen Metallgegenständen, die eine Überbrückung der Kontakte verursachen könnten.** Ein Kurzschluss zwischen den Akkukontakten kann Verbrennungen oder Feuer zur Folge haben.
- d) **Bei falscher Anwendung kann Flüssigkeit aus dem Akku austreten. Vermeiden Sie den Kontakt damit. Bei zufälligem Kontakt mit Wasser abspülen.** Wenn die Flüssigkeit in die Augen kommt, nehmen Sie zusätzlich ärztliche Hilfe in Anspruch. Austretende Akkufflüssigkeit kann zu Hautreizungen oder Verbrennungen führen.
- e) **Verwenden Sie kein Akkupack oder Werkzeug, das beschädigt ist.** Beschädigte oder modifizierte Akkus können unvorhersehbare Reaktionen auslösen und zu Bränden, Explosionen oder Verletzungen führen.
- f) **Setzen Sie das Akkupack oder Werkzeug keinem Feuer oder übermäßig hohen Temperaturen aus.** Die Belastung durch Feuer oder Temperaturen über 130 °C kann zur Explosion führen.
- g) **Befolgen Sie alle Ladeanweisungen, und laden Sie das Akkupack oder Werkzeug nicht außerhalb des in den Anweisungen festgelegten Temperaturbereichs auf.** Ein unsachgemäßer Ladevorgang oder Temperaturen außerhalb des festgelegten Bereichs können den Akku schädigen und die Brandgefahr erhöhen.
- 6) **Service**
- a) **Lassen Sie Ihr Elektrowerkzeug nur von qualifiziertem Fachpersonal und nur mit Original-Ersatzteilen reparieren.** Damit wird sichergestellt, dass die Sicherheit des Gerätes erhalten bleibt.
- b) **Führen Sie niemals Wartungsarbeiten an beschädigten Akkus durch.** Die Wartung von Akkupacks darf nur vom Hersteller selbst oder autorisierten Dienstleistern durchgeführt werden.

# SICHERHEITSHINWEISE FÜR DIE HECKENSCHERE:

- a) Verwenden Sie die Heckenschere nicht bei schlechten Witterungsbedingungen, insbesondere bei Blitzschlaggefahr. *dadurch verringert sich das Risiko, vom Blitz getroffen zu werden.*
- b) Halten Sie alle Netzkabel und Leitungen vom Schneidbereich fern. *Stromkabel oder Leitungen können in Hecken oder Büschen versteckt sein und versehentlich vom Messer geschnitten werden.*
- c) Tragen Sie Gehörschutz. *Eine ausreichende Schutzausrüstung verringert das Risiko von Hörverlust.*
- d) Halten Sie das Werkzeug nur an den isolierten griffigen Oberflächen, wenn Sie einen Einsatz durchführen, bei dem Schneidwerkzeuge eventuell versteckte Kabel berühren könnten. *Berührung mit einem unter Strom stehenden Kabel kann auch die Metallteile des Gerätes unter Strom setzen und dem Bedienenden einen Stromschlag versetzen.*
- e) Halten Sie alle Körperteile fern von der Schneide des Sägeblatts. *Wenn sich das Sägeblatt bewegt, dürfen Sie bereits geschnittene Gegenstände nicht entfernen oder zu schneidende Gegenstände festhalten. Die Klingen bewegen sich weiter, nachdem der Schalter ausgeschaltet wurde. Ist die Heckenschere in Betrieb, braucht man nur einen Augenblick unaufmerksam zu sein, um schwere Körperverletzungen zu verursachen.*
- f) Wenn Sie eingeklemmtes Material beseitigen oder das Gerät warten, stellen Sie sicher, dass alle Geräteschalter ausgeschaltet sind und der Akku-Pack entfernt oder abgeklemmt wurde. *Unerwartetes Betätigen der Heckenschere beim Beseitigen von eingeklemmtem Material oder bei Wartungsarbeiten kann zu schweren Verletzungen führen.*
- g) Tragen Sie die Heckenschere am Griff bei angehaltenem Sägeblatt und achten Sie darauf, dass Sie keinen Geräteschalter betätigen. *Sachgemäßer Umgang mit der Heckenschere verringert die Wahrscheinlichkeit von Körperverletzungen durch das Sägeblatt.*
- h) Bringen Sie bei Transport oder Lagerung der Heckenschere immer die Messerabdeckung an. *Die richtige Handhabung der Heckenschere verringert die Gefahr von Verletzungen durch die Messer.*
- i) Überprüfen Sie die Hecken und Büsche auf Fremdkörper, z. B. Drahtzäune und versteckte Leitungen.
- j) Halten Sie die Heckenschere richtig, z. B. mit beiden Händen, wenn zwei Griffe vorhanden sind.
- k) Die Heckenschere ist für die Verwendung durch den Bediener am Boden und nicht auf Leitern oder anderen instabilen Stützen vorgesehen.

- l) Vor dem Betrieb der Heckenschere sollte sich der Benutzer vergewissern, dass die Verriegelungsvorrichtung(en) aller beweglichen Elemente (z. B. der verlängerte Schaft und das Schwenkelement), falls vorhanden, in der verriegelten Position sind.
- m) Lassen Sie einstellbare Stoppvorrichtungen in regelmäßigen Abständen warten.
- n) Heben oder tragen Sie den Heckenschneider nicht an einem Griff.












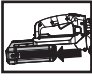
# BATTERIESICHERHEIT SICHERHEIT HINWEISE FÜR AKKUPACK

- a) Zellen bzw. Akkupack nicht zerlegen, öffnen oder mutwillig zerstören.
- b) Akkupack nicht kurzschließen. Akkupacks nicht wahllos in einer Schachtel oder Schublade aufbewahren, wo sie einander kurzschließen oder durch andere leitfähige Materialien kurzgeschlossen werden könnten. Bei Nichtverwendung des Akkupacks ist dieses von Metallgegenständen fernzuhalten, wie etwa Büroklammern, Münzen, Nägeln, Schrauben oder anderen kleinen Metallgegenständen, wo sich die Batterieklammern berühren könnten. Das Kurzschließen der Batterieklammern kann Verbrennungen bzw. einen Brand verursachen.
- c) Zellen bzw. Akkupacks nicht Hitze oder Feuer aussetzen. Lagerung in direktem Sonnenlicht vermeiden.
- d) Akkupack nicht mechanischen Stößen aussetzen.
- e) Im Fall, dass Flüssigkeit aus dem Akku austritt, darf diese nicht in Kontakt mit der Haut oder den Augen kommen. Sollte dies dennoch geschehen, den betroffenen Bereich sofort mit viel Wasser spülen und einen Arzt aufsuchen.
- f) Akkupack sauber und trocken halten.
- g) Sollten die Klammern des Akkupacks schmutzig werden, diese mit einem sauberen, trockenen Tuch abwischen.
- h) Trennen vor Gebrauch aufgeladen werden. Beachten Sie die Gebrauchsanweisungen des Ladegerätes.
- i) Akkupack bei Nichtverwendung nicht im Ladegerät aufbewahren.
- j) Nach längerer Lagerung doppelt des Akkus ist es eventuell notwendig den Akkupack mehrere Male aufzuladen und zu entladen, um eine optimale Leistung zu erhalten.
- k) Nur mit dem von Kress bezeichneten Ladegerät aufladen. Kein Ladegerät verwenden, das nicht ausdrücklich für den Gebrauch mit dem Gerät vorgesehen ist.
- l) Kein Akkupack verwenden, das nicht für den Gebrauch mit dem Gerät vorgesehen ist.
- m) Akkupacks von Kindern fernhalten.
- n) Die originalen Produktunterlagen zum späteren Nachschlagen aufbewahren.

- o) Den Akku bei Nichtverwendung aus dem Gerät nehmen.
- p) Ordnungsgemäß entsorgen.
- q) Verwenden Sie keine Akkupacks anderer Hersteller, Größe oder Typen.
- r) Halten Sie den Akku von Mikrowellen und hohem Druck fern.
- s) Achtung! Verwenden Sie keine Einwegbatterien.

## ANFORDERUNGEN AN DIE BEDIENUNGSANLEITUNG FÜR AKKUBETRIEBENE GERÄTE

- a) Der Betrieb dieses Geräts unterliegt den folgenden zwei Bedingungen:  
(1) Dieses Gerät darf keine schädlichen Interferenzen verursachen und  
(2) dieses Gerät muss störsignalfest sein, einschließlich der Störungen, die einen unerwünschten Betrieb verursachen können.
- b) Achtung: Änderungen oder Modifikationen an diesem Gerät, die nicht ausdrücklich von der für die Einhaltung der Vorschriften verantwortlichen Partei genehmigt wurden, können dazu führen, dass der Benutzer die Berechtigung zum Betrieb des Geräts verliert.
- c) HINWEIS: Dieses Gerät verursacht und verwendet Hochfrequenzenergie und kann diese ausstrahlen. Falls es nicht entsprechend den Anweisungen installiert und verwendet wird, kann es störende Interferenzen beim Funkverkehr hervorrufen. Es gibt jedoch keine Garantie, dass in einer bestimmten Installation keine Störungen auftreten. Falls dieses Gerät Störungen des Radio- oder Fernsehempfangs verursacht, was durch Ein- und Ausschalten des Geräts festgestellt werden kann, sollte der Nutzer versuchen, die Störungen durch eine oder mehrere der folgenden Maßnahmen zu beheben:
  - Richten Sie die Empfangsantenne neu aus oder verlegen Sie sie.
  - Vergrößern Sie den Abstand zwischen dem Gerät und dem Empfänger.
  - Schließen Sie das Gerät an einen anderen Stromkreis an als den, an den der Empfänger angeschlossen ist.
  - Wenden Sie sich an den Händler oder einen erfahrenen und geschulten Radio/TV-Fachmann, um Hilfe zu bekommen.


|   |   |
|---|---|
|   | WARNUNG   |
|    | Tragen Sie eine Schutzbrille  |
|    | Tragen Sie einen Gehörschutz  |
|    | Tragen Sie eine Staubmaske  |
|    | Hände vom Messerblatt fernhalten  |
|    | Schutzhandschuhe tragen   |
|    | Nicht verbrennen  |
|    | Wenn die Akkus unsachgemäß behandelt wird, kann sie in den Wasserkreislauf gelangen und das Ökosystem schädigen. Entsorgen Sie verbrauchte Akkus nicht über den Hausmüll.   |
| <br>Li-Ion<br> | Li-Ion-Akku Dieses Produkt wurde mit einem Symbol 'getrennte Sammlung' für alle Akkupacks und Akkupack gekennzeichnet. Diese Abfälle werden dann recycelt oder demontiert, um die Umweltbelastung zu verringern. Akkupacks können schädlich für die Umwelt und die menschliche Gesundheit sein, da sie schädliche Substanzen enthalten. |
|    | Elektroprodukte dürfen nicht mit dem normalen Hausabfall entsorgt werden, sondern sollten nach Möglichkeit zu einer Recyclingstelle gebracht werden. Ihre zuständigen Behörden oder Ihr Fachhändler geben Ihnen hierzu gerne Auskunft.  |
|    | Nehmen sie den akku heraus, bevor sie Großschreibung vornehmen.   |

## SYMBOLE



Zur Reduzierung der Verletzungsgefahr bitte die Bedienungsanleitung durchlesen

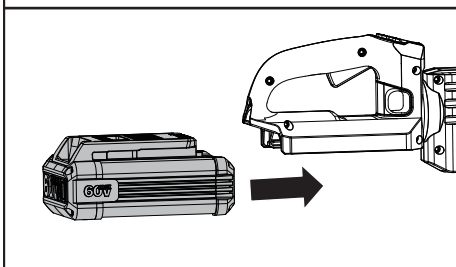
# MONTAGE UND BEDIENUNG

 **HINWEIS:** Lesen Sie das Handbuch vor Inbetriebnahme des Werkzeuges sorgfältig durch.

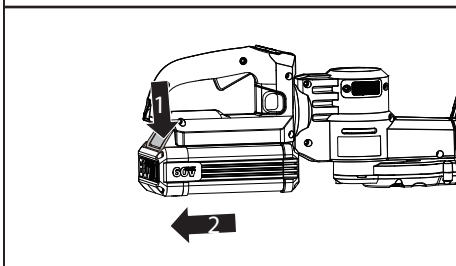
 **VOR INBETRIEBNAHME:**

**Anbringen und Entfernen des Akkus**  
(siehe Abb. A1,A2)

**A1**



**A2**

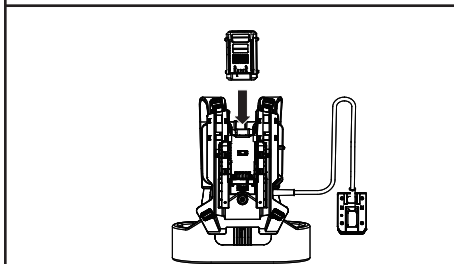


1. Schieben Sie das Akkupack in das Akkufach, bis Sie ein Klicken hören.
2. Drücken Sie den Auslöseknopf für den Akku, um das Akkupack von Ihrem Werkzeug zu entnehmen.

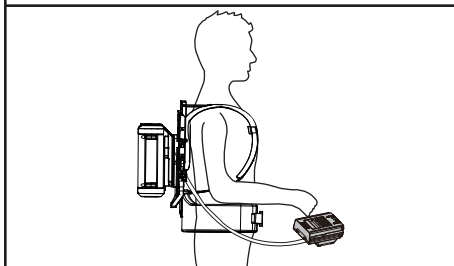
**Anschließen der Heckenschere an das Rucksack-Gurtzeug** (siehe Abb. B1,B2,B3)

Setzen Sie den Akku in das Rucksack-Gurtzeug ein und stecken Sie dann den Stecker in die Maschine ein. Legen Sie das Rucksack-Gurtzeug an. Weitere Informationen dazu finden Sie im Handbuch des Rucksack-Gurtzeugs.

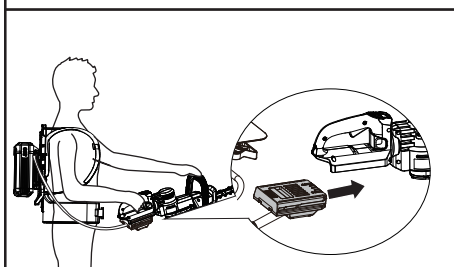
**B1**



**B2**



**B3**



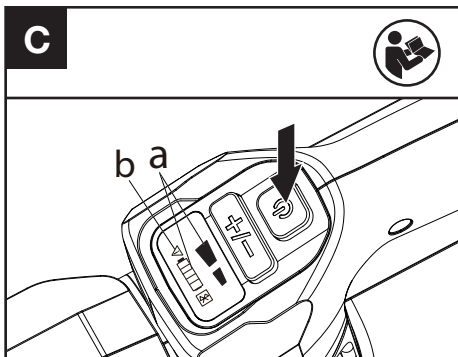
**Testen von Heckenschere und Akku** (siehe Abb. C)

**Überprüfung des vorderen und hinteren Schalthebels**

1. Entfernen Sie den Akku.
2. Drücken Sie den vorderen und hinteren Schalthebel und lassen Sie ihn los. Wenn der hintere Schalthebel oder der vordere Schalthebel klemmt und nicht in seine ursprüngliche Position zurückspringen kann, verwenden Sie die Heckenschere nicht mehr und wenden Sie sich an den Kundendienst.

## Überprüfung der Anzeige

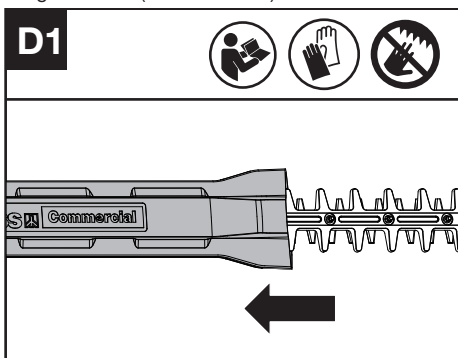
1. Setzen Sie den Akku ein.
2. Halten Sie den Ein/Aus-Schalter gedrückt. Das Produkt ist eingeschaltet, wenn die LED(a) leuchtet. Das Produkt ist ausgeschaltet, wenn die LED(a) aus ist.
3. Wenn die Warnanzeige (b) leuchtet oder blinkt, finden Sie unter **Fehlerbehebung** eine Lösung.
4. Drücken Sie den vorderen Schalthebel und dann den hinteren Schalthebel, um das Gerät zu starten.
5. Lassen Sie den hinteren Schalthebel los. Die Heckenschere stoppt. Wenn die Heckenschere nicht anhalten kann, entfernen Sie den Akku und wenden Sie sich an den Kundendienst.



## BETRIEB:

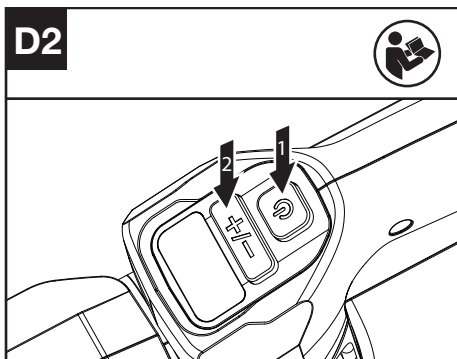
### Ein- / Ausschalten

Entfernen Sie vor der Verwendung zuerst den Klingenschutz. (siehe Abb. D1)

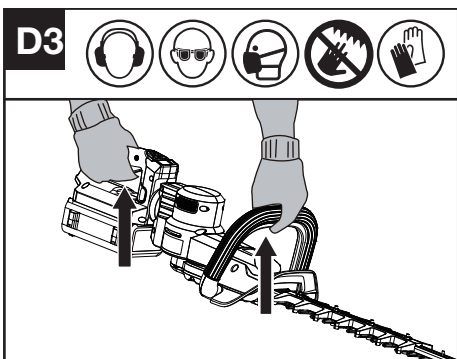


### Geschwindigkeit wählen

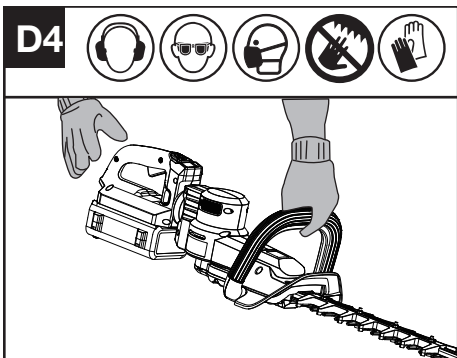
1. Drücken Sie den Ein/Aus-Schalter.
2. Drücken Sie die Geschwindigkeitstaste, um die gewünschte Geschwindigkeit einzustellen. (siehe Abb. D2)



Drücken Sie zum Starten den vorderen und hinteren Schalthebel. (siehe Abb. D3)



Lassen Sie den hinteren und den vorderen Schalthebel los, um zu stoppen. (siehe Abb. D4)



Wenn die Maschine nicht benutzt wird, schalten Sie die Heckenschere aus und trennen Sie sie vom Rucksack-Gurtzeug ab.

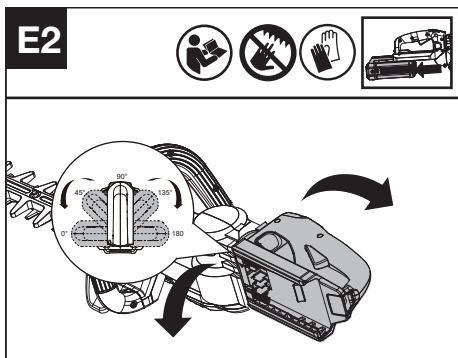
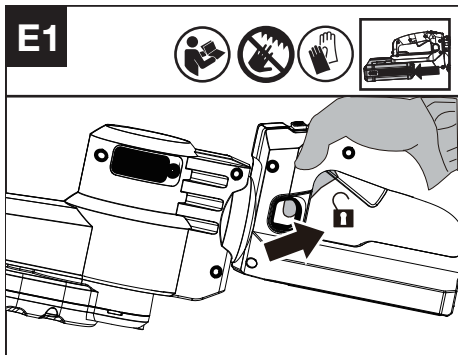
### Drehbarer hinterer Griff (siehe Abb. E1, E2)

**HINWEIS:** Entriegeln Sie vor dem Drehen den Arretierungsschalter.

Wenn Sie den Griff in die gewünschte Position gedreht haben, justieren Sie ihn, bis ein Klickton zu

hören ist.

**! WARNUNG:** Vergewissern Sie sich vor dem Betrieb stets, dass der Griff in der gewünschten Position arretiert ist. Vergewissern Sie sich vor dem Starten der Heckenschere stets, dass der Arretierungsschalter verriegelt ist. Drehen Sie den Griff nicht, während die Heckenschere eingesetzt wird.



### Das Arbeiten mit der Heckenschere

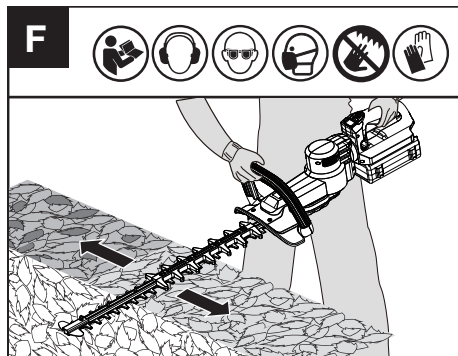
Sie haben damit viele Möglichkeiten, um eine komfortable Griffhaltung zu erhalten. Inspizieren Sie vor Gebrauch die zu schneidende Fläche und entfernen Sie alle Fremdoobjekte, die sich im Messer verfangen könnten. Halten Sie die Heckenschere immer mit zwei Händen, mit dem Messer von Ihnen abgewendet, bevor Sie das Gerät einschalten. Führen Sie die Messer bei jungen Zweigen gleichmäßig hin und her, so dass die Zweige direkt in die Messer gezogen werden. Lassen Sie die Messer auf volle Geschwindigkeit kommen, bevor Sie mit dem Schneiden beginnen. Halten Sie beim Betrieb die Messer von Personen und Objekten wie Wänden, großen Steinen, Bäumen, Fahrzeugen, usw. fern. Sofort ausschalten, falls die Messer blockieren. Entfernen Sie den Akku und beseitigen Sie die Blockierung. Kontrollieren Sie die Messer, und lassen Sie sie bei Bedarf reparieren oder ersetzen.

Tragen Sie beim Arbeiten an stacheligen oder dornigen Hecken Handschuhe. Versuchen Sie nicht, zu starke Zweige zu schneiden.

### Schneiden der Oberseite (siehe Abb. F)

Bewegen Sie die Messer gleichmäßig hin und her. Optimale Ergebnisse erzielen Sie, wenn Sie die Messer ein wenig in Schnittrichtung neigen.

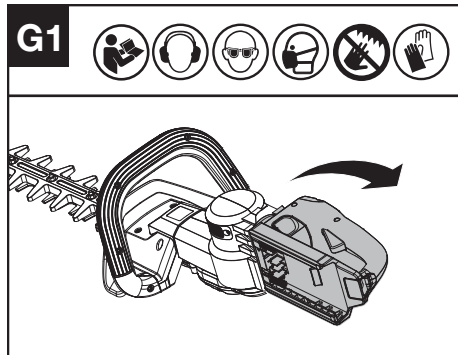
**! WARNUNG:** Falls irgendwelche Teile fehlen, beschädigt oder defekt sind, betreiben Sie die Heckenschere nicht, bis alle Teile ersetzt oder repariert wurden. Die Nichteinhaltung kann zu schweren Verletzungen führen. **NICHT OHNE VORDEREN GRIFF UND SCHUTZVORRICHTUNG VERWENDEN.**

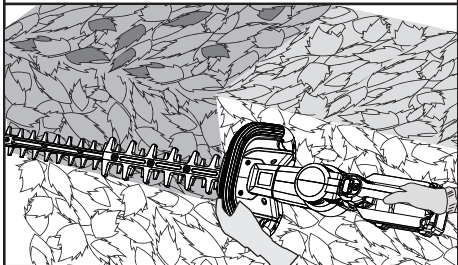


### Schneiden der Seitenflächen (siehe Abb. G1, G2)

Beginnen Sie beim Schneiden der Seitenflächen unten und schneiden Sie aufwärts, wobei Sie die Hecke nach oben etwas verjüngen. Diese Form bringt die Hecke besser zur Geltung und lässt sie gleichmäßiger wachsen.

**! WARNUNG:** Stellen Sie den Betrieb der Heckenschere ein, bevor Sie den Griff drehen.



**G2**

## TRANSPORT

### Transportieren der Heckenschere

1. Schalten Sie die Heckenschere aus und nehmen Sie das Akkupack heraus.
2. Sollten Sie Ihre Heckenschere in der Hand tragen halten Sie die Heckenschere möglichst in der Mitte des vorderen Griffs fest und drehen Sie das Messer nach hinten.
3. Sollten Sie Ihre Heckenschere in einem Fahrzeug transportieren, sichern und positionieren Sie sie so, dass sie weder verrutschen noch beschädigt werden kann.

### Transportieren des Akkupacks

1. Stellen Sie sicher, dass sich das Akkupack in einem für den Transport sicheren Zustand befindet.
2. Ist dies der Fall, verpacken Sie das Akkupack mit einem nicht leitenden Verpackungsmaterial.
3. Die in dem Akkupack enthaltenen Lithium-Ionen-Akkuzellen unterliegen den für Gefahrgut geltenden Gesetzen und Rechtsvorschriften. Transportieren Sie Akkupacks nur, wenn deren Gehäuse keinerlei Beschädigungen aufweisen. Verpacken Sie die Akkupacks stets so, dass sie sich in der Verpackung nicht bewegen können.

## WARTUNG



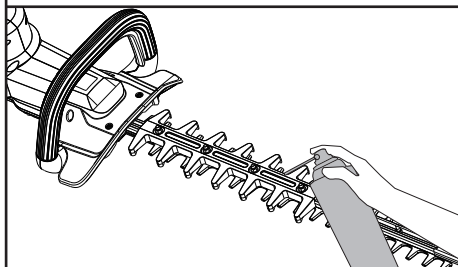
**WARNUNG!** Entfernen Sie immer den Akku bevor Sie Wartungsarbeiten an der Heckenschere durchführen!

**Entfernen Sie den Akku aus der Heckenschere, bevor Sie Einstellungen vornehmen oder Wartungsarbeiten durchführen.**

Es enthält keine Teile, die Sie warten müssen. Reinigen Sie Ihr Werkzeug niemals mit Wasser oder chemischen Lösungsmitteln. Wischen Sie es mit einem trockenen Tuch sauber. Lagern Sie Ihr Werkzeug immer an einem trockenen Platz. Sorgen Sie dafür, dass bei staubigen Arbeiten die Lüftungsöffnungen frei sind. Halten Sie alle Bedienelemente staubfrei.

### Pflege der Messer (siehe Abb. H1)

**HINWEIS:** Es ist wichtig, dass nur das empfohlene Standardschmieröl verwendet wird (WD-40), um Schäden an der Klinge zu vermeiden.

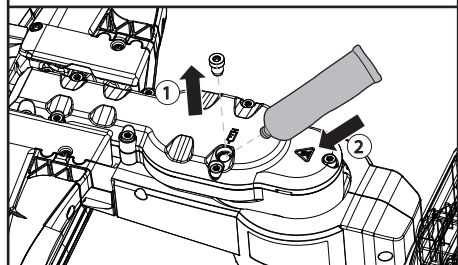
**H1**

### Schmieren des Getriebes (siehe Abb. H2)

Entfernen Sie die Verschlusschraube aus dem Getriebegehäuse. Schmieren Sie das Getriebegehäuse nach jeweils 50 Betriebsstunden durch das Ölloch.

Entfernen Sie die Schrauben des Getriebedeckels und nehmen Sie den Deckel ab. Schmieren nach jeweils 300 Betriebsstunden.

**HINWEIS:** Schmieren Sie für einen optimalen Betrieb und eine längere Lebensdauer das Getriebegehäuse der Heckenschere mit Fett (SHELL Gadus S2 V220 1).

**H2**

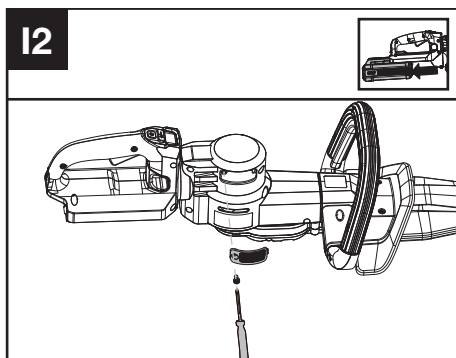
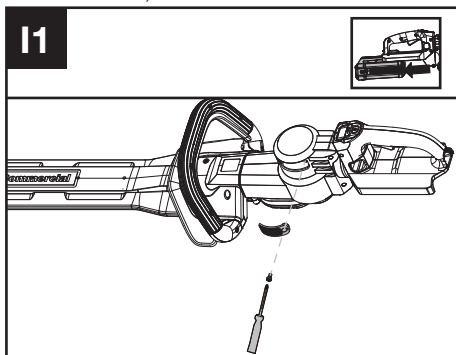
D

## Schärfen

**!** **WARNUNG:** Betreiben Sie Ihre Maschine nicht mit stumpfen oder beschädigten Schneidmessern, da dies zu Überlastung und unbefriedigender Leistung führt. Wenn die Schnittleistung nachlässt, lassen Sie die Klinge bitte von einem Fachmann nachschärfen. Tragen Sie beim Schärfen des Heckenscherenmessers immer Schutzhandschuhe und schärfen Sie nur die Schneide. Schleifen Sie keine stumpfen, vorstehenden Teile des Schneidmessers oder seines Schutzes. Verwenden Sie einen Schleifstein, um einen Grat an der Schneide zu entfernen. Entfernen Sie nach dem Schärfen den Staub von der Klinge.

## Reinigung des Luftfilters (siehe Abb. I1, I2)

1. Reinigen Sie den Bereich um den Luftfilter. Verwenden Sie ein feuchtes Tuch oder eine weiche Bürste.
2. Schrauben Sie den Luftfilter ab und nehmen Sie ihn heraus.
3. Waschen Sie den Luftfilter unter fließendem Wasser, um den Schmutz zu entfernen.
4. Lassen Sie den Luftfilter an der Luft trocknen. Setzen Sie ihn anschließend wieder in das Gehäuse ein, indem Sie die Schraube anziehen.



## REINIGUNG

1. Schalten Sie die Heckenschere aus und nehmen Sie den Akku heraus.
2. Verwenden Sie keine aggressiven Reinigungs- oder Lösungsmittel. Reinigen Sie das Gerät nach Gebrauch mit einem Tuch, das Sie zuvor mit einem milden Reinigungsmittel angefeuchtet haben.
3. Halten Sie den Akkuanschluss frei von Schmutz und Ablagerungen, und reinigen Sie ihn mit einer weichen und trockenen Bürste oder einem Tuch.
4. Sprühen Sie kein Wasser auf den Motor und die elektrischen Komponenten.
5. Verwenden Sie zur Reinigung Ihres Geräts unter keinen Umständen einen Hochdruckreiniger.

## AUFBEWAHRUNG

1. Nehmen Sie das Akkupack aus der Heckenschere, bevor Sie aufbewahren.
2. Bewahren Sie die Heckenschere und den Akku an einem trockenen und sicheren Ort auf, der für Kinder und andere unbefugte Personen unzugänglich ist.
3. Lagern Sie den Akku nur in einem Temperaturbereich zwischen 5°C (41°F) und 25°C (77°F). Lassen Sie zum Beispiel den Akku im Sommer nicht im Auto liegen.
4. Wenn das Gerät beim Betrieb im Regen nass geworden ist, sollten Sie es und den Akku vor dem Lagern oder Laden trocknen. Nehmen Sie den Akku heraus und setzen Sie ihn wieder ein, wenn sich das Gerät nicht einschalten lässt.

## BEI AKKUWERKZEUGEN

Die optimale Betriebstemperatur beträgt -20°C ~ 45°C (-4°F ~ 113°F).  
Der empfohlene Umgebungstemperaturbereich für die Ladestation liegt zwischen -5°C ~ 45°C (23°F ~ 113°F).

## STÖRUNGSBEHEBUNG

In der folgenden Tabelle finden Sie Probleme und Maßnahmen, die Sie ergreifen können, falls Ihre Maschine nicht ordnungsgemäß funktioniert.

**!** **WARNUNG:** Schalten Sie die Maschine aus und entfernen Sie den Akku, bevor Sie Störungen beheben.

### TRIMMER

| Problem                      | Mögliche Ursachen                  | Abhilfemaßnahmen            |
|------------------------------|------------------------------------|-----------------------------|
| LED-Akkustandsanzeige blinkt | Spannung des Akkupacks ist gering. | Laden Sie das Akkupack auf. |


|  |   |  |
|--|---|--|
| Rote LED-Fehleranzeige blinkt                        | Produkt ist überlastet.   | Der Schneidaufsatz hat sich verklemmt. Setzen Sie das Produkt umgehend außer Betrieb. Entfernen Sie dann das Akkupack. Reinigen Sie anschließend den Schneidaufsatz und entfernen Sie alle unerwünschten Rückstände. |
|  | Produkt ist überhitzt.  | Lassen Sie das Produkt vollständig abkühlen.   |
|  | Sonstige Probleme   | Wenden Sie sich an den Kundendienst  |
| Produkt lässt sich nicht in Betrieb nehmen           | Kontaktflächen des für das Akkupack vorgesehenen Steckplatzes sind verschmutzt. | Reinigen Sie die Kontaktflächen des Steckplatzes mit Druckluft oder einer weichen Bürste.  |
|  | Sonstige Probleme   | Wenden Sie sich an den Kundendienst.   |
| Produkt unterbricht den Betrieb                      | Akku ist nicht bis zum Anschlag in den Steckplatz eingeführt.                   | Führen Sie das Akkupack bis zum Anschlag ein.  |
|  | Problem mit der Elektrik.   | Wenden Sie sich an den Kundendienst.   |
| Produkt verursacht übermäßige Vibrationen oder Lärm. | Problem mit Schneidaufsatz Produkt ist defekt.                                  | Ersetzen Sie den Schneidaufsatz durch einen neuen. Wenden Sie sich an den Kundendienst.  |

## AKKUPACK

| Problem                    | Mögliche Ursachen                 | Abhilfemaßnahmen   |
|----------------------------|-----------------------------------|--|
| LED-Fehleranzeige leuchtet | Akkupack ist vollständig entladen | Laden Sie das Akkupack auf. Sollte sich das Akkupack nicht aufladen lassen, wenden Sie sich an den Kundendienst.   |
|                            | Produkt ist überhitzt.            | Laden Sie das Akkupack nur bei Umgebungstemperaturen von -5 °C bis 45 °C (+23 °F bis 113 °F) auf. Während der Entladung muss die Umgebungstemperatur zwischen -20 °C und 45 °C (-4 °F und +113 °F) betragen. |
|                            | Sonstige Probleme                 | Wenden Sie sich an den Kundendienst.   |

## TECHNISCHE DATEN

Typ: **KC201 KC201.X (201- Bezeichnung des Geräts, stellvertretend für die kabellose Heckenschere)**

|                        | KC201 KC201.X**  |
|------------------------|--|
| Spannung               | 60 V  MAX *** |
| Schneidgeschwindigkeit | 4400/5000 SPM  |
| Klingenlänge           | 63 cm (25")  |
| Zahnabstände           | 30 mm (1.18 inch)  |
| Schutzgrad             | IPX4   |
| Gewicht (Ohne Akku)    | 3.8 kg (8.3 lbs)   |

\*\* X=1-999, A-Z, M1-M9 werden nur für verschiedene Kunden verwendet, es gibt keine sicherheitsrelevanten Veränderungen zwischen diesen Modellen.

\*\*\* Spannung ohne Arbeitslast gemessen. Anfangsakkuspannung erreicht maximal 60 Volt. Nennspannung ist 54 Volt.

## EMPFOHLENE AKKUS UND LADEGERÄTE

| Akku                             | Kapazität | Ladegerät | Stromstärke |
|----------------------------------|-----------|-----------|-------------|
| KAC800                           | 4 Ah      | KAC840    | 30 A        |
| KAC810<br>(mit Rucksackgeschirr) | 11 Ah     |           |             |
| KA3000                           | 2.0 Ah    |           |             |

Wir empfehlen Ihnen, Ihr Zubehör bei demselben Händler zu kaufen, bei dem Sie das Gerät erworben haben. Weitere Informationen finden Sie auf der Verpackung des Zubehörs. Lassen Sie sich von Ihrem Händler beraten und unterstützen.

## TECHNISCHE DATEN FÜR AKKU-PACK (OPTIONAL)

|                                      |                 |
|--------------------------------------|-----------------|
| Frequenzbänder für Bluetooth         | 2400-2483.5 MHz |
| Maximale Sendeleistung für Bluetooth | 8 dBm           |

D

## INFORMATIONEN ÜBER LÄRM

Gewichteter Schalldruck  $L_{pA} = 87.48 \text{ dB(A)}$

$K_{pA}$  3.0 dB(A)

Gewichtete Schalleistung  $L_{wA} = 95.48 \text{ dB(A)}$

$K_{wA}$  0.97 dB(A)

Tragen Sie einen Gehörschutz.



## INFORMATIONEN ÜBER VIBRATIONEN

Vibrations gesamt Großschreibung gemäß EN 62841:

|                         |   |
|-------------------------|---|
| Vibrationsemissionswert | Hinten: $a_h = 2.42 \text{ m/s}^2$<br>Vorne: $a_h = 2.50 \text{ m/s}^2$ |
| Unsicherheit            | Hinten: $K = 1.5 \text{ m/s}^2$<br>Vorne: $K = 1.5 \text{ m/s}^2$       |

Der angegebene Vibrationsgesamtwert kann und der angegebene Vibrationsemissionswert wurden gemäß Standardprüfverfahren gemessen und können zum Vergleichen eines Werkzeug mit einem anderen verwendet werden.

Der angegebene Vibrationsgesamtwert und der

angegebene Vibrationsemissionswert können auch für eine anfängliche Beurteilung der Beeinträchtigung verwendet werden.



**WARNING:** Die Vibrations- und Lärmemissionen bei der eigentlichen Nutzung des Elektrowerkzeugs können vom angegebenen Wert abweichen, je nachdem, wie das Werkzeug verwendet wird und insbesondere abhängig davon, welcher Werkstücktyp verarbeitet wird, und abhängig von folgenden Beispielen und verschiedenen Einsatzmöglichkeiten des Werkzeugs: Wie das Werkzeug verwendet wird und Materialien geschnitten oder bearbeitet werden. Das Werkzeug ist in gutem Zustand und gut gepflegt.

Verwendung des richtigen Zubehörs für das Werkzeug und Gewährleistung seiner Schärfe und seines guten Zustands.

Die Festigkeit des Griffs auf den Handgriffen und, falls Antivibrations- und Lärmschutzzubehör verwendet wird.

Und ob das verwendete Werkzeug dem Design und diesen Anweisungen entsprechend verwendet wird.

**Wird dieses Werkzeug nicht anemessen gehandhabt, kann es ein Hand-Arm-Vibrationssyndrom erzeugen.**



**WARNING:** Um genau zu sein, sollte ein Abschätzung des Belastungsgrades aller Arbeitsabschnitte während tatsächlicher Verwendung berücksichtigt werden, z.B. die Zeiten, wenn das Werkzeug ausgeschaltet ist, und wenn es sich im Leerlauf befindet und eigentlich nicht eingesetzt wird. Auf diese Weise kann der Belastungsgrad während der gesamten Arbeitszeit wesentlich gemindert werden.

Hilft dabei, das Risiko der Vibrations- und Lärmbelastung zu minimieren.

Verwenden Sie IMMER scharfe Schneidwerkzeuge.

Pflegen Sie dieses Werkzeug diesen Anweisungen entsprechend und achten Sie auf eine gute Einfettung (wo erforderlich).

Falls das Werkzeug regelmäßig verwendet werden soll, investieren Sie in Antivibrations- und Lärmschutzzubehör.

Machen Sie einen Arbeitsplan, um die Verwendung von hochvibrierenden Werkzeugen auf mehrere Tage zu verteilen.

## UMWELTSCHUTZ



Elektroprodukte dürfen nicht mit dem normalen Haushaltsmüll entsorgt werden, sondern sollten nach Möglichkeit zu einer Recyclingstelle gebracht werden. Ihre zuständigen Behörden oder Ihr Fachhändler geben Ihnen hierzu gerne Auskunft.

# KONFORMITÄTSERKLÄRUNG

Wir,  
Positec Germany GmbH  
Postfach 680194, 50704 Cologne, Germany

Erklären im Namen von Positec, dass das Produkt  
Beschreibung **Akku-Heckenschere**  
Typ **KC201 KC201.X (201-Bezeichnung des  
Geräts, stellvertretend für eine Heckenschere)**  
Funktion **Beschneiden von Hecken und  
Sträuchern**

den Bestimmungen der folgenden Richtlinien  
entspricht:  
**2006/42/EC, 2014/30/EU, 2011/65/  
EU&(EU)2015/863, 2000/14/EC geändert durch  
2005/88/EC**

2000/14/EC geändert durch 2005/88/EC:  
- Konformitätsbewertungsverfahren nach Annex V  
- Gemessene Schalleistung 95.48 dB (A)  
- Garantierte Schalleistung 96.45 dB (A)

Normen,  
**EN 62841-1, EN 62841-4-2, EN ISO 3744, EN IEC  
55014-1, EN IEC 55014-2, EN IEC 63000**

Zur Kompilierung der technischen Datei ermächtigte  
Person,

**Name Marcel Filz**  
**Anschrift Positec Germany GmbH**  
**Postfach 680194, 50704 Cologne, Germany**

D



2024/06/19  
Allen Ding  
Stellvertretender Chefsingenieur,  
Prüfung und Zertifizierung  
Positec Technology (China) Co., Ltd  
18, Dongwang Road, Suzhou Industrial  
Park, Jiangsu 215123, P. R. China

# SOMMAIRE

|                                    |    |
|------------------------------------|----|
| Introduction.....                  | 30 |
| Liste des composants.....          | 31 |
| Sécurité du produit.....           | 32 |
| Montage et utilisation.....        | 35 |
| Transport.....                     | 39 |
| Entretien.....                     | 39 |
| Nettoyage.....                     | 40 |
| Stockage.....                      | 40 |
| Dépannage.....                     | 40 |
| Données techniques.....            | 41 |
| Protection de l'environnement..... | 42 |
| Déclaration de conformité.....     | 43 |

F

## INTRODUCTION

Cher Client,

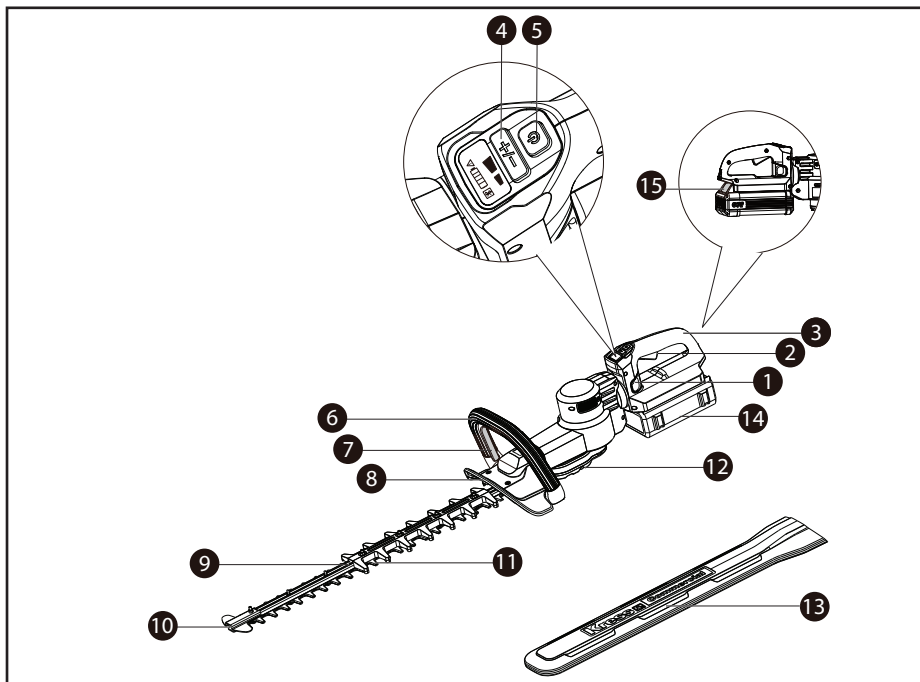
Merci d'avoir acheté ce produit de la marque Kress Commercial. Nous nous engageons à développer des produits de haute qualité pour répondre à vos exigences d'aménagement paysager.

La marque Kress est synonyme de service de qualité supérieure. Au cours des années d'utilisation de votre produit, si vous avez des questions ou des inquiétudes à son sujet, veuillez contacter votre revendeur ou notre équipe de service clientèle pour obtenir de l'aide.

Nous espérons que vous serez satisfait de votre produit de la marque Kress pour les années à venir.

## UTILISATION CONFORME

Cette machine est conçue pour couper et tailler les haies et les buissons pour un usage résidentiel ou commercial de grande envergure.



## LISTE DES COMPOSANTS

- |     |   |
|-----|---|
| 1.  | BOUTON DE VERROUILLAGE POUR FAIRE TOURNER LA POIGNÉE ARRIÈRE    |
| 2.  | GÂCHETTE D'ACCÉLÉRATION   |
| 3.  | POIGNÉE ARRIÈRE ROTATIVE  |
| 4.  | BOUTON DE CONTRÔLE DE LA VITESSE                                |
| 5.  | INTERRUPTEUR MARCHÉ/ARRÊT                                       |
| 6.  | POIGNÉE AVANT   |
| 7.  | BOUTON DE PRÉSENCE D'OPÉRATEUR (FONCTION D'ACTIVATION GÉNÉRALE) |
| 8.  | BOUCLIER DE SÉCURITÉ(PROTECTEUR)                                |
| 9.  | LAME  |
| 10. | PROTECTEUR DE POINTE  |
| 11. | BOUCLIER DE LAME ARRIÈRE  |
| 12. | BOÎTIER D'ENGRENAGES MÉTALLIQUE                                 |
| 13. | ETUI PROTECTEUR DE LAME   |
| 14. | PACK BATTERIE *   |
| 15. | BOUTON DE LIBÉRATION DE LA BATTERIE                             |

\* Les accessoires reproduits ou décrits ne sont pas tous compris avec le modèle standard livré.

# NOTICE ORIGINALE

## AVERTISSEMENTS DE SÉCURITÉ

### SÉCURITÉ DU PRODUIT

## AVERTISSEMENTS GÉNÉRAUX DE SÉCURITÉ POUR L'OUTIL



**AVERTISSEMENT!** Lire l'ensemble des mises en garde, instructions, illustrations et spécifications fourni avec cet outil électrique. Ne pas suivre toutes les instructions énumérées ci-dessous peut conduire à une électrocution, un incendie et / ou des blessures graves.

Conserver tous les avertissements et toutes les instructions pour pouvoir s'y reporter ultérieurement.

Le terme «outil» dans les avertissements fait référence à votre outil électrique alimenté par le secteur (avec cordon d'alimentation) ou votre outil fonctionnant sur batterie (sans cordon d'alimentation).

#### 1) Sécurité de la zone de travail

- a) Conserver la zone de travail propre et bien éclairée.** Les zones en désordre ou sombres sont propices aux accidents.
- b) Ne pas faire fonctionner les outils électriques en atmosphère explosive, par exemple en présence de liquides inflammables, de gaz ou de poussières.** Les outils électriques produisent des étincelles qui peuvent enflammer les poussières ou les fumées.
- c) Maintenir les enfants et les personnes présentes à l'écart pendant l'utilisation de l'outil.** Les distractions peuvent vous faire perdre le contrôle de l'outil.

#### 2) Sécurité électrique

- a) Il faut que les fiches de l'outil électrique soient adaptées au socle. Ne jamais modifier la fiche de quelque façon que ce soit. Ne pas utiliser d'adaptateurs avec des outils à branchement de terre.** Des fiches non modifiées et des socles adaptés réduiront le risque de choc électrique.
- b) Éviter tout contact du corps avec des surfaces reliées à la terre telles que les tuyaux, les radiateurs, les cuisinières et les réfrigérateurs.** Il existe un risque accru de choc électrique si votre corps est relié à la terre.
- c) N'utilisez pas la machine sous la pluie ou dans des conditions humides. Cela peut renforcer le risque de choc électrique.** Si elles sont mouillées par la pluie pendant l'utilisation, la machine et la batterie devraient être séchées avant rangement ou mise en charge. Retirez la batterie et réinsérez-la si la machine ne s'allume

pas. Aucun corps étranger ne doit bloquer la batterie, nettoyez-la avec un chiffon ou une brosse souple et sèche.d) **Ne pas maltraiter le cordon. Ne jamais utiliser le cordon pour porter, tirer ou débrancher l'outil. Maintenir le cordon à l'écart de la chaleur, du lubrifiant, des arêtes ou des parties en mouvement.** Des cordons endommagés ou emmêlés augmentent le risque de choc électrique.

- e) Lorsqu'on utilise un outil à l'extérieur, utiliser un prolongateur adapté à l'utilisation extérieure.** L'utilisation d'un cordon adapté à l'utilisation extérieure réduit le risque de choc électrique.
- f) Si l'usage d'un outil dans un emplacement humide est inévitable, utiliser une alimentation protégée par un dispositif à courant différentiel résiduel (DDR).** L'usage d'un DDR réduit le risque de choc électrique.

#### 3) Sécurité des personnes

- a) Restez vigilant, regardez ce que vous êtes en train de faire et faites preuve de bon sens dans votre utilisation de l'outil. Ne pas utiliser un outil lorsque vous êtes fatigué ou sous l'emprise de drogues, d'alcool ou de médicaments.** Un moment d'inattention au cours de l'utilisation d'un outil peut entraîner des blessures graves.
- b) Utiliser un équipement de sécurité. Toujours porter une protection pour les yeux.** Les équipements de sécurité tels que les masques contre les poussières, les chaussures de sécurité antidérapantes, les casques ou les protections acoustiques utilisés dans les conditions appropriées réduiront le risque de blessures.
- c) Éviter tout démarrage intempestif. S'assurer que l'interrupteur est en position arrêté avant de brancher l'outil au secteur et/ou au bloc de batteries, de le ramasser ou de le porter.** Porter les outils en ayant le doigt sur l'interrupteur ou brancher des outils dont l'interrupteur est en position marche est source d'accidents.
- d) Retirer toute clé de réglage avant de mettre l'outil en marche.** Une clé laissée fixée sur une partie tournante de l'outil peut entraîner des blessures.
- e) Ne pas se précipiter. Garder une position et un équilibre adaptés à tout moment.** Cela permet un meilleur contrôle de l'outil dans des situations inattendues.
- f) S'habiller de manière adaptée. Ne pas porter de vêtements amples ou de bijoux. Garder les cheveux, les vêtements et les gants à distance des parties en mouvement.** Des vêtements amples, des bijoux ou les cheveux longs peuvent être attrapés par des parties en mouvement.
- g) Si des dispositifs sont fournis pour le raccordement d'équipements pour l'extraction et la récupération des poussières, s'assurer qu'ils sont connectés**

et correctement utilisés. *Utiliser des collecteurs de poussière peut réduire les risques dus aux poussières.*

- h) Ne pas laisser les habitudes acquises au cours d'une utilisation fréquente des outils nous rendre complaisants et ignorer les principes de sécurité de l'outil.** *Une action imprudente peut entraîner des blessures graves en une fraction de seconde.*
- 4) Utilisation et entretien de l'outil**
- a) Ne pas forcer l'outil. Utiliser l'outil adapté à votre application.** *L'outil adapté réalisera mieux le travail et de manière plus sûre au régime pour lequel il a été construit.*
- b) Ne pas utiliser l'outil si l'interrupteur ne permet pas de passer de l'état de marche à celui d'arrêt et vice versa.** *Tout outil qui ne peut pas être commandé par l'interrupteur est dangereux et doit être réparé.*
- c) Débrancher la fiche de la source d'alimentation secteur et/ou le bloc de batteries de l'outil avant tout réglage, changement d'accessoires ou avant de ranger l'outil.** *De telles mesures de sécurité préventives réduisent le risque de démarrage accidentel de l'outil.*
- d) Conserver les outils à l'arrêt hors de la portée des enfants et ne pas permettre à des personnes ne connaissant pas l'outil ou les présentes instructions de le faire fonctionner.** *Les outils sont dangereux entre les mains d'utilisateurs novices.*
- e) Observer la maintenance de l'outil. Vérifier qu'il n'y a pas de mauvais alignement ou de blocage des parties mobiles, des pièces cassées ou toute autre condition pouvant affecter le fonctionnement de l'outil. En cas de dommages, faire réparer l'outil avant de l'utiliser.** *De nombreux accidents sont dus à des outils mal entretenus.*
- f) Garder affûtés et propres les outils permettant de couper.** *Des outils destinés à couper correctement entretenus avec des pièces coupantes tranchantes sont moins susceptibles de rester bloqués et sont plus faciles à contrôler.*
- g) Utiliser l'outil, les accessoires et les lames etc., conformément à ces instructions, en tenant compte des conditions de travail et du travail à réaliser.** *L'utilisation de l'outil pour des opérations différentes de celles prévues pourrait donner lieu à des situations dangereuses.*
- h) Maintenir les poignées et les surfaces de préhension sèches, propres et exemptes d'huile et de graisse.** *Des poignées et surfaces de préhension glissantes ne permettent pas une manipulation et un contrôle de l'outil en toute sécurité en cas d'imprévu.*
- 5) Utilisation des outils fonctionnant sur batteries et précautions d'emploi**
- a) Ne recharger qu'avec le chargeur spécifié par le fabricant.** *Un chargeur qui est adapté à un type de bloc de batteries peut entraîner un risque d'incendie lorsqu'il est utilisé avec un autre type de bloc de batteries.*
- b) N'utiliser les outils qu'avec des blocs de batteries spécifiquement désignés.** *L'utilisation de tout autre bloc de batteries peut entraîner un risque de blessure et d'incendie.*
- c) Lorsqu'un bloc de batteries n'est pas utilisé, le maintenir à l'écart de tout autre objet métallique, par exemple trombones, pièces de monnaie, clés, clous, vis ou autres objets de petite taille qui peuvent donner lieu à une connexion d'une borne à une autre.** *Le court-circuitage des bornes d'une batterie entre elles peut causer des brûlures ou un incendie.*
- d) Dans de mauvaises conditions, du liquide peut être éjecté de la batterie; éviter tout contact. En cas de contact accidentel, nettoyer à l'eau. Si le liquide entre en contact avec les yeux, rechercher en plus une aide médicale.** *Le liquide éjecté des batteries peut causer des irritations ou des brûlures.*
- e) N'utilisez pas de batterie ou d'outil endommagé ou modifié.** *Des batteries endommagées ou modifiées peuvent se comporter de façon imprévisible et causer un incendie, une explosion ou un risque de blessure.*
- f) N'exposez pas une batterie ou un outil à un incendie ou à une température excessive.** *L'exposition à un incendie ou une température supérieure à 130 °C peut causer une explosion.*
- g) Suivez toutes les instructions de charge et ne rechargez pas la batterie ou l'outil en dehors de la plage de température spécifiée dans les instructions.** *Recharger la batterie de façon inappropriée ou en dehors de la plage de température spécifiée peut l'endommager et augmente le risque d'incendie.*
- 6) Maintenance et entretien**
- a) Faire entretenir l'outil par un réparateur qualifié utilisant uniquement des pièces de rechange identiques.** *Cela assurera le maintien de la sécurité de l'outil.*
- b) Ne révisez jamais de batteries endommagées.** *La révision de batteries doit uniquement être effectuée par le fabricant ou les prestataires de service autorisés.*

## AVERTISSEMENTS DE SÉCURITÉ DU TAILLE-HAIE

- a) N'utilisez pas le taille-haie en cas d'intempéries, surtout lorsqu'il y a un risque d'éclair.** *Cela réduit le risque d'être frappé par la foudre.*
- b) Éloignez tous les cordons d'alimentation et les câbles électriques de la zone de coupe.** *Les cordons d'alimentation ou les câbles électriques sont peut-être dissimulés dans les haies ou les buissons, et peuvent être coupés par accident par la lame.*

- c) **Portez une protection auditive.** *Un équipement protecteur adéquat réduira le risque de perte d'audition.*
- d) **Tenir l'outil par ses surfaces antidérapantes et isolées si l'outil de coupe risque d'entrer en contact avec des câbles cachés.** *L'entrée en contact avec un câble sous tension rendra les parties en métal de l'outil également sous tension et l'utilisateur pourrait recevoir une décharge électrique.*
- e) **Maintenez toutes les parties du corps éloignées de la lame de coupe.** *N'enlevez pas la matière coupée, et en tenez pas la matière à couper pendant que les lames sont en mouvement. Les lames continuent de bouger après avoir mis l'interrupteur hors tension. Un moment d'inattention lors de l'utilisation du taille-haie peut causer de graves blessures personnelles.*
- f) **Au moment de retirer un objet bloqué ou d'entretenir l'unité, n'oubliez pas de mettre tous les interrupteurs d'alimentation hors tension, et de retirer ou débrancher le bloc de batterie.** *L'actionnement inattendu du taille-haie tout en retirant un objet bloqué ou en effectuant l'entretien peut entraîner de graves blessures personnelles.*
- g) **Portez le taille-haie par la poignée et avec la lame de coupe arrêtée, et veillez à n'actionner aucun interrupteur d'alimentation.** *Une manipulation appropriée du taille-haie réduit le risque de blessure personnelle en raison des lames de coupe.*
- h) **Lorsque vous transportez ou rangez le taille-haie, fixez toujours l'étui protecteur de lame.** *Une manipulation appropriée du taille-haie réduit le risque de blessure corporelle causée par les lames.*
- i) **Vérifier la haie pour détecter la présence de corps étrangers, tels que par ex. des clôtures barbelées et des fils électriques cachés.**
- j) **Tenez correctement le taille-haie, par ex. des deux mains si l'outil est muni de deux poignées.**
- k) **Le taille-haie est conçu pour être utilisé par l'opérateur au niveau du sol, pas sur une échelle ou sur tout autre support instable.**
- l) **Avant de faire fonctionner le taille-haie, l'utilisateur doit s'assurer que le ou les dispositifs de verrouillage des éléments mobiles (par ex. l'arbre allongé et l'élément pivotant), si présents, sont en position verrouillée.**
- m) **Le mécanisme d'arrêt réglable doit être entretenu régulièrement.**
- n) **Ne soulevez pas ou ne transportez pas le taille-haie en utilisant une seule poignée.**
- boîte ou dans un tiroir où elles risqueraient de se court-circuiter entre elles ou au contact d'autres objets métalliques.** Après usage, évitez tout contact de la batterie avec d'autres objets métalliques de petite taille (trombones, pièces, clés, clous, vis etc.) susceptibles de court-circuiter les pôles. Un court-circuit entre les pôles de la batterie peut être à l'origine de brûlures ou d'un incendie.
- c) **La batterie ne doit pas être exposée au feu et à la chaleur.** Évitez de la ranger à la lumière du soleil.
- d) **La batterie et les piles ne doivent pas être soumises à des chocs mécaniques.**
- e) **En cas de fuite des piles, évitez tout contact du liquide avec la peau et les yeux.** En cas de contact, rincez abondamment la surface touchée avec de l'eau et appelez les urgences.
- f) **La batterie et les piles doivent rester propres et sèches.**
- g) **Si la batterie ou les piles se salissent, essuyez-les avec un chiffon propre et sec.**
- h) **La batterie et les piles doivent être chargées avant usage.** Utilisez toujours le chargeur adéquat, et respectez les instructions du fabricant ou le mode d'emploi de l'appareil concernant la procédure de recharge.
- i) **Évitez de laisser une batterie se charger pendant trop longtemps lorsqu'elle n'est pas utilisée.**
- j) **Après de longues périodes d'inutilisation, il peut être nécessaire de charger et décharger la batterie et les piles à plusieurs reprises avant que celles-ci ne retrouvent leur capacité maximale.**
- k) **N'utilisez pas d'autre chargeur que celui spécifié par Kress. N'utilisez pas d'autre chargeur que celui spécifiquement fourni avec l'appareil.**
- l) **N'utilisez en aucun cas une batterie autre que celle prévue pour cet appareil.**
- m) **La batterie doit être tenue hors de portée des enfants.**
- n) **Gardez la documentation d'origine du produit afin de pouvoir vous y référer ultérieurement.**
- o) **Enlevez la batterie de l'appareil lorsque vous ne l'utilisez pas.**
- p) **Respectez les procédures de mise au rebut.**
- q) **Ne pas mélanger des piles de fabrication, capacité, taille ou type différents dans un appareil.**
- r) **Protégez la batterie des micro-ondes et des hautes pressions.**
- s) **Attention ! N'utilisez pas de piles non rechargeables.**

## SÉCURITÉ DE LA BATTERIE MISES EN GARDE CONCERNANT LA BATTERIE

- a) **La batterie et les piles secondaires ne doivent pas être ouvertes, démontées ou broyées.**
- b) **La batterie ne doit pas être court-circuitée.** Évitez de mettre la batterie en vrac dans une








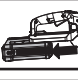
## CONDITIONS DU MANUEL D'UTILISATION POUR LES OUTILS SANS FIL

- a) Le fonctionnement de ce type d'appareil est

soumis aux deux conditions suivantes:

(1) Cet appareil ne doit pas provoquer d'interférences préjudiciables, et  
 (2) Il doit accepter toute interférence reçue, y compris les interférences pouvant entraîner un mauvais fonctionnement.


- b) Attention: Les changements et modifications apportés à cet appareil et non expressément autorisés par la partie responsable de la compatibilité peuvent annuler le droit de l'utilisateur à faire fonctionner l'équipement.
- c) REMARQUE: Cet équipement génère, utilise et peut dégager de l'énergie de radiofréquence et, s'il n'est pas installé et utilisé conformément aux instructions du fabricant, peut provoquer des interférences préjudiciables aux communications radio. Il n'existe toutefois aucune garantie que des interférences ne se produiront pas dans une installation particulière. Si cet équipement entraîne des interférences préjudiciables à la réception des émissions radio ou de télévision, pouvant être identifiées en mettant l'équipement hors tension puis sous tension, il est recommandé que l'utilisateur tente de résoudre ce problème au moyen d'une ou plusieurs des mesures suivantes:
- En orientant différemment l'antenne réceptrice ou en la changeant de place.
  - En augmentant la distance séparant l'équipement du récepteur.
  - En connectant l'équipement à une prise sur un circuit différent de celui sur lequel est branché le récepteur.
  - En obtenant de l'aide auprès du revendeur ou d'un technicien radio/TV expérimenté.

|  |   |
|--|---|
|    | Tenez les mains à l'écart   |
|   | Porter des gants de protection  |
|   | Ne pas brûler.  |
|   | Les piles peuvent entrer dans le cycle de l'eau si elles sont éliminées de manière inappropriée, ce qui peut être dangereux pour l'écosystème. Ne jetez pas les piles utilisées avec les déchets ménagers non triés.  |
| <br>Li-Ion<br> | La batterie Li-Ion. Ce produit a été identifié par un symbole «Collection séparée» pour toutes les batteries et pour toutes les paquets de batterie. Il sera ensuite recyclé ou démantelé afin de réduire l'impact sur l'environnement. Les paquets de batterie peuvent être dangereux pour l'environnement et la santé humaine car elles contiennent des substances dangereuses. |
|   | Les déchets d'équipements électriques et électroniques ne doivent pas être déposés avec les ordures ménagères. Ils doivent être collectés pour être recyclés dans des centres spécialisés. Consultez les autorités locales ou votre revendeur pour obtenir des renseignements sur l'organisation de la collecte.  |
|   | Retirez la batterie avant d'effectuer des réglages, une réparation ou un entretien.   |

## SYMBOLES

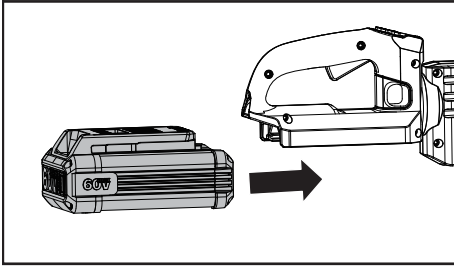
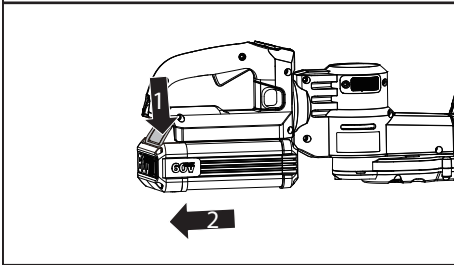
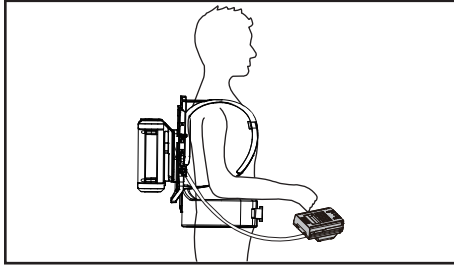
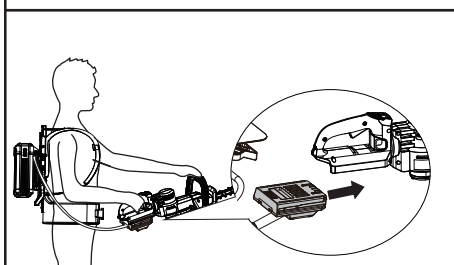
|  |   |
|--|---|
|   | Pour réduire le risque de blessure, l'utilisateur doit lire le mode d'emploi. |
|  | Avertissement   |
|  | Porter une protection pour les yeux   |
|  | Porter une protection pour les oreilles                                       |
|  | Porter un masque contre la poussière  |

## ASSEMBLAGE ET FONCTIONNEMENT

 **Remarque:** Avant d'utiliser cet outil, lire attentivement le mode d'emploi.

 **AVANT D'UTILISER:**

**Enlever Ou Installer La Batterie (Voir Fig. A1,A2)**

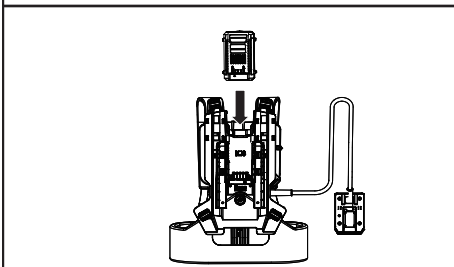
**A1****A2****B2****B3**

1. Faites glisser la batterie dans le compartiment à batterie jusqu'à ce que vous entendiez un clic.
2. Appuyez sur le bouton de déblocage de batterie pour la retirer de votre outil.

### Branchement du taille-haie au harnais dorsal (Voir Fig. B1,B2,B3)

Installez le bloc de batterie dans le harnais dorsal, puis insérez la fiche dans la machine. Mettez le harnais dorsal.

Vous trouverez plus de détails dans le manuel du harnais.

**B1**

### Tester le taille-haie et la batterie (Voir Fig. C)

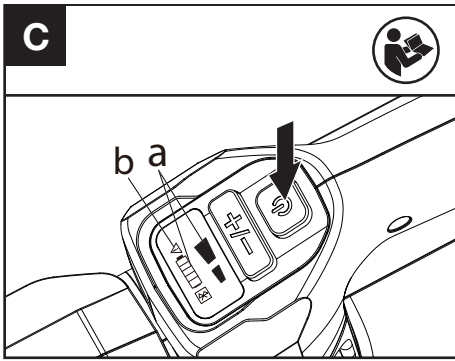
#### Vérifier les contrôles

#### Levier-bouton avant et levier-bouton arrière

1. Retirez la batterie.
2. Appuyez et relâchez le levier-bouton avant et le levier-bouton arrière. Si le levier-bouton avant et le levier-bouton arrière se bloquent et ne reviennent pas en position d'origine. Cessez l'utilisation et contactez l'agent de service.

#### Vérifier l'écran

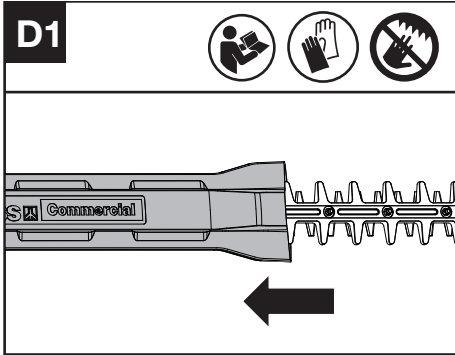
1. Insérez la batterie.
2. Maintenez le bouton On/Off appuyé.  
Le produit est allumé lorsque la LED (a) est illuminée.  
Le produit est éteint lorsque la LED (a) est éteinte.
3. Si l'indicateur d'avertissement (b) s'allume ou clignote, consultez la section **Dépannage** pour trouver des solutions.
4. Appuyez sur le levier-bouton avant, puis sur le levier-bouton arrière pour démarrer la machine.
5. Relâchez le levier-bouton arrière. Le taille-haie s'arrête. Si le taille-haie ne s'arrête pas, retirez la batterie et contactez l'agent de service.



## FONCTIONNEMENT

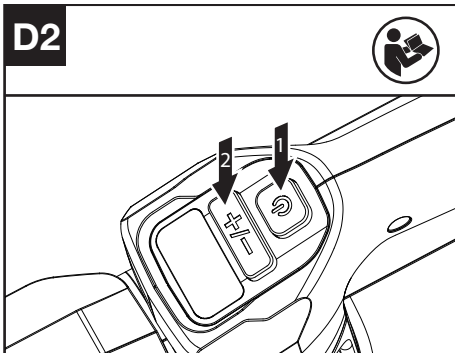
### Démarrage et arrêt

Avant utilisation, retirez d'abord la gaine de la lame. (Voir Fig. D1)

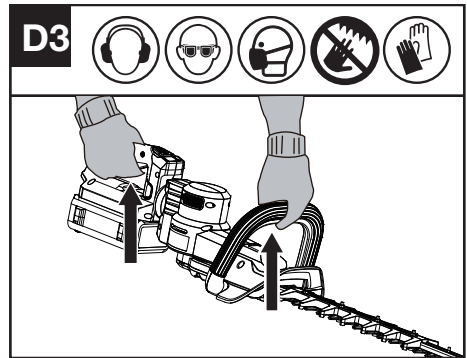


### Choix de la vitesse

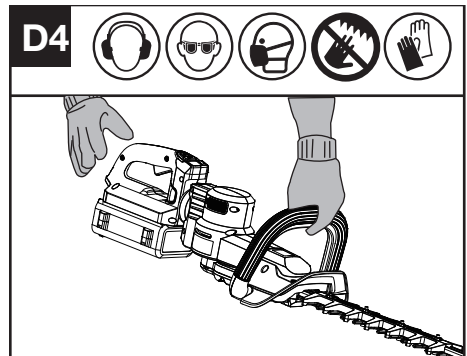
1. Relâchez l'interrupteur On/Off.
2. Appuyez sur le bouton de contrôle de la vitesse pour choisir la vitesse désirée. (Voir Fig. D2)



Appuyez sur le levier-bouton avant et le levier-bouton arrière pour démarrer. (Voir Fig. D3)



Relâchez le levier d'interrupteur arrière et le levier d'interrupteur avant pour arrêter. (Voir Fig. D4)



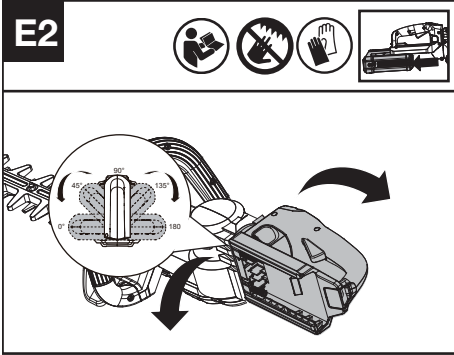
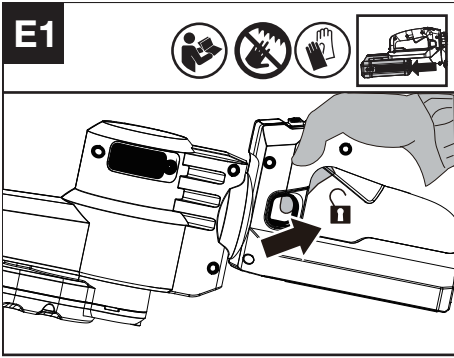
Lorsque vous n'utilisez pas la machine, éteignez le taille-haie et débranchez-le du harnais dorsal.

### Poignée arrière rotative (Voir Fig. E1, E2)

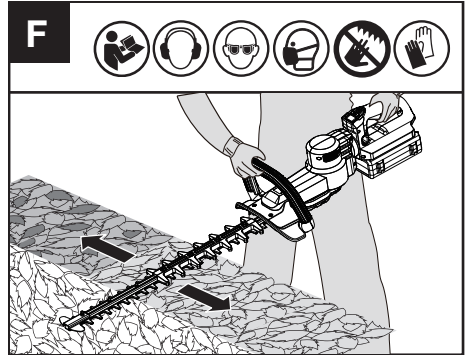
**REMARQUE:** Déverrouillez l'interrupteur de verrouillage avant de la tourner.

Après avoir tourné la poignée dans la position désirée, ajustez-la un peu jusqu'à ce que vous entendiez un déclic.

**AVERTISSEMENT:** Assurez-vous toujours que la poignée est verrouillée dans la position souhaitée avant utilisation. Assurez-vous toujours que l'interrupteur de verrouillage est bloqué avant de démarrer le taille-haie. Ne tournez pas la poignée lorsque le taille-haie est en cours d'utilisation.



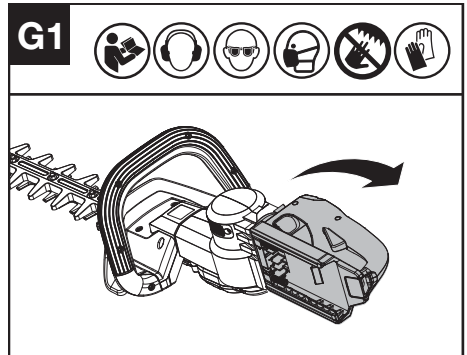
**AVERTISSEMENT:** Si des pièces manquent, sont endommagées ou cassées, n'utilisez pas le taille-haie sans fil tant que les pièces endommagées ne sont pas remplacées ou réparées. Le non-respect de cette consigne peut entraîner de graves blessures. **NE PAS METTRE EN MARCHÉ L'APPAREIL SANS AVOIR AUPARAVANT MONTE LE BOULIER PROTECTEUR ET LA POIGNEE AVANT.**



### Coupes sur les côtés (Voir Fig. G1, G2)

Pour la taille de côté, démarrez par le bas de la haie, coupez en remontant en effectuant une taille conique du bas vers le haut. Cette forme permet une meilleure exposition de la haie et une croissance plus uniforme.

**AVERTISSEMENT:** Arrêtez d'utiliser le taille-haie avant de tourner la poignée.



### Travailler avec le taille haie

Avant de couper une zone, inspectez-la d'abord et retirez tout objet étranger qui pourrait être projeté ou s'entremêler dans les lames. Tenez toujours le taille-haie des deux mains, la lame loin de vous, avant de le mettre en marche.

Lorsque vous taillez des nouvelles pousses, adoptez un grand mouvement de balayage de sorte que les tiges soient prises directement dans la lame.

Laissez les lames de coupes atteindre le plein régime avant la coupe. Pendant le fonctionnement, tenez les lames de coupes à l'écart des gens et des objets tels que les murs, les grosses pierres, les arbres, les véhicules, etc.

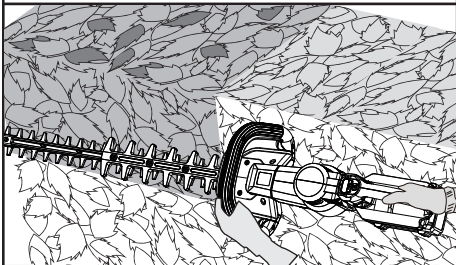
Si la lame se décroche, arrêtez immédiatement le taille-haie. Relâchez les deux interrupteurs avant d'essayer de retirer les débris bloqués dans les lames de coupes.

Portez des gants lorsque vous taillez des pousses épineuses.

N'essayez pas de couper les tiges trop épaisses pour la lame coupante.

### Coupes hautes (Voir Fig. F)

Donnez au taille- haie un mouvement de large amplitude dans les 2 sens. Une légère inclinaison des lames de haut en bas accompagnant le mouvement donnera une excellente qualité de coupe.

**G2**

## TRANSPORT

### Transport du coupe-bordure

1. Éteignez le coupe-bordure et retirez la batterie.
2. Lorsque vous transportez le coupe-bordure manuellement, tenez-le par le centre de l'arbre, la tête de coupe à l'arrière, pour vous assurer que la machine est parallèle au sol.
3. Lorsque vous transportez votre coupe-bordure à l'aide d'un véhicule, placez-le de manière à éviter qu'il ne se renverse ou ne soit endommagé.

### Transport de la batterie

1. Assurez-vous que la batterie demeure en bon état.
2. Utilisez un emballage non conducteur lors du transport de la batterie.
3. Les batteries Li-Ion contenues sont soumises aux prescriptions de la législation sur les marchandises dangereuses.  
Ne transportez les batteries que lorsque le boîtier de la batterie n'est pas endommagé. Emballez les piles de manière à ce qu'elles ne puissent pas se déplacer dans l'emballage.

## ENTRETIEN

**⚠ AVERTISSEMENT !** Retirez toujours la batterie avant toute opération de maintenance sur le taille-herbe.

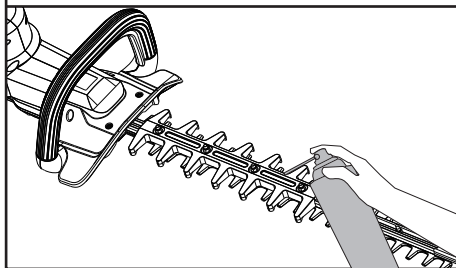
**Retirez la batterie avant d'effectuer des réglages, une réparation ou un entretien.**

Il n'y a pas de pièces réparables par l'utilisateur dans cet outil. Ne jamais utiliser d'eau ou de nettoyants chimiques pour nettoyer l'outil. Nettoyer avec un chiffon sec. Toujours conserver l'outil motorisé dans un endroit sec. Maintenir les fentes de ventilation du moteur propres. Empêcher que les commandes de marche soient couvertes de sciure.

**Graissage de la lame de coupe (Voir Fig. H1)**

**REMARQUE:** Seule l'huile de lubrification standard

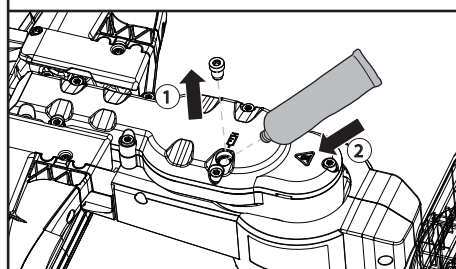
recommandée (WD-40) peut être utilisée afin d'éviter d'endommager la lame.

**H1**

### Graissage du boîtier d'engrenages (Voir Fig. H2)

Retirez le bouchon à vis du carter d'engrenage. Graissez le carter d'engrenage par le trou d'huile toutes les 50 heures de service. Dévissez le couvercle du boîtier d'engrenages, et enlevez-le. Graissez toutes les 300 heures de service.

**REMARQUE:** Pour un fonctionnement optimal et une durée de vie plus longue, lubrifiez le carter d'engrenage du taille-haie avec de la graisse. (SHELL Gadus S2 V220 1).

**H2**

### Aiguillage

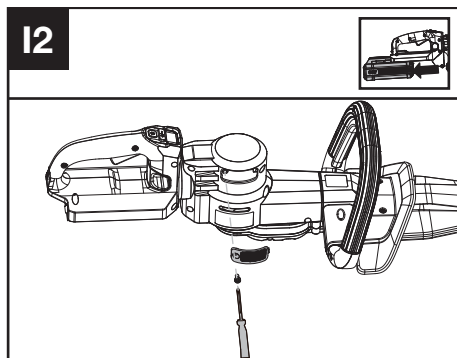
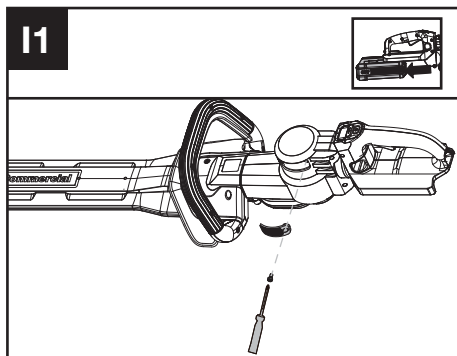
**⚠ AVERTISSEMENT:** Ne faites pas fonctionner votre machine en utilisant des lames de coupe émoussées ou endommagées, ce qui entraînera un risque de surcharge et des résultats peu satisfaisants. Lorsque la qualité de la coupe commence à se détériorer, veuillez à nouveau aiguïser la lame. Lorsque les performances de coupe commencent à se détériorer, contactez un professionnel pour faire aiguïser la lame. Portez toujours des gants de protection lorsque vous manipulez la lame du taille-haie et aiguïsez seulement le fil.  
Aiguïsez uniquement le tranchant de la lame.

F

N'affûtez pas les parties saillantes émoussées de la lame de coupe ou sa protection. Utilisez une pierre à aiguiser pour éliminer les bavures du tranchant de la lame. Une fois l'aiguisage effectué, dépoussiérez la lame.

### Nettoyer le filtre à air (Voir Fig. I1, I2)

1. Nettoyez la surface autour du filtre à air. Utilisez un chiffon humide ou une brosse douce.
2. Dévissez et retirez le filtre à air.
3. Lavez le filtre à air sous l'eau courante pour retirer la saleté.
4. Laissez le filtre sécher à l'air. Réinstallez-le ensuite dans le boîtier en serrant la vis.



### NETTOYAGE

1. Éteignez le taille-herbe et retirez la batterie.
2. N'utilisez pas de produits détergents agressifs ni de solvants. Nettoyez la machine après utilisation avec un chiffon humide imbibé d'un détergent neutre.
3. Aucun corps étranger ne doit bloquer la batterie ; nettoyez-la avec un chiffon ou une brosse souple et sèche.
4. N'aspergez pas d'eau sur le moteur et les composants électriques.
5. N'utilisez pas d'eau sous pression pour nettoyer la machine.

### STOCKAGE

1. Retirez le bloc de batterie du taille-haie avant de le ranger.
2. Rangez le taille-bordure dans un endroit sec et sécurisé inaccessible aux enfants ou aux personnes non autorisées.
3. Rangez la batterie seulement à une température comprise entre 41 °F (5 °C) et 77 °F (25 °C). Par exemple, ne la laissez pas dans une voiture en été.
4. Si elles sont mouillées par la pluie pendant l'utilisation, la machine et la batterie devraient être séchées avant rangement ou mise en charge. Retirez la batterie et réinsérez-la si la machine ne s'allume pas.

### POUR LES OUTILS À BATTERIE

La plage de températures ambiantes recommandée de décharge est de -20°C~45°C (-4°F~113°F). La plage de température ambiante recommandée pour le système de recharge au cours de la charge est -5°C~45°C (23°F~113°F).

### GUIDE DE DÉPANNAGE

Le tableau suivant présente des problèmes et des actions que vous pouvez effectuer si votre machine ne fonctionne pas correctement.

**!** **ATTENTION: Mettez la machine hors tension et retirez la batterie avant tout dépannage.**

#### COUPE-BORDURE

| Problèmes                                    | Causes possibles            | Solutions   |
|--|-----------------------------|---|
| Indicateur de batterie LED clignotant        | Tension de batterie faible. | Chargez la batterie.  |
| Voyant de dysfonctionnement rouge clignotant | Surcharge.                  | L'accessoire de coupe est coincé. Éteignez la machine. Retirez la batterie. Retirez de l'accessoire de coupe tous matériaux indésirables. |
|  | Problème de température.    | Laissez refroidir le produit.   |
| Autres problèmes                             |                             | Contactez le réparateur   |

|   |   |  |
|---|---|--|
| Le produit ne démarre pas                     | Débris au niveau des fiches de la batterie.                 | Nettoyez les fiches de la batterie avec de l'air comprimé ou une brosse douce. |
|   | Autres problèmes  | Contactez le réparateur.   |
| Le coupe-bordure fonctionne par intermittence | La batterie n'est pas complètement insérée dans la machine. | Insérez la batterie entièrement.   |
|   | Problème électrique potentiel.                              | Contactez le réparateur.   |
| Vibrations ou bruits excessifs.               | Problème d'accessoire de coupe. Machine défectueuse.        | Remplacez l'accessoire de coupe. Contactez le réparateur.                      |


## BATTERIE

| Problèmes                          | Causes possibles          | Solutions   |
|------------------------------------|---------------------------|---|
| Voyant de dysfonctionnement allumé | La batterie est déchargée | Chargez la batterie. Si la batterie ne se charge pas, contactez votre agent de révision.  |
|                                    | Problème de température.  | Utilisez la batterie dans un environnement où les températures sont comprises entre -5 °C et 45 °C (23 °F à 113 °F) pour la charge ; -20 °C à 45 °C (-4°F à 113 °F) pour la décharge. |
|                                    | Autres                    | Contactez le réparateur   |

## CARACTÉRISTIQUES TECHNIQUES

Modèle: **KC201 KC201.X (201- Désignation de la machine, modèle de taille-haie sans fil)**

|  |                        |
|--|------------------------|
|  | <b>KC201 KC201.X**</b> |
|--|------------------------|

|                                |  |
|--------------------------------|--|
| Tension                        | 60 V  MAX *** |
| Vitesse de coupe               | 4400/5000 SPM  |
| Longueur de lame               | 63 cm (25")  |
| Espacement des dents           | 30 mm (1.18 inch)  |
| Degré de protection            | IPX4   |
| Poids de la machine (Outil nu) | 3.8 kg (8.3 lbs)   |

\*\* X = 1-999 ,A-Z , M1-M9, la seule différence entre ces modèles est que les clients visés sont différents. Il n'y a pas de changement concernant la sécurité.

\*\*\* Tension mesurée sans charge. La tension de la batterie initiale atteint un maximum de 60 volts. La tension nominale est de 54 volts.

## BATTERIES ET CHARGEURS CONSEILLÉS

| Batterie                     | Capacité | Chargeur | Amperage |
|------------------------------|----------|----------|----------|
| KAC800                       | 4 Ah     | KAC840   | 30 A     |
| KAC810 (Avec harnais dorsal) | 11 Ah    |          |          |
| KA3000                       | 2.0 Ah   |          |          |

Nous vous recommandons d'acheter vos accessoires auprès du même revendeur que celui qui vous a vendu l'outil. Reportez-vous à l'emballage des accessoires pour plus de détails. Votre revendeur peut vous aider et vous conseiller.

## CARACTÉRISTIQUES TECHNIQUES DU BLOC DE BATTERIE (EN OPTION)

|  |                 |
|--|-----------------|
| Bandes de fréquences pour Bluetooth          | 2400-2483.5 MHz |
| Puissance d'émission maximale pour Bluetooth | 8 dBm           |

## INFORMATIONS RELATIVES AU BRUIT

Niveau de pression acoustique  $L_{pA} = 87.48 \text{ dB(A)}$

$K_{pA} = 3.0 \text{ dB(A)}$

Niveau de puissance acoustique  $L_{wA} = 95.48 \text{ dB(A)}$

$K_{wA} = 0.97 \text{ dB(A)}$

**Porter des protections auditives.**



## INFORMATIONS RELATIVES AUX VIBRATIONS

Vibration total values (triax vector sum) determined according to EN 62841:

|                             |  |
|-----------------------------|--|
| Valeur de vibration mesurée | Arrière: $a_h = 2.42 \text{ m/s}^2$<br>Avant: $a_h = 2.50 \text{ m/s}^2$ |
| Incertitude                 | Arrière: $K = 1.5 \text{ m/s}^2$<br>Avant: $K = 1.5 \text{ m/s}^2$       |

La valeur totale de vibration déclarée et la valeur d'émission de bruit déclarée ont été mesurées conformément à la méthode d'essai standard et peuvent être utilisées pour comparer un outil à un autre.

La valeur totale de vibration déclarée et la valeur d'émission de bruit déclarée peuvent également être utilisées lors d'une évaluation préliminaire de l'exposition.

**AVERTISSEMENT:** les vibrations et les émissions de bruit au cours de l'utilisation réelle de l'outil électrique peuvent varier de la valeur déclarée en fonction du mode d'utilisation de l'outil, en particulier du type de pièce traité selon les exemples suivants et d'autres variations concernant le mode d'utilisation de l'outil:

Comment l'outil est utilisé et quels matériaux sont coupés ou percés.

L'outil est en bon état et bien entretenu.

L'utilisation du bon accessoire pour l'outil et l'assurance qu'il est affûté et en bon état.

La force avec laquelle vous serrez les poignées et l'utilisation éventuelle d'un quelconque accessoire anti-bruit et anti-vibration.

Et l'outil est utilisé comme prévu dans sa conception et dans les présentes instructions.


**Cet outil peut causer un syndrome de vibration du bras et de la main s'il n'est pas correctement géré.**

**AVERTISSEMENT:** Pour être précise, une évaluation du niveau d'exposition en conditions réelles d'utilisation doit également tenir compte de toutes les parties du cycle d'utilisation telles que les moments où l'outil est éteint, et ceux où il fonctionne au ralenti mais ne réalise pas réellement de tâche. Ceci peut réduire de façon significative le niveau

d'exposition et la période de fonctionnement totale. Facteurs contribuant à minimiser votre risque d'exposition aux vibrations et au bruit. Utilisez TOUJOURS des ciseaux, des forets et des lames affûtés.

Entretenez cet outil en accord avec les présentes instructions et maintenez-le lubrifié (si approprié). Si l'outil doit être fréquemment utilisé, investissez dans des accessoires anti-bruit et anti-vibration. Planifiez votre travail pour étaler toute utilisation d'outil à fortes vibrations sur plusieurs jours.

## PROTECTION DE L'ENVIRONNEMENT

 Les déchets d'équipements électriques et électroniques ne doivent pas être déposés avec les ordures ménagères. Ils sont collectés pour être recyclés dans des centres spécialisés. Consultez les autorités locales ou votre revendeur pour obtenir des renseignements sur l'organisation de la collecte.

## DECLARATION DE CONFORMITE

Nous  
Positec Germany GmbH  
Postfach 680194, 50704 Cologne, Germany

Positec déclare que le produit  
Descrizione **Taille-haie alimenté par batterie**  
Modèle **KC201 KC201.X (201-Désignation de la machine, modèle de taille-haie sans fil)**  
Fonction **Émondage des haies et des buissons**

Est conforme aux directives suivantes,  
**2006/42/EC, 2014/30/EU, 2011/65/EU & (EU)2015/863, 2000/14/EC amendée par 2005/88/EC**

2000/14/EC amendée par 2005/88/EC:

- Procédure d'évaluation de la conformité conformément à V
- Niveau de pression acoustique 95.48 dB (A)
- Niveau d'intensité acoustique 96.45 dB (A)

Et conforme aux normes,  
**EN 62841-1, EN 62841-4-2, EN ISO 3744, EN IEC 55014-1, EN IEC 55014-2, EN IEC 63000**

La personne autorisée à compiler le dossier  
Nom **Marcel Filz**  
Adresse **Positec Germany GmbH**  
Postfach **680194, 50704 Cologne, Germany**

The image shows a handwritten signature in black ink on the left, followed by the letters 'CE' in a large, bold, grey sans-serif font on the right.

2024/06/19

Allen Ding

Ingénieur en chef adjoint, Essais & Certification

Positec Technology (China) Co., Ltd

18, Dongwang Road, Suzhou Industrial

Park, Jiangsu 215123, P. R. China

# INDICE

|                                   |    |
|-----------------------------------|----|
| Introduzione.....                 | 44 |
| Elenco componenti.....            | 45 |
| Sicurezza del prodotto.....       | 46 |
| Assemblaggio e funzionamento..... | 49 |
| Trasporto.....                    | 53 |
| Manutenzione .....                | 53 |
| Pulizia.....                      | 54 |
| Conservazione.....                | 54 |
| Risoluzione dei problemi.....     | 54 |
| Dati tecnici.....                 | 55 |
| I Tutela ambientale.....          | 56 |
| Dichiarazione di conformità.....  | 56 |

## INTRODUZIONE

Gentile Cliente,

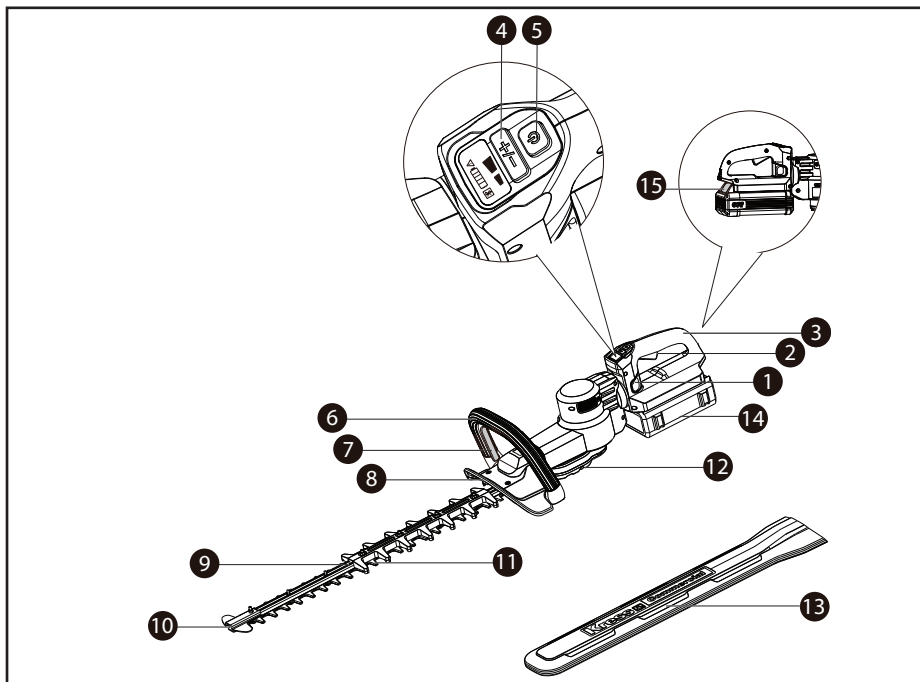
Grazie per aver acquistato questo prodotto Kress Commercial. Ci dedichiamo allo sviluppo di prodotti di alta qualità per soddisfare le vostre esigenze relative alla progettazione dei giardini.

Il marchio Kress è sinonimo di un servizio di prima qualità. Se avete domande o dubbi, per tutta la durata di utilizzo dei prodotti, nel corso degli anni, vi preghiamo di contattare il rivenditore presso il quale avete acquistato il prodotto, o il nostro Servizio clienti per ricevere assistenza.

Siamo sicuri che le piacerà lavorare con il suo prodotto Kress per gli anni a venire.

## USO CONFORME ALLE NORME

Questa macchina è destinata al taglio e alla potatura di siepi e cespugli in ambito professionale, per utilizzi leggeri o intensivi.



## ELEMENTI DELL'APPARECCHIO

- |     |  |
|-----|--|
| 1.  | INTERRUTTORE DI BLOCCO PER LA ROTAZIONE DELL'IMPUGNATURA POSTERIORE        |
| 2.  | DISPOSITIVO DI AZIONAMENTO   |
| 3.  | IMPUGNATURA POSTERIORE ROTANTE   |
| 4.  | PULSANTE DI CONTROLLO DELLA VELOCITÀ                                       |
| 5.  | INTERRUTTORE ON/OFF  |
| 6.  | IMPUGNATURA ANTERIORE  |
| 7.  | INTERRUTTORE DI COMANDO DELL'OPERATORE (FUNZIONE DI INTERRUTTORE GENERALE) |
| 8.  | PROTEZIONE   |
| 9.  | LAMA   |
| 10. | PROTEZIONE DELLA PUNTA   |
| 11. | PROTEZIONE POSTERIORE DELLA LAMA   |
| 12. | SCATOLA INGRANAGGI IN METALLO  |
| 13. | COPERTURA LAMA   |
| 14. | UNITÀ BATTERIA *   |
| 15. | PULSANTE DI RILASCIO DELLA BATTERIA  |

\* Accessori illustrati o descritti non fanno necessariamente parte del volume di consegna.

# ISTRUZIONI ORIGINALI SICUREZZA DEL PRODOTTO AVVISI GENERALI PER LA SICUREZZA DEGLI UTENSILI A MOTORE



**AVVERTENZA:** Leggere tutte le avvertenze di sicurezza, le istruzioni, le illustrazioni e le specifiche fornite con questo elettroutensile. La mancata osservanza delle istruzioni elencate di seguito potrebbe provocare una scossa elettrica, un incendio e/o lesioni gravi.

Conservare tutti gli avvisi e le istruzioni per poterle consultare quando necessario.

Il termine qui di seguito utilizzato «utensile elettrico» si riferisce ad utensili elettrici alimentati dalla rete (con linea di allacciamento), nonché ad utensili elettrici alimentati a pile (senza linea di allacciamento).

## 1) Posto di lavoro

- a) **Mantenere pulito ed ordinato il posto di lavoro.** Il disordine e le zone di lavoro non illuminate possono essere fonte di incidenti.
- b) **Evitare d'impiegare l'utensile in ambienti soggetti al rischio di esplosioni nei quali si trovino liquidi, gas o polveri infiammabili.** Gli utensili elettrici producono scintille che possono far infiammarsi la polvere o i gas.
- c) **Mantenere lontani i bambini ed altre persone durante l'impiego dell'utensile elettrico.** Eventuali distrazioni potranno comportare la perdita del controllo sull'utensile.

## 2) Sicurezza elettrica

- a) **La spina per la presa di corrente dovrà essere adatta alla presa.** Evitare assolutamente di apportare modifiche alla spina. Non impiegare spine adattatrici assieme ad utensili con collegamento a terra. Le spine non modificate e le prese adatte allo scopo riducono il rischio di scosse elettriche.
- b) **Evitare il contatto fisico con superfici collegate a terra, come tubi, riscaldamenti, cucineelettriche e frigoriferi.** Sussiste un maggior rischio di scosse elettriche nel momento in cui il corpo è messo a massa.
- c) **Non utilizzare la macchina in condizioni di pioggia o umidità.** Questo potrebbe aumentare il rischio di scosse elettriche. Una volta bagnata dalla pioggia durante il funzionamento, la macchina e la batteria devono essere asciugate prima di riporle o caricarle. Rimuovere la batteria e reinserirla se la macchina non si accende. Mantenere il collegamento della batteria libero da sporcizia e detriti e pulirlo con una spazzola o un panno morbido e asciutto.
- d) **Non usare il cavo per scopi diversi da quelli**

previsti al fine di trasportare o appendere l'apparecchio, oppure di togliere la spina dalla presa di corrente. Mantenere l'utensile al riparo da fonti di calore, dall'olio, dagli spigolio da parti di strumenti in movimento. I cavi danneggiati o aggrovigliati aumentano il rischio d'insorgenza di scosse elettriche.

- e) **Qualora si voglia usare l'utensile all'aperto, impiegare solo ed esclusivamente cavi di prolunga omologati per l'impiego all'esterno.** L'uso di un cavo di prolunga omologato per l'impiego all'esterno riduce il rischio d'insorgenza di scosse elettriche.
  - f) **Se si deve utilizzare l'utensile a motore in un luogo umido, utilizzare una fonte di alimentazione con protezione a corrente residua.** L'uso di un dispositivo a corrente residua reduce il rischio di folgorazioni elettriche.
- ## 3) Sicurezza delle persone
- a) **È importante concentrarsi su ciò che si sta facendo e a maneggiare con giudizio l'utensile elettrico durante le operazioni di lavoro.** Non utilizzare l'utensile in caso di stanchezza o sotto l'effetto di droghe, bevande alcoliche e medicinali. Un attimo di distrazione durante l'uso dell'utensile potrà causare lesioni gravi.
  - b) **Indossare sempre equipaggiamento protettivo individuale, nonché guanti protettivi.** Se si avrà cura d'indossare equipaggiamento protettivo individuale come la maschera antipolvere, la calzatura antidrucciolevole di sicurezza, il casco protettivo o la protezione dell'udito, a seconda dell'impiego previsto per l'utensile elettrico, si potrà ridurre il rischio di ferite.
  - c) **Evitare avviamenti involontari. Controllare che l'interruttore sia nella posizione off prima di effettuare il collegamento a una sorgente di alimentazione/batteria, e prima di sollevare o trasportare l'utensile.** Il fatto di tenere il dito sopra all'interruttore o di collegare l'utensile acceso all'alimentazione di corrente potrà essere causa di incidenti.
  - d) **Togliere gli attrezzi di regolazione o la chiave inglese prima di accendere l'utensile.** Un utensile o una chiave inglese che si trovino in una parte di strumento in rotazione potranno causare lesioni.
  - e) **È importante non sopravvalutarsi. Avere curadi mettersi in posizione sicura e di mantenere l'equilibrio.** In tale maniera sarà possibile controllare meglio l'apparecchio in situazioni inaspettate.
  - f) **Indossare indumenti adeguati. Evitare di indossare vestiti non aderenti o gioielli.** Tenere i capelli e gli indumenti lontani dalle parti mobili. Vestiti lenti, gioielli o capelli lunghi potranno impigliarsi in pezzi in movimento.
  - g) **Se sussiste la possibilità di montare dispositivi di aspirazione o di captazione della polvere, assicurarsi che gli stessi siano**

- stati installati correttamente e vengano utilizzati senza errori. *L'impiego dei suddetti dispositivi diminuisce il pericolo rappresentato dalla polvere.*
- h) Non lasciare che la familiarità acquisita con l'utilizzo frequente dell'elettrotensile si trasformi in autocompiacimento e trascuratezza dei principi di sicurezza.** *Un'azione imprudente può causare lesioni gravi entro una frazione di secondo.*
- 4) Maneggio ed impiego accurato di utensili elettrici**
- a) Non sovraccaricare l'utensile. Impiegare l'utensile elettrico adatto per sbrigare il lavoro.** *Utilizzando l'utensile elettrico adatto si potrà lavorare meglio e con maggior sicurezza nell'ambito della gamma di potenza indicata.*
- b) Non utilizzare utensili elettrici con interruttori difettosi.** *Un utensile elettrico che non si può più accendere o spegnere è pericoloso e dovrà essere riparato.*
- c) Scollegare la spina dalla sorgente di alimentazione e/o la batteria dall'utensile prima di effettuare regolazione, cambiare accessori, o riporre gli utensili a motore.** *Tale precauzione eviterà che l'apparecchio possa essere messo in funzione inavvertitamente.*
- d) Custodire gli utensili elettrici non utilizzati al di fuori della portata dei bambini. Non fare usare l'apparecchio a persone che non sono abituate ad usarlo o che non abbiano letto le presenti istruzioni.** *Gli utensili elettrici sono pericolosi se utilizzati da persone inesperte.*
- e) Effettuare accuratamente la manutenzione dell'apparecchio.** *Verificare che le parti mobili dello strumento funzionino perfettamente e non s'inceppino, che non ci siano pezzi rotti o danneggiati al punto tale da limitare la funzione dell'apparecchio stesso. Far riparare le parti danneggiate prima d'impiegare l'apparecchio. Numerosi incidenti vengono causati da utensili elettrici la cui manutenzione è stata effettuata poco accuratamente.*
- f) Mantenere affilati e puliti gli utensili da taglio.** *Gli utensili da taglio curati con particolare attenzione e con taglienti affilati s'inceppano meno frequentemente e sono più facili da condurre.*
- g) Utilizzare utensili elettrici, accessori, attrezzi, ecc. in conformità con le presenti istruzioni e secondo quanto previsto per questo tipo specifico di apparecchio.** *Osservare le condizioni di lavoro ed il lavoro da eseguirsi durante l'impiego. L'impiego di utensili elettrici per usi diversi da quelli consentiti potrà dar luogo a situazioni di pericolo.*
- h) Mantenere le impugnature e le superfici di presa asciutte, pulite e prive di olio e grasso.** *Le impugnature e le superfici di presa scivolose non permettono l'uso e il controllo sicuri dell'elettrotensile in situazioni impreviste.*
- 5) Maneggio ed impiego accurato di accumulatori**
- a) Caricare l'accumulatore solo ed esclusivamente nei dispositivi di carica consigliati dal produttore.** *Per un dispositivo di carica previsto per un determinato tipo di accumulatore, sussiste pericolo di incendio, se utilizzato con un accumulatore di tipo diverso.*
- b) Utilizzare negli utensili elettrici solo ed esclusivamente gli accumulatori previsti allo scopo.** *L'uso di accumulatori di tipo diverso potrà dare insorgenza a lesioni e comportare il rischio d'incendi.*
- c) Tenere l'accumulatore non utilizzato lontano da graffette, monete, chiavi, chiodi, viti o da altri oggetti in metallo di piccole dimensioni che potrebbero causare un ponte tra i contatti.** *Un eventuale corto circuito tra i contatti dell'accumulatore potrà dare origine a bruciature o ad incendi.*
- d) In caso di impiego sbagliato, potranno insorgere fuoriuscite di liquido dall'accumulatore. Evitarne il contatto. In caso di contatto casuale, sciacquare con acqua.** *Qualora il liquido dovesse entrare in contatto con gli occhi, chiedere immediato consiglio al medico. Il liquido fuoriuscito dall'accumulatore potrà causare irritazioni cutanee o bruciature.*
- e) Non utilizzare una batteria o un elettrotensile danneggiati o modificati.** *Le batterie danneggiate o modificate potrebbero manifestare un comportamento imprevedibile con la possibilità di causare un'esplosione o un incendio.*
- f) Non esporre una batteria o un utensile al fuoco o a temperature elevate.** *L'esposizione al fuoco o a una temperatura superiore a 130 °C potrebbe provocare un'esplosione.*
- g) Seguire tutte le istruzioni per la carica e non caricare la batteria o l'elettrotensile a una temperatura che non rientri nell'intervallo di valori specificato nelle istruzioni.** *Una ricarica effettuata in maniera scorretta o a una temperatura che non rientra nell'intervallo di valori specificato, potrebbe danneggiare la batteria aumentando il rischio d'incendio.*
- 6) Assistenza**
- a) Fare riparare l'apparecchio solo ed esclusivamente da personale specializzato e solo impiegando pezzi di ricambio originali.** *In tale maniera potrà essere salvaguardata la sicurezza dell'apparecchio.*
- b) Non riparare le batterie danneggiate.** *Gli interventi di riparazione sulle batterie devono essere eseguiti dal costruttore o da fornitori di assistenza autorizzati.*

# NORME DI SICUREZZA SUPPLEMENTARI RELATIVE ALL'USO DEL TAGLIASIEPI A BATTERIA

- a) Evitare di usare il tosasiepi in condizioni di maltempo, in particolare quando sussiste il pericolo di fulmini. *Ciò ridurrà il pericolo di venire colpiti da un fulmine.*
- b) Tenere tutti i fili e i cavi di alimentazione lontani dall'area di taglio. *I fili o i cavi di alimentazione potrebbero rimanere nascosti nelle siepi o nei cespugli e di conseguenza venire tagliati accidentalmente dalla lama.*
- c) Indossare protezioni auricolari. *Un equipaggiamento protettivo adeguato ridurrà il rischio di perdita dell'udito.*
- d) Afferrare lo strumento per le apposite maniglie quando si eseguono operazioni durante le quali l'attrezzo potrebbe entrare in contatto con cavi nascosti. *Il contatto con cavi elettrici in tensione espone l'operatore al rischio di scosse elettriche.*
- e) Tenere tutte le parti del corpo distanti dalla lama di taglio. Non rimuovere il materiale tagliato e non tenere il materiale da tagliare quando le lame sono in movimento. *Le lame continuano a girare dopo lo spegnimento. È sufficiente un momento di disattenzione nell'uso del tosasiepi per provocare gravi lesioni personali.*
- f) Durante la rimozione del materiale incastrato o per la manutenzione dell'unità, assicurarsi che tutti gli interruttori siano spenti e che il pacco batteria sia stato rimosso o scollegato. *L'azionamento involontario del tosasiepi durante la rimozione di materiale incastrato o la manutenzione può provocare gravi lesioni personali.*
- g) Trasportare il tosasiepi prendendolo dall'impugnatura con la lama di taglio ferma e assicurandosi di non azionare l'interruttore di alimentazione. *Se il tosasiepi viene maneggiato in modo corretto, si riducono le possibilità di lesioni causate dalle lame di taglio.*
- h) Durante il trasporto o la conservazione del tosasiepi, reinserire sempre il coprilama. *La gestione corretta del tosasiepi ridurrà il pericolo di lesioni personali dovute alle lame.*
- i) Controllare il cespuglio per la presenza di oggetti estranei, per esempio recinzioni metalliche e cavi nascosti.
- j) Tenere il tosasiepi in modo corretto, ossia con entrambe le mani sulle due impugnature, se presenti.
- k) Il tosasiepi è destinato ad essere usato dall'utente a livello del suolo e non su scale o qualsiasi altro supporto instabile.
- l) Prima di utilizzare il tosasiepi, l'utente deve assicurarsi che il/i dispositivo/i di bloccaggio di tutti gli elementi mobili (ad esempio l'albero esteso e l'elemento rotante), se presenti, siano in posizione di blocco.

- m) Eseguire a intervalli regolari la manutenzione di tutti i meccanismi di arresto regolabili.
- n) Non sollevare o trasportare il tagliasiepi usando un solo manico.

## ISTRUZIONI PER LA SICUREZZA DEL PACCO BATTERIA

- a) Non smontare, aprire o strappare le celle secondarie o il pacco batteria.
- b) Non cortocircuitare un pacco batteria. Non conservare un pacco batteria disordinatamente in una scatola o un cassetto in cui potrebbero cortocircuitarsi tra essi o essere cortocircuitati da altri oggetti metallici. Quando il pacco batteria non è in uso, tenerlo lontano da altri oggetti metallici come graffette, monete, chiavi, chiodi, viti e altri piccoli oggetti metallici, potrebbe avverarsi un collegamento tra i due terminali. Collegare i terminali della batteria potrebbe causare incendi o ustioni.
- c) Non esporre il pacco batteria a calore o fuoco. Evitare di conservarli alla luce diretta del sole.
- d) Non sottoporre il pacco batteria a scosse meccaniche.
- e) In caso di perdite da una cella, evitare che il liquido entri in contatto con la pelle o gli occhi. In caso di contatto, lavare l'area interessata con abbondante acqua e consultare un medico.
- f) Tenere le celle e il pacco batteria puliti e asciutti.
- g) Pulire i terminali delle celle e del pacco batteria con un panno pulito e asciutto nel caso in cui si sporchino.
- h) Il pacco batteria deve essere caricato prima dell'uso. Utilizzare sempre il caricatore corretto e consultare le istruzioni.
- i) Non lasciare un pacco batteria in carica se non in uso.
- j) Dopo lunghi periodi di conservazione, potrebbe essere necessario caricare e scaricare le celle o il pacco batteria diverse volte per ottenere le massime prestazioni.
- k) Ricaricare solo con il caricatore specificato da Kress. Non utilizzare caricatori diversi da quelli forniti per l'uso specifico con l'apparecchiatura.
- l) Non utilizzare un pacco batteria non progettato per l'uso con l'apparecchiatura.
- m) Tenere il pacco batteria fuori dalla portata dei bambini.
- n) Conservare i documenti originali del prodotto per riferimenti futuri.
- o) Rimuovere la batteria dall'apparecchiatura, se non in uso.
- p) Smaltire adeguatamente.
- q) Non mischiare batterie di diverse marche, capacità, dimensioni o tipologia nello stesso dispositivo.
- r) Tenere la batteria lontano da microonde e alta pressione.
- s) Attenzione! Non utilizzare batterie non

ricaricabili.

## REQUISITI DEL MANUALE D'USO PER IL PRODOTTO WIRELESS


- a) Il funzionamento di questo dispositivo è soggetto alla due seguenti condizioni:  
(1) Questo dispositivo non deve causare interferenze pericolose, e  
(2) questo dispositivo deve accettare qualsiasi interferenza ricevuta, incluse quelle che potrebbero causare un funzionamento indesiderato.
- b) Attenzione: Cambiamenti o modifiche a questa unità non espressamente approvate dai responsabili in materia di conformità potrebbero invalidare il diritto dell'utente ad utilizzare l'apparecchiatura.
- c) **NOTA:** Questa apparecchiatura genera, utilizza e può irradiare energia a radiofrequenza e, se non installata e utilizzata in conformità alle istruzioni, può causare interferenze dannose alla comunicazione radio. Tuttavia, non vi è alcuna garanzia che non si verifichino interferenze in una installazione specifica. Se questo dispositivo causa interferenze dannose alla ricezione radio o televisiva, che possono essere individuate spegnendo e riaccendendo il dispositivo, l'utente è incoraggiato a cercare di correggere l'interferenza eseguendo una o più delle seguenti misure:
- Riorientare o spostare l'antenna ricevente.
  - Accrescere la distanza tra l'apparecchiatura e il ricevitore.
  - Collegare l'apparecchiatura ad una presa su un circuito diverso da quello al quale è collegato il ricevitore.
  - Consultare il rivenditore o un tecnico radiotelevisivo esperto.

## SIMBOLI

|  |   |
|--|---|
|  | Per ridurre il rischio di lesioni, l'utente deve leggere il manuale di istruzioni |
|  | Attenzione  |
|  | Indossare protezione per gli occhi.   |
|  | Indossare protezione per le orecchie.   |

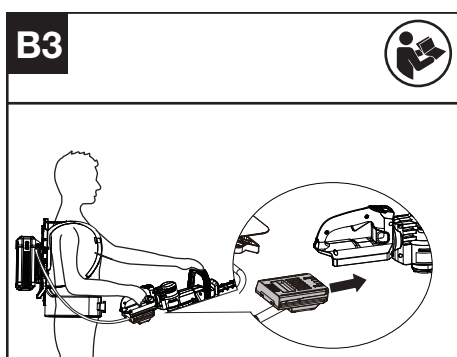
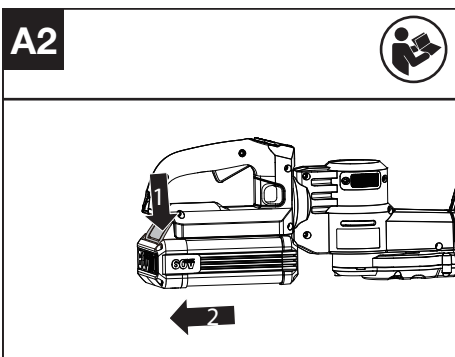
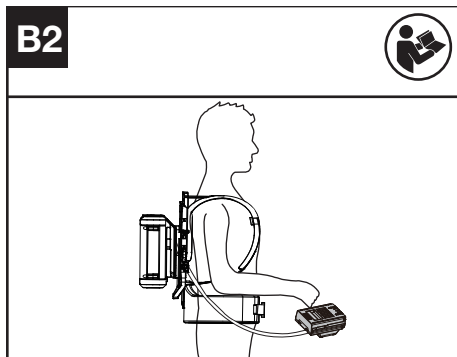
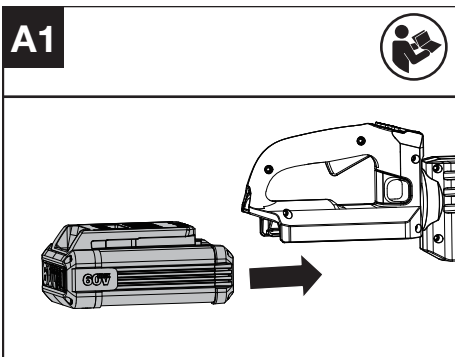
|  |  |
|--|--|
|    | Indossare una mascherina antipolvere.  |
|   | Tenere le mani lontane dalla lama  |
|   | Indossare guanti protettivi  |
|   | Non bruciare   |
|   | Se smaltite in maniera scorretta, le batterie potrebbero entrare nel ciclo dell'acqua, con conseguenti rischi per l'ambiente. Non smaltire le batterie esaurite nei rifiuti generici.  |
| <br>Li-Ion<br> | Batteria agli ioni di litio (Li-Ion). Questo prodotto è stato contrassegnato con un simbolo riguardante la raccolta differenziata per tutti i pacchi batteria. La batteria sarà poi riciclata o demolita allo scopo di ridurre l'impatto ambientale. I pacchi batteria possono costituire un pericolo per l'ambiente e per la salute umana in quanto contengono sostanze pericolose. |
|   | I prodotti elettrici non possono essere gettati tra i rifiuti domestici. L'apparecchio da rottamare deve essere portato al centro di riciclaggio per un corretto trattamento. Controllare con le autorità locali o con il rivenditore per localizzare il centro di riciclaggio più vicino.   |
|   | Assicurarsi che la batteria venga rimossa prima di sostituire gli accessori.   |

## MONTAGGIO E FUNZIONAMENTO

 **NOTA:** Leggere scrupolosamente il manuale delle istruzioni prima di usare l'attrezzo.

 **PRIMA DI USARE:**

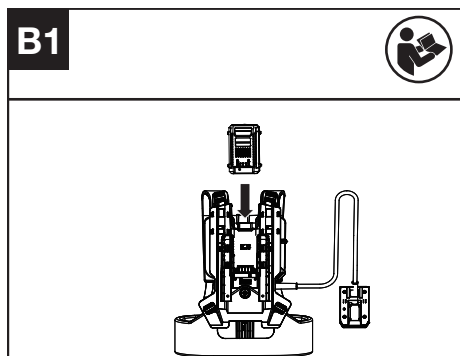
**Rimozione e installazione dell'unità batteria (Vedi fig. A1,A2)**



1. Far scorrere la batteria nell'apposito vano fino a sentire uno scatto.
2. Premere il pulsante di rilascio della batteria per rimuovere la batteria dall'utensile.

### Collegamento del tosasiepi all'imbracatura per zaino (Vedi Fig. B1,B2,B3)

Installare il pacco batteria nell'imbracatura per zaino, poi inserire il connettore nell'apparecchio. Indossare l'imbracatura per zaino. Maggiori dettagli si trovano nel manuale dell'imbracatura dello zaino.



### Testare il tosasiepi e la batteria (Vedi Fig. C)

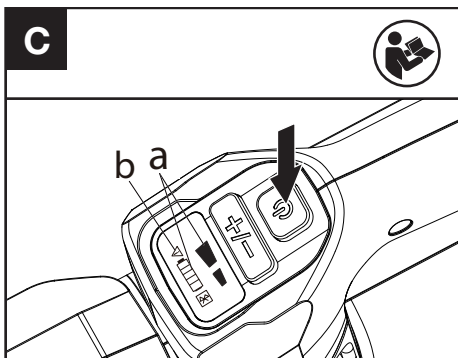
#### Controllo dei comandi Leva dell'interruttore anteriore e leva dell'interruttore posteriore

1. Rimuovere la batteria.
2. Premere e rilasciare la leva dell'interruttore anteriore e la leva dell'interruttore posteriore. Se la leva dell'interruttore posteriore o quella dell'interruttore anteriore si blocca e non riesce a tornare nella posizione originaria. Interrompere l'utilizzo del tosasiepi e contattare il servizio di assistenza.

#### Controllo del display

1. Inserire la batteria.
2. Tenere premuto l'interruttore di accensione/spengimento.  
Il prodotto è acceso quando il LED (a) è acceso.  
Il prodotto è spento quando il LED (a) è spento.
3. Se l'indicatore di avvertenza (b) si accende o lampeggia, consultare la sezione **Risoluzione** dei problemi per individuare le risoluzioni.
4. Premere la leva dell'interruttore anteriore, quindi premere la leva dell'interruttore posteriore per avviare la macchina.
5. Rilasciare la leva dell'interruttore posteriore. Il tosasiepi si arresta. Se il tosasiepi non si ferma, rimuovere la batteria e contattare il servizio di

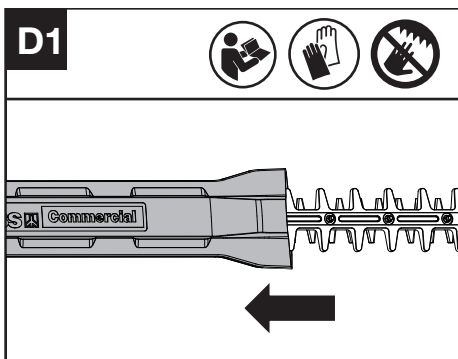
assistenza.



## FUNZIONAMENTO

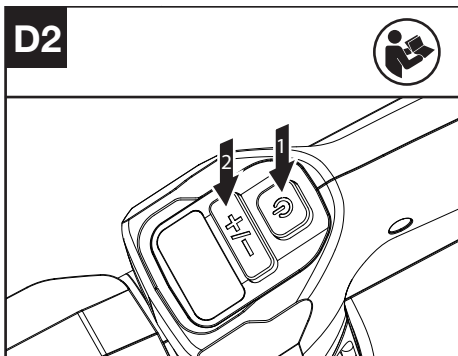
### Azionamento e arresto

Prima dell'uso, rimuovere il fodero della lama. (Vedi Fig. D1)



### Scegliere la velocità

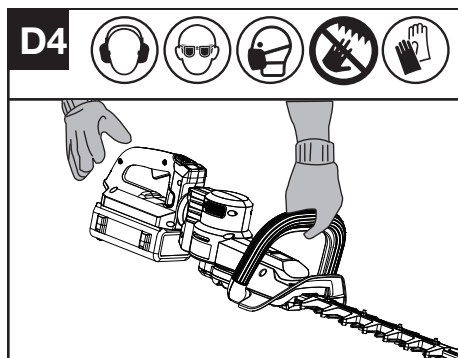
1. Premere l'interruttore On/Off.
2. Premere il pulsante di controllo della velocità per impostare la velocità desiderata. (Vedi Fig. D2)



Premere la leva dell'interruttore anteriore e la leva dell'interruttore posteriore per avviare. (Vedi Fig. D3)



Rilasciare la leva dell'interruttore posteriore e la leva di quello anteriore per l'arresto. (Vedi Fig. D4)



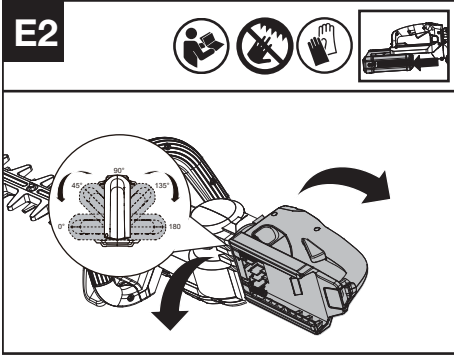
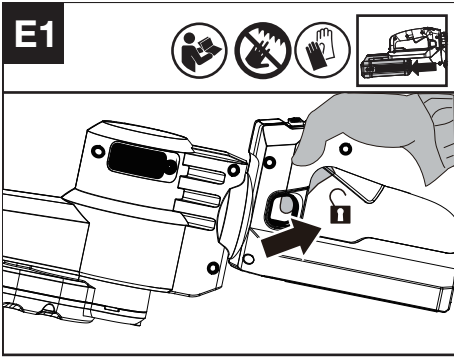
Quando l'apparecchio non è in uso, spegnere il tosasiepi e scollegarlo dall'imbracatura per zaino.

### Impugnatura posteriore rotante (Vedi Fig. E1, E2)

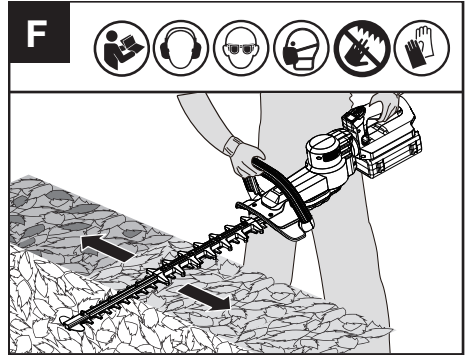
**NOTA:** Prima di ruotare l'impugnatura sbloccare l'interruttore di bloccaggio; Dopo aver ruotato l'impugnatura nella posizione desiderata, regolarla fino ad avvertire un clic.

**AVVERTENZA:** Prima dell'uso assicurarsi che l'impugnatura sia bloccata nella posizione desiderata.

Prima di avviare il tagliaerba assicurarsi che l'interruttore di bloccaggio sia bloccato. Non ruotare l'impugnatura mentre il tagliaerba è in uso.



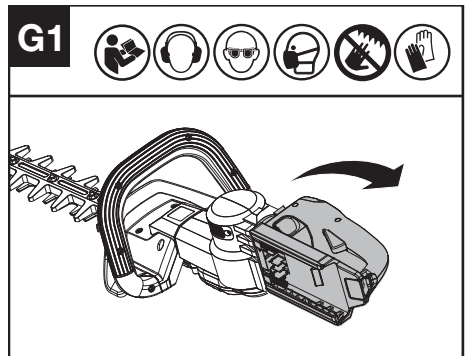
**! AVVERTENZA:** Qualora vi fossero parti mancanti, danneggiate o rotte, non utilizzare il tagliasepi finché tutte le parti danneggiate non saranno sostituite o riparate. In caso contrario potrebbero verificarsi lesioni personali gravi. **NON USARE L'APPARECCHIO SENZA AVER MONTATO LA PROTEZIONE E L'IMPUGNATURA ANTERIORE.**



**Taglio frontale e laterale (Vedi Fig. G1, G2)**

Quando si procede al taglio frontale e laterale, cominciare sempre dal basso verso l'alto arrotondando il lato della siepe. Questa forma esporrà al sole più superficie della siepe e quindi permetterà una crescita uniforme della stessa.

**! AVVERTENZA:** Prima di ruotare l'impugnatura arrestare il tagliasepi.



**Come utilizzare il tagliasepi**

Prima di tagliare una zona, ispezionarla e rimuovere tutti gli oggetti estranei che possono essere lanciati o impigliarsi nelle lame. Tenere sempre il taglia siepe con entrambe le mani e indirizzare la lama lontano da sé prima di accendere l'attrezzo.

Iniziare a tagliare quando il motore ha raggiunto la velocità di regime. Utilizzare l'apparecchio lontano da persone e corpi solidi come muro, grosse pietre, automobili, ecc.

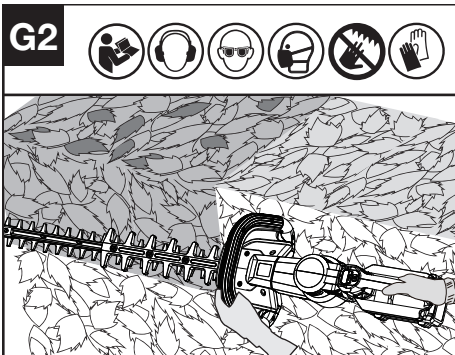
Consentire alle lame di raggiungere la massima velocità prima di tagliare. Durante l'uso tenere le lame di taglio lontane dalle persone e da oggetti come pareti, grosse pietre, alberi, veicoli, eccetera. Se la lama va in stallo, spegnere immediatamente il tagliasepi. Rilasciare i due interruttori prima di tentare di eliminare l'accumulo di sporcizia dalle lame.

Indossare guanti da lavoro quando si tagliano crescite pungenti o spinose.

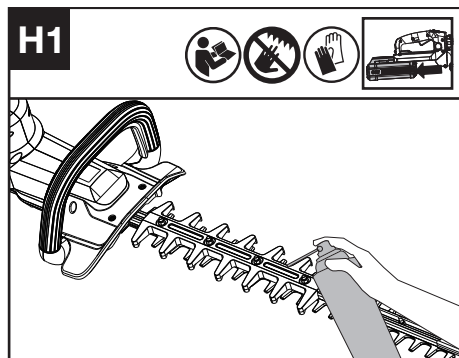
Non tentare di tagliare steli troppo grossi per la lama di taglio.

**Taglio orizzontale superiore (Vedi Fig. F)**

Usare ampi movimenti laterali sinistra e destra. Una leggera inclinazione della lama verso il basso, nella direzione di taglio, permetterà migliori risultati.



utilizzare esclusivamente l'olio lubrificante standard raccomandato (WD-40).



## TRASPORTO

### Trasporto del taglia siepi

1. Spegnerne il taglia siepi e rimuovere la batteria.
2. Quando si trasporta il taglia siepi a mano, tenere il centro dell'albero con la testa di taglio nella parte posteriore e assicurarsi che la macchina sia parallela al terreno.
3. Quando si trasporta il taglia siepi in un veicolo, fissarlo e posizionarlo per evitare movimenti o danni.

### Trasporto della batteria

1. Assicurarsi che la batteria sia in condizioni di sicurezza.
2. Utilizzare imballaggi non conduttivi durante il trasporto della batteria.
3. Le batterie agli ioni di litio contenute sono soggette ai requisiti della legislazione sulle merci pericolose.  
 Trasportare le batterie solo quando l'alloggiamento della batteria non è danneggiato. Imballare le batterie in modo che non possano spostarsi all'interno dell'imballaggio.

### Lubrificazione della scatola ingranaggi (Vedi Fig. H2)

Rimuovere il tappo a vite dalla scatola ingranaggi. Lubrificare la scatola degli ingranaggi attraverso il foro dell'olio dopo ogni 50 ore di funzionamento. Rimuovere le viti dal coperchio della scatola ingranaggi, poi rimuovere il coperchio. Provvedere alla lubrificazione dopo ogni 300 ore di funzionamento.

**NOTA:** per un funzionamento ottimale e una maggiore durata, lubrificare la scatola degli ingranaggi del tosasiepi con del grasso (SHELL Gadus S2 V220 1).

## MANUTENZIONE

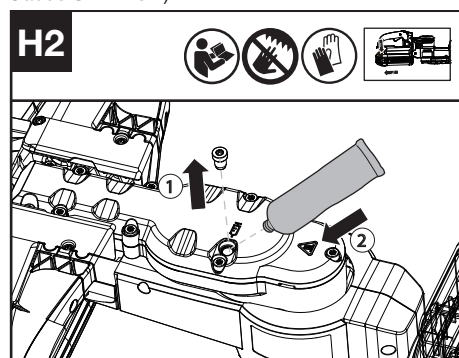
**⚠ AVVERTENZA!** Rimuovere sempre la batteria prima di eseguire qualsiasi intervento di manutenzione sul taglia siepi.

**Togliere la batteria prima di effettuare qualsiasi regolazione, manutenzione o riparazione.**

All'interno dell'attrezzo non ci sono parti riparabili da parte dell'utente. Non usare mai acqua o detergenti chimici per pulire l'attrezzo. Pulire con un panno asciutto. Immagazzinare sempre gli attrezzi elettrici in luoghi asciutti. Tenere pulite le aperture di ventilazione del motore. Tenere puliti dalla polvere tutti i controlli operativi.

### Lubrificare La Lama (Vedi Fig. H1)

**NOTA:** Per evitare danni alla lama è importante



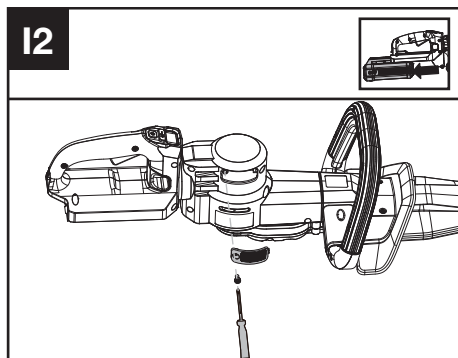
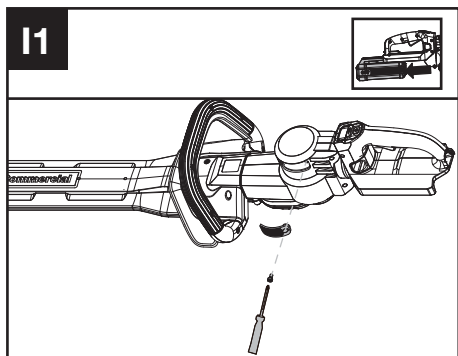
### AFFILATURA

**⚠ AVVERTENZA:** Evitare di utilizzare l'apparecchio se presenta lame da taglio smussate o danneggiate, in quanto ciò comporterebbe un sovraccarico e prestazioni indesiderate. Quando le prestazioni di taglio cominciano a diminuire, provvedere alla riaffilatura della lama. Quando le prestazioni di taglio tendono a diminuire, si consiglia di rivolgersi a un professionista per affilare nuovamente la lama. Indossare sempre guanti protettivi quando si maneggia la lama del taglia siepi, e affilare solo il bordo di taglio. Affilare solo il bordo di taglio. Evitare

di levigare le parti sporgenti smussate della lama di taglio o della sua protezione. Utilizzare una cote per rimuovere le sbavature dal bordo di taglio. Dopo l'affilatura, rimuovere la polvere dalla lama.

### Pulizia del filtro dell'aria (Vedi Fig. I1, I2)

1. Pulire l'area intorno al filtro dell'aria. Utilizzare un panno umido o una spazzola morbida.
2. Svitare e rimuovere il filtro dell'aria.
3. Lavare il filtro dell'aria con acqua corrente per rimuovere lo sporco.
4. Far asciugare il filtro dell'aria all'aria. Quindi reinstallarlo nell'alloggiamento serrando la vite.



### PULIZIA

1. Spegnerne il tagliaseipi e rimuovere la batteria.
2. Non utilizzare detergenti o solventi aggressivi. Dopo l'uso, pulire la macchina con un panno umido imbevuto con detergente delicato.
3. Mantenere il collegamento della batteria libero da sporco e impurità, e pulirlo con una spazzola morbida e asciutta o con un panno.
4. Non spruzzare acqua sul motore e sui componenti elettrici.
5. Non usare l'idropulitrice per pulire la macchina.

## CONSERVAZIONE

1. Rimuovere la batteria dal tagliaseipi prima di riporlo.
2. Conservare il tagliaseipi in un luogo asciutto e sicuro, non accessibile a bambini e persone non autorizzate.
3. La batteria deve essere conservata a una temperatura compresa tra i 5°C (41°F) e i 25°C (77°F). Si consiglia dunque, ad esempio, di non lasciare la batteria nell'auto durante il periodo estivo.
4. Una volta bagnata dalla pioggia durante il funzionamento, la macchina e la batteria devono essere asciugate prima di riporle o caricarle. Rimuovere la batteria e reinserirla se la macchina non si accende.

## PER GLI UTENSILI A BATTERIA

L'intervallo di temperatura ambiente consigliato per lo scarico è di -20°C ~45°C (-4°F~113°F). La temperatura ambientale raccomandata per il caricabatterie durante la ricarica è di -5°C~45°C (23°F~113°F).

## RISOLUZIONE DEI PROBLEMI

La tabella seguente elenca possibili problemi e azioni che potete intraprendere nel caso in cui la macchina non funzioni correttamente.

**⚠ Attenzione: spegnere la macchina e rimuovere la batteria prima di procedere alla risoluzione dei problemi.**

### DECESPUGLIATORE

| Problemi                             | Possibili cause                | Soluzione  |
|--------------------------------------|--------------------------------|--|
| Indicatore LED batteria lampeggiante | Bassa tensione della batteria. | Caricare la batteria.  |
| LED errore rosso lampeggiante        | Sovraccarico.                  | L'accessorio di taglio è inceppato<br>Disattivare il prodotto. Rimuovere la batteria. Pulire l'accessorio da taglio da materiali indesiderati. |
|                                      | Problema di temperatura.       | Lasciare raffreddare il prodotto.  |
|                                      | Altri problemi                 | Contattare l'addetto all'assistenza  |


|  |  |   |
|--|--|---|
| Il motore non si avvia                       | Detriti nei connettori della batteria.                   | Pulire i connettori della batteria con aria compressa o una spazzola morbida. |
|  | Altri problemi   | Contattare l'addetto all'assistenza   |
| Il tagliasepi funziona in modo intermittente | La batteria non è completamente inserita nella macchina. | Inserire completamente la batteria.   |
|  | Potenziale problema elettrico.                           | Contattare l'addetto all'assistenza   |
| Vibrazioni/ rumore eccessivi.                | Problema con l'accessorio di taglio. Macchina difettosa. | Sostituire l'accessorio di taglio. Contattare l'addetto all'assistenza        |

## BATTERIA

| Problemi           | Possibili cause          | Soluzione  |
|--------------------|--------------------------|--|
| Spia LED di errore | La batteria è scarica    | Caricare la batteria. Se la batteria non si carica, contattare l'addetto all'assistenza.   |
|                    | Problema di temperatura. | Utilizzare la batteria in ambienti con temperature comprese tra -5°C e 45°C (da 23°F a 113°F) per la ricarica; da -20°C a 45°C (da -4°F a 113°F) per la scarica. |
|                    | Altri                    | Contattare l'addetto all'assistenza.   |

## DATI TECNICI

Codice: **KC201 KC201.X (201- designazione della macchina, rappresentativa del tagliasepi a batteria)**

|                        | <b>KC201 KC201.X**</b>   |
|------------------------|--|
| Voltaggio              | 60 V  MAX *** |
| Velocità di taglio     | 4400/5000 SPM  |
| Lunghezza della lama   | 63 cm (25")  |
| Spaziatura tra i denti | 30 mm (1.18 inch)  |

|                      |                  |
|----------------------|------------------|
| Grado di protezione  | IPX4             |
| Peso (Utensile nudo) | 3.8 kg (8.3 lbs) |

\*\* X = 1-999 ,A-Z , M1-M9 solo per clienti diversi, non ci sono cambiamenti rilevanti sicuri tra questi modelli.

\*\*\* Voltaggio misurato senza carico. Il voltaggio iniziale della batteria raggiunge un massimo di 60 volt. Il voltaggio nominale è di 54 volt.

## BATTERIE E CARICABATTERIE CONSIGLIATI

| Batteria                           | Capacità | Caricabatteria | Amperage |
|------------------------------------|----------|----------------|----------|
| KAC800                             | 4 Ah     | KAC840         | 30 A     |
| KAC810 (Con imbracatura per zaino) | 11 Ah    |                |          |
| KA3000                             | 2.0 Ah   |                |          |

Si consiglia di acquistare gli accessori presso lo stesso rivenditore presso il quale è stato acquistato l'utensile. Per ulteriori dettagli, consultare la confezione degli accessori. Il rivenditore può fornirvi assistenza e consigliarvi.

## DATI TECNICI DEL PACCO BATTERIE (OPZIONALE)

|   |                 |
|---|-----------------|
| Banda di frequenza per Bluetooth        | 2400-2483.5 MHz |
| Potenza Massima Trasmessa per Bluetooth | 8 dBm           |

## INFORMAZIONI SUL RUMORE

|                              |                                |
|------------------------------|--------------------------------|
| Pressione acustica ponderata | $L_{pA} = 87.48 \text{ dB(A)}$ |
| $K_{pA}$                     | 3.0 dB(A)                      |
| Potenza acustica ponderata   | $L_{WA} = 95.48 \text{ dB(A)}$ |
| $K_{WA}$                     | 0.97 dB(A)                     |

**Indossare protezione per le orecchie**



# INFORMAZIONI SULLA VIBRAZIONE

I valori totali di vibrazione sono determinati secondo lo standard EN 62841:

|                             |   |
|-----------------------------|---|
| Vibrazione ponderata tipica | Posteriore: $a_h = 2.42 \text{ m/s}^2$<br>Anteriore: $a_h = 2.50 \text{ m/s}^2$ |
| Incertezza                  | Posteriore: $K = 1.5 \text{ m/s}^2$<br>Anteriore: $K = 1.5 \text{ m/s}^2$       |

Il valore totale di emissione di vibrazioni dichiarato e il valore di emissioni sonore dichiarati sono stati misurati in base a un metodo di collaudo standard e possono essere utilizzati per il confronto di un utensile con un altro.

Il valore totale di emissione di vibrazioni dichiarato e il valore di emissioni sonore dichiarato possono anche essere utilizzati in una valutazione preliminare dell'esposizione.

**AVVERTENZA:** le emissioni di vibrazioni e sonore durante l'uso effettivo dell'elettrotensile possono differire dal valore dichiarato in base alle modalità con cui esso viene utilizzato. In particolare quale tipo di pezzo viene lavorato dipende dai seguenti fattori e da altre variazioni sulle modalità di utilizzo dell'elettrotensile:

Come viene usato l'elettrotensile e quali sono i materiali tagliati o forati.

Le condizioni e la buona manutenzione dell'elettrotensile.

L'uso dell'accessorio corretto per il taglio e la sua affilatura, nonché le sue buone condizioni.

La tenuta della presa sulle impugnature e se vengono utilizzati eventuali accessori antivibrazioni e antirumore.

L'adeguatezza dell'utilizzo dell'elettrotensile rispetto a quanto previsto.

**Questo elettrotensile potrebbe causare l'insorgenza della sindrome della vibrazione dell'avambraccio se il suo utilizzo non viene gestito correttamente.**

**AVVERTENZA:** per essere precisi, una stima del livello di esposizione nelle attuali condizioni di utilizzo dovrebbe anche tenere conto di tutte le parti del ciclo operativo, come le volte in cui lo strumento viene spento e il tempo in cui viene lasciato girare a vuoto senza realmente fare il suo lavoro. Questo potrebbe ridurre significativamente il livello di esposizione sul periodo di lavoro totale. Aiuto a minimizzare il rischio di esposizione alle vibrazioni e al rumore.


Usare sempre scalpelli, trapani e lame affilati.

Conservare questo elettrotensile sempre in conformità a queste istruzioni e mantenerlo ben lubrificato (dove appropriato).

Se l'utensile deve essere utilizzato regolarmente, investire in accessori antivibrazioni e antirumore.

Pianificare il lavoro in modo da suddividere i lavori che implicano le maggiori vibrazioni nell'arco di più giorni.

# TUTELA AMBIENTALE

 I prodotti elettrici non possono essere gettati tra i rifiuti domestici. L'apparecchio da rottamare deve essere portato al centro di riciclaggio per un corretto trattamento. Controllare con le autorità locali o con il rivenditore per localizzare il centro di riciclaggio più vicino.

# DICHIARAZIONE DI CONFORMITÀ

NOI,  
Positec Germany GmbH  
Postfach 680194, 50704 Cologne, Germany

A nome di Positec si dichiara che il prodotto,  
Descrizione **Tagliasiepi a batteria**  
Codice **KC201 KC201.X (201-designazione della macchina, rappresentativa del tagliasiepi)**  
Funzione **L'utensile è previsto per tagliare e tosare siepi ecespugli del Vostro giardino.**

È conforme alle seguenti direttive,  
**2006/42/EC, 2014/30/EU, 2011/65/EU&(EU)2015/863, 2000/14/EC modificata dalla 2005/88/EC**

2000/14/EC modificata dalla 2005/88/EC:  
- Procedura di conformità come da Annex V  
- Potenza acustica pesata 95.48 dB (A)  
- Massima potenza di rumore garantita 96.45 dB (A)

conforme a,  
**EN 62841-1, EN 62841-4-2, EN ISO 3744, EN IEC 55014-1, EN IEC 55014-2, EN IEC 63000**

Il responsabile autorizzato alla compilazione della documentazione tecnica,

Nome **Marcel Filz**  
Indirizzo **Positec Germany GmbH**  
Postfach **680194, 50704 Cologne, Germany**



2024/06/19  
Allen Ding  
Vice capo ingegnere, testing e certificazione  
Positec Technology (China) Co., Ltd  
18, Dongwang Road, Suzhou Industrial Park, Jianguo 215123, P. R. China

# ÍNDICE

|                                 |    |
|---------------------------------|----|
| Introducción.....               | 57 |
| Lista de componentes.....       | 58 |
| Seguridad del producto.....     | 59 |
| Montaje y funcionamiento.....   | 62 |
| Transporte.....                 | 66 |
| Mantenimiento.....              | 66 |
| Limpieza.....                   | 67 |
| Almacenamiento.....             | 67 |
| Solución de problemas.....      | 67 |
| Datos técnicos.....             | 68 |
| Protección ambiental.....       | 69 |
| Declaración de conformidad..... | 69 |

ES

## INTRODUCCIÓN

Estimado cliente,

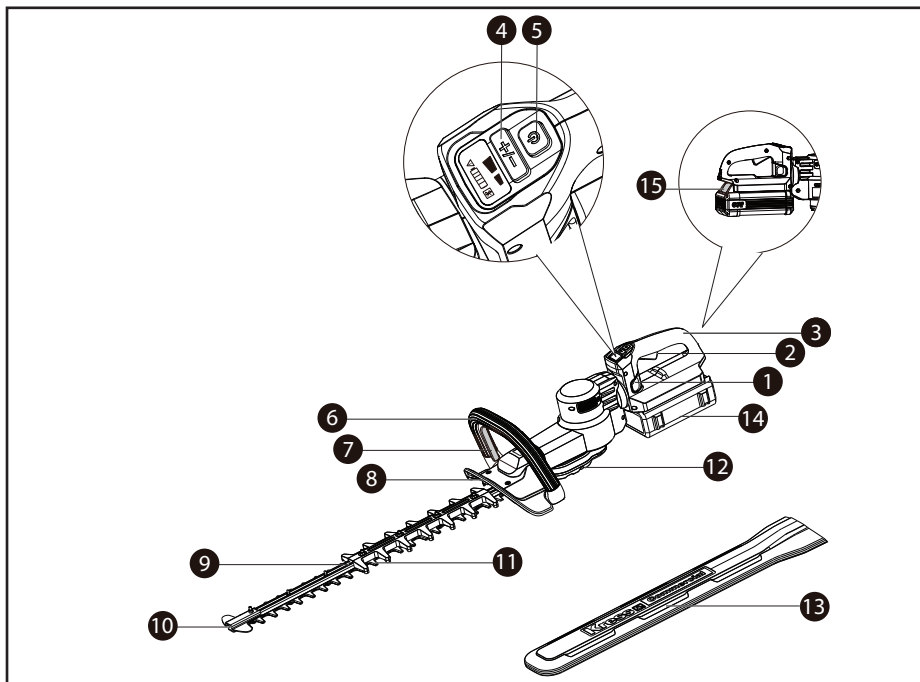
Gracias por confiar en Kress Commercial. En Kress, nos dedicamos a desarrollar soluciones de alta calidad para satisfacer sus necesidades de jardinería profesional.

La marca Kress es sinónimo de calidad premium, tanto en las soluciones como en el servicio, así, si durante los años en que va a poder usar los productos Kress le surgen preguntas o dudas, puede ponerse en contacto con el distribuidor o con nuestro Equipo de Atención al Cliente para obtener ayuda.

Con la confianza en que va a disfrutar usando su producto Kress durante largo tiempo.

## USO INDICADO

Esta máquina está pensada para cortar y recortar setos y arbustos en un uso comercial ligero e intenso.



## LISTA DE COMPONENTES


- |     |   |
|-----|---|
| 1.  | INTERRUPTOR DE BLOQUEO PARA EMPUÑADURA TRASERA GIRATORIA                |
| 2.  | GATILLO DE ACELERACIÓN  |
| 3.  | EMPUÑADURA TRASERA GIRATORIA  |
| 4.  | BOTÓN DE CONTROL DE VELOCIDAD   |
| 5.  | INTERRUPTOR DE ENCENDER/APAGAR  |
| 6.  | EMPUÑADURA DELANTERA  |
| 7.  | INTERRUPTOR DE PRESENCIA DEL OPERADOR (FUNCIÓN DE INTERRUPTOR INTEGRAL) |
| 8.  | PROTECCIÓN  |
| 9.  | CUCHILLA  |
| 10. | PROTECTOR DE PUNTA  |
| 11. | PROTECTOR TRASERO DE CUCHILLA   |
| 12. | CAJA DE ENGRANAJES METÁLICA   |
| 13. | FUNDA PROTECTORA DE CUCHILLA  |
| 14. | BATERÍA *   |
| 15. | BOTÓN PARA EXTRAER LA BATERÍA   |

\* Los accesorios ilustrados o descritos pueden no corresponder al material suministrado de serie con el aparato.

# MANUAL ORIGINAL

## SEGURIDAD DEL PRODUCTO

### ADVERTENCIA DE SEGURIDAD GENERALES SOBRE HERRAMIENTAS ELÉCTRICAS

 **ADVERTENCIA:** Lea todas las advertencias de seguridad, instrucciones, ilustraciones y especificaciones que acompañan a esta herramienta eléctrica. Si no se respetan todas las instrucciones que se indican abajo, podría producirse una descarga eléctrica, un incendio o alguien podría resultar herido de gravedad.

Conservar todas las advertencias e instrucciones para futuras consultas.

El término “herramienta eléctrica” en todas las advertencias siguientes corresponde a la herramienta eléctrica con o sin cable.

#### 1) ZONA DE TRABAJO

- a) **Mantener su lugar de trabajo limpio y bien iluminado.** Los bancos de trabajo desordenados y lugares oscuros invitan a los accidentes.
- b) **No utilizar herramientas eléctricas en ambientes potencialmente inflamables, como líquidos, gases o partículas inflamables.** Las herramientas eléctricas crean chispas que pueden prender el polvo o los gases.
- c) **Mantener alejados a los niños y visitantes mientras se trabaja con una herramienta eléctrica.** Las distracciones pueden hacerle perder el control.

#### 2) SEGURIDAD ELÉCTRICA

- a) **Los enchufes de la herramienta eléctrica deben encajar perfectamente en el enchufe de la corriente eléctrica.** Nunca modificar el enchufe de ninguna manera. No utilizar adaptadores con herramientas eléctricas conectadas a tierra. Los enchufes no modificados que encajan perfectamente en la toma de corriente reducirán el riesgo de descarga eléctrica.
- b) **Evite el contacto del cuerpo con superficies como tuberías, radiadores, cocinas y frigoríficos.** Existe un mayor riesgo de descarga eléctrica si su cuerpo está en contacto con la tierra.
- c) **No utilice la máquina en condiciones de humedad o lluvia.** Esto puede aumentar el riesgo de descarga eléctrica. Si la máquina y la batería se mojan en la lluvia durante el funcionamiento, deben secarse antes de su almacenamiento o carga. Retire la batería y vuelva a insertarla si no se puede encender la máquina. Mantenga la conexión de la batería libre de suciedad y residuos, y límpiela con un

cepillo o paño suave y seco.

- d) **No utilice el cable de forma inadecuada.** No utilice nunca el cable para transportar, tirar o desenchufar la herramienta eléctrica. Mantenga el cable alejado del calor, aceite, bordes afilados o piezas giratorias. Los cables dañados o enredados aumentan el riesgo de descarga eléctrica.
- e) **Cuando utilice su herramienta eléctrica al aire libre, emplear un prolongador apto para uso en exteriores.** El empleo de cables para uso al aire libre reduce el riesgo de descarga eléctrica.
- f) **Si es necesario utilizar la herramienta motorizada en un lugar muy húmedo, utilice una fuente de alimentación con dispositivo de corriente residual (RCD).** El uso de un RCD reduce el riesgo de descarga eléctrica.

#### 3) SEGURIDAD PERSONAL

- a) **Mantenerse alerta, poner atención en lo que está haciendo y utilice el sentido común mientras trabaja con una herramienta eléctrica.** No utilizar la herramienta cuando se encuentre cansado o bajo la influencia de drogas, alcohol o medicación. Un momento de falta de atención durante el manejo de herramientas eléctricas puede dar lugar a daños corporales serios.
- b) **Utilizar equipo de seguridad. Usar siempre protección ocular.** Equipo de seguridad como máscaras contra el polvo, zapatos antideslizantes de seguridad, sombrero o protección auditiva para condiciones apropiadas reducirá daños corporales.
- c) **Evite el arranque accidental. Asegúrese de que el interruptor se encuentra desactivado antes de enchufar la máquina o colocar la batería, al tomar la herramienta o transportarla.** Transportar herramientas con el dedo en el interruptor o enchufar la herramienta cuando el interruptor está encendido invitan a los accidentes.
- d) **Retire llaves de ajuste o llaves inglesas antes de poner la herramienta en funcionamiento.** Una llave que queda unida a una pieza móvil de la herramienta puede originar daños corporales.
- e) **No extralimitarse. Mantenerse firme y con buen equilibrio en todo momento.** Esto permite un mejor control de la herramienta en situaciones inesperadas.
- f) **Vístase adecuadamente. No lleve ropa holgada ni joyas.** Mantenga el pelo y la ropa alejados de las piezas en movimiento. La ropa suelta, las joyas o el pelo largo pueden quedar atrapados en las piezas en movimiento.
- g) **Si se proporcionan dispositivos para la extracción y recolección de polvo, asegurarse de que estos estén conectados y utilizados correctamente.** El uso de estos dispositivos puede reducir peligros relacionados con el polvo.
- h) **No permita que el hecho de estar familiarizado con el uso de herramientas**

le haga volverse descuidado o ignorar las normas de seguridad. La falta de atención puede provocar heridas graves en una fracción de segundo

#### 4) MANTENIMIENTO de la HERRAMIENTA ELÉCTRICA

- a) **No forzar la herramienta eléctrica. Utilizar la herramienta eléctrica correcta para su aplicación.** *La herramienta eléctrica correcta hará el trabajo mejor y más seguro a la velocidad para la cual fue diseñada.*
  - b) **No utilizar la herramienta eléctrica si el interruptor no la enciende o apaga.** *Cualquier herramienta eléctrica que no pueda ser controlada con el interruptor es peligrosa y debe ser reparada.*
  - c) **Desconecte el enchufe de la toma eléctrica y/o la batería de la herramienta antes de realizar cualquier ajuste, cambiar un accesorio o guardar la herramienta.** *Tales medidas de seguridad preventivas reducen el riesgo de arranque accidental de la herramienta.*
  - d) **Mantener las herramientas eléctricas que no usa fuera del alcance de los niños y no permita que personas no familiarizadas con la herramienta o con estas instrucciones maneje la herramienta eléctrica.** *Las herramientas eléctricas son peligrosas en manos de usuarios inexpertos.*
  - e) **Revisar las herramientas eléctricas. Comprobar si hay desalineamiento o atascamiento de piezas móviles, rotura de piezas en general y cualquier otra condición que pueda afectar la operación normal de la herramienta. Si se verifican daños, recurra a un servicio cualificado antes de volver a usar la herramienta.** *Las herramientas mal mantenidas causan muchos accidentes.*
  - f) **Mantener las piezas de corte limpias y afiladas.** *Puesto que tienen menos probabilidad de atascarse y son más fáciles de controlar.*
  - g) **Utilizar la herramienta eléctrica, accesorios y brocas etc., de acuerdo con estas instrucciones teniendo en cuenta las condiciones de trabajo y el trabajo a realizar.** *El uso de la herramienta eléctrica para otras operaciones distintas de lo previsto podría dar lugar a una situación peligrosa.*
  - h) **Mantenga las empuñaduras y las superficies de agarre secas, limpias y sin aceite ni grasa.** *Una empuñadura o una superficie de agarre resbaladiza dificultan la correcta manipulación y el control de la herramienta en situaciones imprevistas.*
- #### 5) UTILIZACIÓN Y MANTENIMIENTO DE LA BATERÍA
- a) **Recargar solamente con el cargador indicado por el fabricante.** *Un cargador adaptado a un tipo de batería podría crear un riesgo de incendio si se utiliza con una diferente batería.*
  - b) **Utilizar las herramientas eléctricas solamente**

con baterías especialmente adaptadas. La utilización de cualquier otra batería podría causar un riesgo de incendio o herida.

- c) **Cuando la batería no está en uso, tenerla lejos de los objetos metálicos, como clips, monedas, llaves, clavos, tornillos u otros objetos metálicos pequeños susceptibles de establecer una conexión de un terminal a otra.** *Un cortocircuito entre los terminales de la batería puede provocar quemaduras o un incendio.*
  - d) **En caso de mal uso, puede salir líquido de la batería; evite el contacto. En caso de contacto accidental, enjuagar con agua.** *En caso de contacto con los ojos, consultar a un médico. El líquido presente en las baterías puede causar irritaciones o quemaduras.*
  - e) **No utilice una batería o una herramienta que estén dañadas o hayan sido modificadas.** *Las baterías dañadas y modificadas pueden comportarse de forma imprevisible y provocar un incendio, una explosión o herir a alguien.*
  - f) **No arroje una batería o herramienta al fuego ni las exponga a una temperatura excesiva.** *La exposición al fuego y a temperaturas superiores a 130 °C puede provocar una explosión.*
  - g) **Respete todas las instrucciones de carga y no cargue la batería o la herramienta fuera del rango de temperatura especificado en las instrucciones.** *Una carga inadecuada o a una temperatura fuera del rango especificado puede ocasionar daños en la batería y aumentar el riesgo de incendio*
- #### 6) REPARACIÓN
- a) **Permitir que el mantenimiento de su herramienta eléctrica sea efectuado por una persona calificada usando solamente piezas de recambio idénticas.** *Esto es primordial para mantener la seguridad de la herramienta eléctrica.*
  - a) **No intente reparar nunca una batería dañada.** *Cualquier intervención técnica en una batería debe ser realizada exclusivamente por el fabricante o por un servicio técnico autorizado.*

## NOTAS IMPORTANTES DE SEGURIDAD ADICIONAL PARA SU CORTASETOS

- a) **No utilizar la recortadora de setos en malas condiciones meteorológicas, especialmente si hay riesgo de tormenta eléctrica.** *Esto disminuye el riesgo de ser alcanzado por un rayo.*
- b) **Mantener todos los cables de alimentación alejados de la zona de corte.** *Puede haber cables de alimentación ocultos en setos o arbustos y pueden ser cortados accidentalmente por la cuchilla.*
- c) **Use protección auditiva.** *Un equipo de protección adecuado reducirá el riesgo de*

pérdida de audición.

- d) **Sostenga la herramienta por las empuñaduras aislantes cuando realice una operación donde la herramienta de corte puede entrar en contacto con cableado oculto.** *El contacto con un cable con corriente también hará que las partes expuestas del metal de la herramienta puedan transmitirle una descarga eléctrica.*
- e) **Conserve todas las partes del cuerpo alejadas de la cuchilla de corte. No retire el material cortado ni sostenga el material a cortar con las cuchillas en movimiento.** *Las cuchillas siguen moviéndose después de apagar. Un momento de desatención durante el uso de la recortadora podría resultar en una lesión personal seria.*
- f) **Cuando se limpie material atascado o se de servicio a la unidad, asegúrese de que todos los interruptores de encendido estén desactivados y que la cubierta de batería se haya retirado o desconectado.** *Un accionamiento inesperado de la recortadora de setos mientras se despeja material atascado o se da servicio puede tener como resultado lesiones personales graves.*
- g) **Transporte la recortadora por el mango con la cuchilla de corte detenida y teniendo cuidado de no accionar el interruptor de encendido.** *Un manejo adecuado de la recortadora permitirá reducir las posibles lesiones personales relacionadas con las cuchillas de corte.*
- h) **Al transportar o guardar la recortadora de setos, coloque siempre la cubierta de la cuchilla.** *Un manejo adecuado de la recortadora de setos disminuirá el riesgo de lesiones personales con la cuchillas.*
- i) **Compruebe si hay objetos extraños en el seto, como p.ej. vallas metálicas y cableado oculto.**
- j) **Sostenga la recortadora de setos correctamente, p. ej. con ambas manos si se proporcionan dos mangos.**
- k) **La recortadora de setos está pensada para ser usada por un operario a nivel del suelo, no sobre escaleras ni ningún otro soporte inestable.**
- l) **Antes de poner a funcionar la recortadora de setos, el usuario debe asegurarse de que el dispositivo de bloqueo de cualquier elemento móvil (p. ej. el vástago extendido y el elemento de pivote), si los hubiera, estén en la posición de bloqueo.**
- m) **Haga que cualquier mecanismo de parada ajustable reciba mantenimiento a intervalos regulares.**
- n) **No levante ni transporte la cortadora de setos usando un solo mango.**
- batería.
- b) **No provoque un cortocircuito en la batería. No almacene las baterías de forma descuidada en una caja o cajón donde podría provocar un cortocircuito entre ellas o mediante otros objetos metálicos.** Cuando la batería no esté siendo utilizada, manténgala alejada de objetos metálicos, como clips de papel, monedas, llaves, clavos, tornillos u otros objetos metálicos pequeños, que pueden posibilitar la conexión de un borne con otro. Al provocar un cortocircuito con los bornes de la batería se pueden sufrir quemaduras o generar un incendio.
- c) **No exponga las baterías al calor o al fuego. No las guarde expuestas directamente al sol.**
- d) **No exponga las baterías a impactos mecánicos.**
- e) **En caso de que la batería tenga fugas de líquido, evite que el líquido entre en contacto con la piel o los ojos. Si se produce el contacto, lave la zona afectada con grandes cantidades de agua y acuda a un médico.**
- f) **Mantenga las baterías limpias y secas.**
- g) **Limpie los bornes de la batería con un paño limpio si se ensucian.**
- h) **Cargue la batería antes de utilizarla. Consulte siempre estas instrucciones y aplique el procedimiento de carga adecuado.**
- i) **No deje la batería cargándose durante prolongados períodos de tiempo cuando no se utilice.**
- j) **Después de prolongados períodos de almacenamiento, puede que sea necesario cargar y descargar la batería varias veces para obtener el máximo rendimiento.**
- k) **Recargue solo con el cargador indicado por Kress. No utilice ningún otro cargador que no sea el específicamente proporcionado para el uso con este equipo.**
- l) **No utilice ninguna batería distinta a la diseñada para utilizarse con el aparato.**
- m) **Mantenga la batería fuera del alcance de los niños.**
- n) **Conserve la documentación original del producto por si tuviera que consultarla en otro momento.**
- o) **Extraiga la batería del aparato cuando no lo utilice.**
- p) **Deshágase del producto correctamente.**
- q) **No se deben mezclar pilas de diferentes fabricantes, capacidad, tamaño o tipo en un mismo dispositivo.**
- r) **Mantener la batería lejos de microondas y alta presión.**
- s) **¡Advertencia! No utilizar pilas no recargables.**

## ADVERTENCIAS DE SEGURIDAD PARA LA BATERÍA







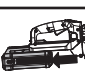
- a) No desmonte, abra o destruya las celdas ni la

## REQUISITOS DEL MANUAL DE USUARIO PARA EL PRODUCTO INALÁMBRICO

- a) El funcionamiento de este dispositivo está sujeto a las siguientes condiciones:

(1) Este dispositivo no puede causar interferencias perjudiciales, y  
 (2) debe aceptar cualquier interferencia recibida, incluyendo las que puedan causar un funcionamiento indeseado.


- b) Precaución: Los cambios o modificaciones a este aparato que no estén expresamente aprobados por la parte responsable del cumplimiento podrían anular la autoridad del usuario para utilizar el equipo.
- c) NOTA: Este equipo genera, usa y puede radiar energía de radiofrecuencia y, si no se instala y usa de acuerdo con las instrucciones, puede causar interferencias perjudiciales para las comunicaciones de radio. Sin embargo, no se garantiza que no ocurran interferencias en una instalación particular. Si este equipo causa interferencias perjudiciales en la recepción de radio o televisión, lo cual puede determinarse apagando y encendiendo el equipo, se recomienda al usuario que intente corregir las interferencias mediante una o varias de las siguientes medidas:
- Reoriente o reubique la antena receptora.
  - Aumente la distancia entre el equipo y el receptor.
  - Conecte el equipo a una toma de corriente de un circuito diferente al que está conectado el receptor.
  - Consulte con el proveedor o un técnico con experiencia en radio/TV para obtener ayuda.

|  |   |
|--|---|
|    | Use guantes de protección   |
|   | No quemar   |
|   | Las baterías pueden entrar en el ciclo del agua si se desechan incorrectamente, lo que puede ser peligroso para el ecosistema. No desheche las baterías usadas como residuos municipales sin clasificar.  |
| <br>Li-Ion<br> | Batería de ión de litio. Este producto se ha marcado con un símbolo relacionado con la "colección separada" para todos los paquetes de baterías y paquetes de baterías. Luego se reciclará o desmontará para reducir el impacto en el medio ambiente. Los paquetes de baterías pueden ser peligrosos para el medio ambiente y para la salud humana, ya que contienen sustancias peligrosas. |
|   | Los residuos de aparatos eléctricos y electrónicos no deben depositarse en la basura doméstica. Se deben reciclar en las instalaciones especializadas. Consulte a las autoridades locales o el establecimiento para saber cómo reciclar estos productos.  |
|   | Quite la batería antes de llevar a cabo cualquier ajuste o tarea de reparación o mantenimiento.   |

## SÍMBOLOS

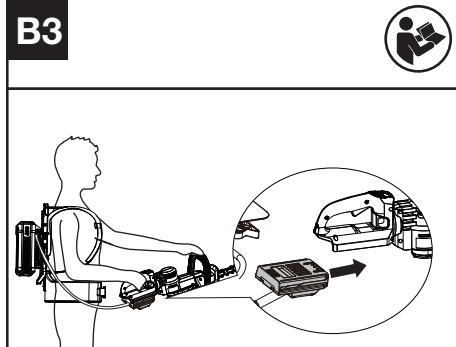
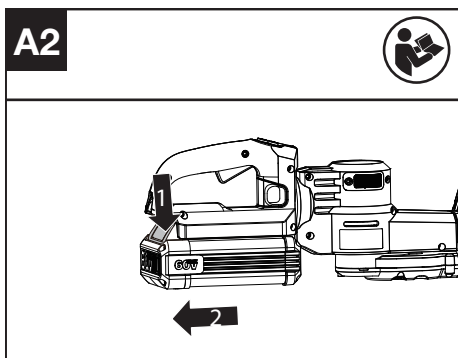
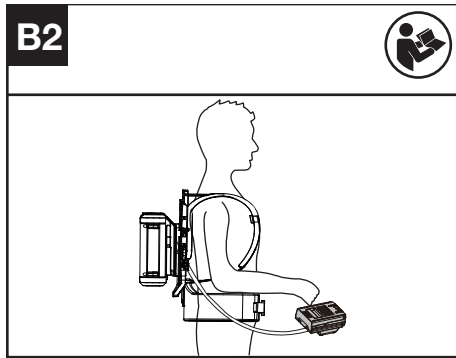
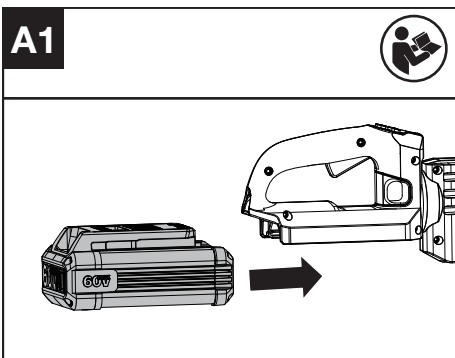
|  |   |
|--|---|
|    | Para reducir el riesgo de lesión, lea el manual de instrucciones. |
|   | Advertencia   |
|  | Utilizar protección ocular  |
|  | Utilizar protección auditiva                                      |
|  | Utilizar máscara antipolvo  |
|  | Mantenga las manos alejadas                                       |

## MONTAJE Y FUNCIONAMIENTO

 **NOTA:** Antes de usar la herramienta lea el manual de instrucciones detenidamente.

 **ANTES DE UTILIZAR:**

**Extraer O Instalar La Batería (Ver Fig. A1,A2)**

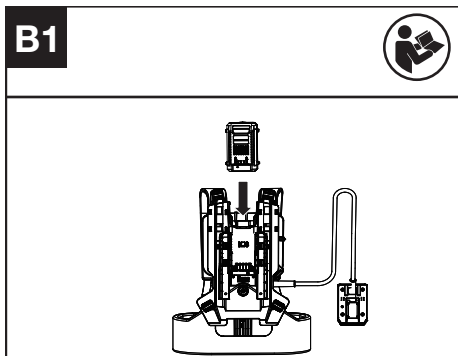


1. Deslice la batería en el compartimento de batería hasta escuchar un clic.
2. Presione el botón de liberación de batería para extraer la batería de la herramienta.

### Conexión del cortasetos al arnés de mochila (Véase la Fig. B1,B2,B3)

Instalar la batería externa en el arnés de mochila, luego insertar el enchufe en la máquina. Ponerse el arnés de mochila.

Se pueden encontrar más detalles en el manual del arnés de mochila.



### Prueba del cortasetos y la batería (Véase la Fig. C)

#### Comprobación de los mandos Palanca interruptor delantero y palanca interruptor trasero

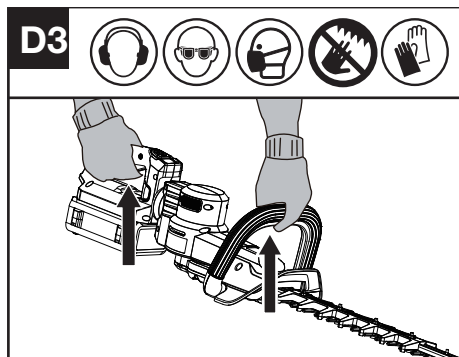
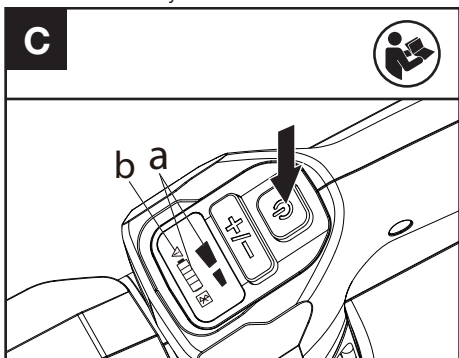
1. Retire la batería.
2. Presione y suelte la palanca interruptor delantero y la palanca interruptor trasero. Si la palanca interruptor trasero o la palanca interruptor delantero se queda atascada y no puede regresar a su posición inicial, Deje de utilizar el cortasetos y contacte con el servicio técnico.

#### Comprobación de la pantalla

1. Inserte la batería.
2. Mantenga presionado el interruptor de encender/apagar.  
Si el producto está encendido, se enciende la luz LED (a).  
Si el producto está apagado, se apaga la luz LED (a).
3. Si el indicador de advertencia (b) se enciende o parpadea, consulte Solución de problemas para encontrar soluciones.
4. Presione la palanca interruptor delantera y luego presione la palanca interruptor trasera para arrancar la máquina.
5. Suelte la palanca interruptor trasera para detener el cortasetos. Si el cortasetos no se detiene,

retire la batería y contacte con el servicio técnico.

Presione la palanca interruptor delantera y la palanca interruptor trasera para arrancar. (Véase la Fig. D3)

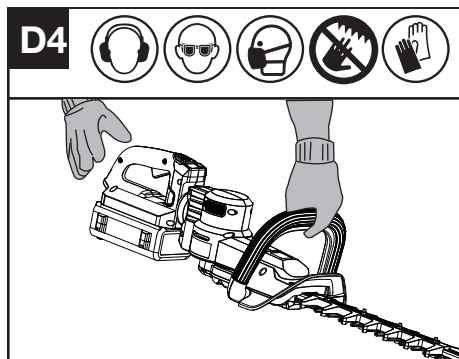
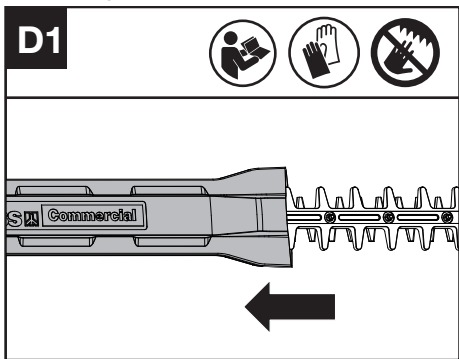


## FUNCIONAMIENTO:

### Puesta en marcha y parada

Antes de usar, retirar primero la funda de la cuchilla. (Véase la Fig. D1)

Liberar la palanca de interruptor trasero y la palanca de interruptor delantero para detener. (Véase la Fig. D4)



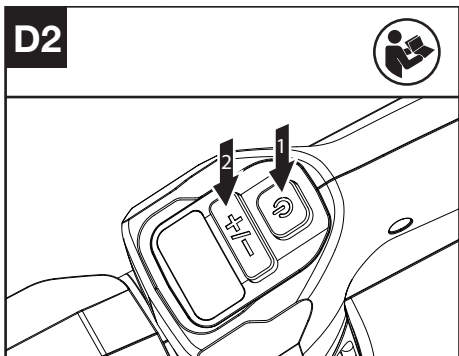
### Elegir la velocidad

1. Presione el interruptor de encender/apagar.
2. Presione el botón de control de velocidad para elegir la velocidad que necesite. (Véase la Fig. D2)

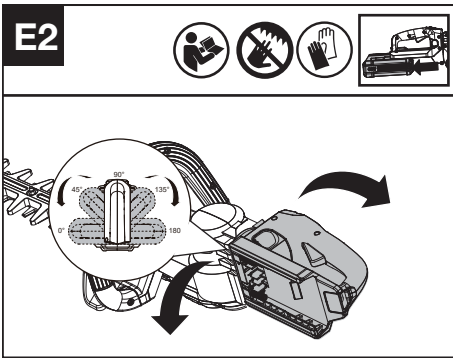
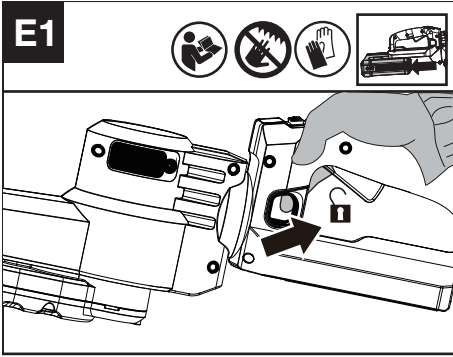
Cuando no se utilice la máquina, apagar el cortasetos de setos y separarlo del arnés de mochila.

### Empuñadura trasera giratoria (Véase la Fig. E1, E2)

**NOTA:** Desbloquee el interruptor de bloqueo antes de empezar a girar. Cuando haya girado la empuñadura a la posición deseada, ajústela ligeramente hasta que se escuche un chasquido.



**⚠ ADVERTENCIA!**  
Compruebe siempre que la empuñadura esté bloqueada en la posición deseada antes de utilizar la herramienta.  
Compruebe siempre que el interruptor de bloqueo esté bloqueado correctamente antes de poner en marcha el cortasetos.  
No gire la empuñadura cuando el cortasetos esté en marcha.



### Trabajar con el cortasetos para cortes horizontales o verticales

Antes de cortar una zona, inspecciónela y retire cualquier objeto extraño que pudiera salir disparado o atascarse en las cuchillas. Sostenga siempre el cortasetos con ambas manos y con la cuchilla lo más alejada posible durante el arranque.

Para cortar ramas nuevas, mueva el cortasetos realizando barridos para que las ramas entren directamente en la cuchilla. Deje que la cuchilla alcance su máxima velocidad antes de cortar. Durante el uso, mantenga las cuchillas alejadas de la gente y los objetos como paredes, piedras grandes, árboles, vehículos, etc. Si la cuchilla se atasca, detenga inmediatamente el cortasetos. Suelte las dos palancas antes de intentar extraer cualquier resto de la cuchilla.

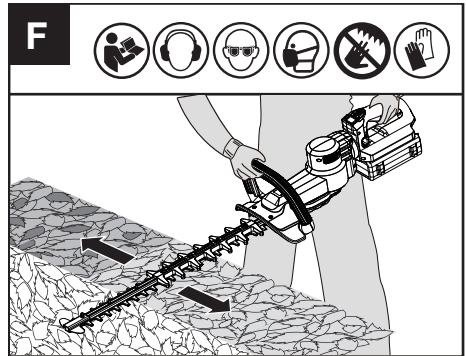
Utilice guantes para podar ramas con espinas o con púas.

No intente cortar ramas demasiado gruesas para la cuchilla.

### Cortes en la parte superior (Véase la Fig. F)

Haga un movimiento de gran amplitud en los 2 sentidos con su cortasetos. Una ligera inclinación de las cuchillas de arriba abajo que acompaña el movimiento dará una excelente calidad de corte.

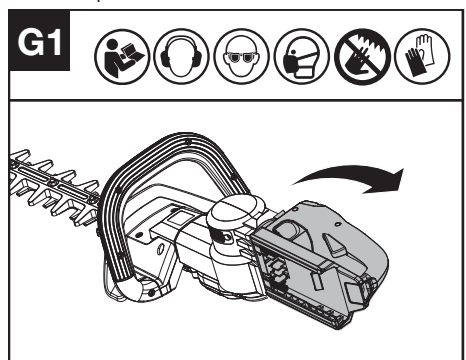
**!** **ADVERTENCIA:** Si falta alguna pieza, o están dañadas o rotas, no utilice el cortasetos hasta que se hayan reparado o reemplazado todas las piezas defectuosas. Si no se respeta esta instrucción, alguien podría resultar herido de gravedad. **ANTES DE PONER EN MARCHA SU APARATO, SIEMPRE INSTALAR EL PROTECTOR Y LA EMPUÑADURA DELANTERA.**

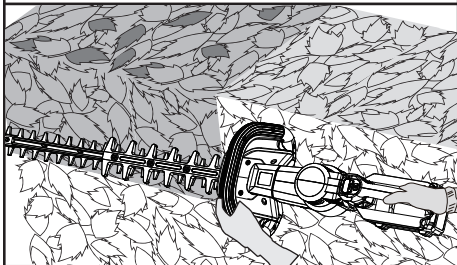


### Cortes verticales (Véase la Fig. G1, G2)

Para realizar cortes verticales, comience por la parte inferior del seto, corte subiendo y efectuando un corte cónico de la parte baja hacia arriba. Esta forma permite una mejor exposición del seto y un crecimiento más uniforme.

**!** **ADVERTENCIA:** Antes de girar la empuñadura se debe detener el cortasetos.



**G2**

## TRANSPORTE

### Transporte del cortasetos

1. Apague la recortadora y retire la batería.
2. Cuando transporte la recortadora con la mano, sostenga la parte central del mango delantero para asegurarse de que la máquina esté paralela al suelo.
3. Cuando transporte su recortadora en un vehículo, asegúrela y colóquela para evitar que se mueva o se dañe.

### Transporte de la batería

1. Asegúrese de que la batería está en condiciones seguras.
2. Utilice embalaje no conductor cuando transporte la batería.
3. Las baterías de iones de litio están sujetas a los requisitos reglamentarios en materia de bienes peligrosos. Transporte las baterías solo cuando su carcasa no esté dañada. Empaque las baterías de tal manera que no se puedan mover en el embalaje.

## MANTENIMIENTO



**¡ADVERTENCIA!** Retire siempre la batería antes de realizar cualquier mantenimiento del cortasetos.

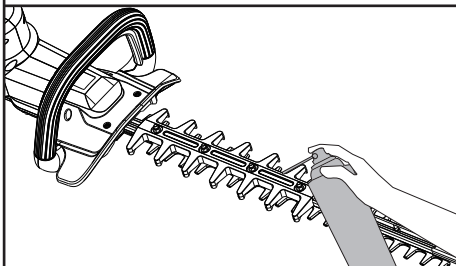
**Quite la batería antes de llevar a cabo cualquier ajuste o tarea de reparación o mantenimiento.**

La herramienta eléctrica no contiene piezas que el usuario pueda reparar. Herramienta eléctrica. Nunca emplee agua o productos químicos para limpiar su herramienta. Use simplemente un paño seco. Guarde siempre su herramienta en un lugar seco. Mantenga limpias las ranuras de ventilación del motor. Mantenga todos los controles de funcionamiento libres de polvo.

**Lubricar la cuchilla (Véase la Fig. H1)**

**NOTA:** Para evitar posibles daños en la cuchilla, es muy importante que únicamente se utilice el aceite

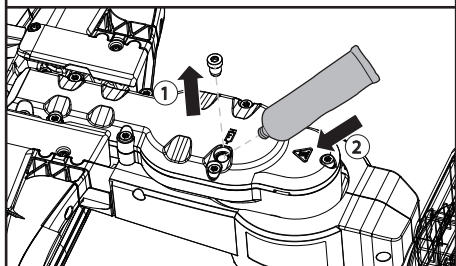
lubricante estándar recomendado (WD-40).

**H1**

### Lubricación de la caja de engranajes (Véase la Fig. H2)

Retirar el tapón roscado de la caja de engranajes. Lubricar la caja de engranajes a través del orificio para aceite cada 50 horas de funcionamiento. Retirar los tornillos de la tapa de la caja de engranajes y retirar la tapa. Lubricar cada 300 horas de funcionamiento.

**NOTA:** Para un mejor funcionamiento y una vida útil más larga, lubricar la caja de engranajes del cortasetos con la grasa. (SHELL Gadus S2 V220 1).

**H2**

### AFILAR



**ADVERTENCIA:** No utilizar la máquina con cuchillas de corte rotas o dañadas, provocaría una sobrecarga y prestaciones insatisfactorias. Cuando empiecen a reducirse las prestaciones de corte, volver a afilar la cuchilla.

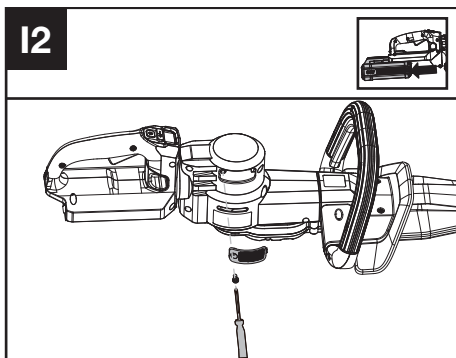
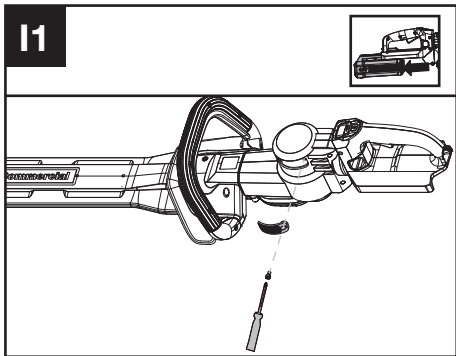
Cuando el rendimiento de corte comience a deteriorarse, haga que un profesional vuelva a afilar la cuchilla. Lleve siempre guantes de protección cuando manipule la cuchilla del cortasetos y afile solamente el filo de corte.

Afilar únicamente el filo de corte. No pulir piezas salientes romas de la cuchilla de corte o su protector. Utilizar una piedra de amolar para eliminar la rebaba del filo de corte. Después de afilar, limpiar el polvo de la cuchilla.

**Limpieza del filtro de aire (Véase la Fig. I1,**

## 12)

1. Limpie el área alrededor del filtro de aire. Utilice un paño húmedo o un cepillo suave.
2. Desenrosque y retire el filtro de aire.
3. Limpie el filtro de aire bajo un chorro de agua para eliminar la suciedad.
4. Deje secar el filtro de aire y luego instálelo en la carcasa apretando el tornillo.



## LIMPIEZA

1. Apague el cortasetos y retire la batería.
1. No utilice detergentes o disolventes agresivos. Limpie la máquina después del uso con un paño húmedo sumergido en detergente suave.
2. Mantenga la conexión de la batería libre de suciedad y escombros y límpiela con un paño o un cepillo suave.
3. No rocíe agua sobre el motor ni los componentes eléctricos.
4. No utilice una hidrolimpiadora para lavar la máquina.

## ALMACENAMIENTO

1. Retire la batería del cortasetos antes de su almacenamiento.
2. Almacene el cortasetos y la batería en un lugar

seco y seguro que sea inaccesible para niños y otras personas no autorizadas.

3. Almacene la batería solo dentro del intervalo de temperaturas entre 5 °C (41 °F) y 25 °C (77 °F). Por ejemplo, no deje la batería en el coche en verano.
4. Si la máquina y la batería se mojan en la lluvia durante el funcionamiento, deben secarse antes de su almacenamiento o carga. Retire la batería y vuelva a insertarla si no se puede encender la máquina.

## PARA LAS HERRAMIENTAS A BATERÍA

El rango de temperatura ambiente recomendado para la descarga es de -20°C~45°C (-4°F~113°F). El rango de temperatura ambiente recomendado para el sistema de carga durante el proceso de carga es de -5°C~45°C (23°F~113°F).

## SOLUCIÓN DE PROBLEMAS

La siguiente tabla enumera posibles problemas y las acciones que deberá realizar si la máquina no funciona correctamente.

**⚠ ADVERTENCIA:** apague la máquina y extraiga la batería antes de proceder con la solución de problemas.

### DESBROZADORA

| Problemas                            | Posibles causas                | Acción correctiva  |
|--------------------------------------|--------------------------------|--|
| El indicador LED de batería parpadea | La tensión de batería es baja. | Cargue la batería.   |
| La luz LED de error parpadea en rojo | Sobrecarga.                    | El accesorio de corte está atascado. Desactive el producto. Retire la batería. Limpie todos los materiales no deseados del accesorio de corte. |
|                                      | Problema de temperatura.       | Deje que se enfríe el producto.  |
|                                      | Otros problemas                | Contacte con el servicio técnico.  |


|  |  |   |
|--|--|---|
| El producto no arranca                           | Hay suciedad en los conectores de la batería.        | Limpie los conectores de la batería con aire comprimido o con un cepillo suave. |
|  | Otros problemas                                      | Contacte con el servicio técnico.   |
| La desbrozadora funciona de manera intermitente. | La batería no está bien insertada en la máquina.     | Inserte bien la batería.  |
|  | Posible problema eléctrico.                          | Contacte con el servicio técnico.   |
| Excesivas vibraciones/ ruido.                    | Problema del accesorio de corte. Máquina defectuosa. | Reemplace el accesorio de corte. Contacte con el servicio técnico.              |

## BATERÍA

| Problemas        | Posibles causas             | Acción correctiva   |
|------------------|-----------------------------|---|
| Luz LED de error | La batería está descargada. | Cargue la batería. Si la batería no carga, contacte con el servicio técnico.  |
|                  | Problema de temperatura.    | Utilice la batería en entornos donde temperaturas estén entre -5°C a 45°C (23°F a 113°F) para la carga; -20°C a 45°C (-4°F a 113°F) para la descarga. |
|                  | Otros                       | Contacte con el servicio técnico.   |

## DATOS TÉCNICOS

Modelo: **KC201 KC201.X (201- designación de maquinaria, representativa de cortasetos sin cable)**

|                      | <b>KC201 KC201.X**</b>   |
|----------------------|--|
| Tensión              | 60 V  MAX *** |
| Velocidad de corte   | 4400/5000 SPM  |
| Longitud de cuchilla | 63 cm (25")  |
| Espaciado de dientes | 30 mm (1.18 inch)  |
| Grado de protección  | IPX4   |

|                                |                  |
|--------------------------------|------------------|
| Peso (Herramienta descubierta) | 3.8 kg (8.3 lbs) |
|--------------------------------|------------------|

\*\* X = 1-999, A-Z, M1-M9 solo se utilizan para diferentes clientes, no hay cambios relevantes seguros entre estos modelos.

\*\*\* Voltaje medido sin carga. El voltaje inicial máximo de la batería es de 60 voltios. El voltaje nominal es de 54 voltios.

## BATERÍAS Y CARGADORES RECOMENDADOS

| Batería                       | Capacidad | Cargador | Amperaje |
|-------------------------------|-----------|----------|----------|
| KAC800                        | 4 Ah      | KAC840   | 30 A     |
| KAC810 (Con arnés de mochila) | 11 Ah     |          |          |
| KA3000                        | 2.0 Ah    |          |          |

Le recomendamos que adquiera los accesorios en el mismo distribuidor que le vendió la herramienta. Consulte el embalaje de los accesorios para obtener más detalles. El distribuidor puede ayudarle y aconsejarle.

## DATOS TÉCNICOS DEL PAQUETE DE BATERÍAS (OPCIONAL)

|  |                 |
|--|-----------------|
| Bandas de frecuencia para Bluetooth        | 2400-2483.5 MHz |
| Potencia transmitida máxima para Bluetooth | 8 dBm           |

## INFORMACIÓN SOBRE EL RUIDO

|   |                                |
|---|--------------------------------|
| Nivel de presión acústica de ponderación  | $L_{pA} = 87.48 \text{ dB(A)}$ |
| $K_{pA}$                                  | 3.0 dB(A)                      |
| Nivel de potencia acústica de ponderación | $L_{wA} = 95.48 \text{ dB(A)}$ |
| $K_{wA}$                                  | 0.97 dB(A)                     |

Utilice protección auditiva



# INFORMACIÓN SOBRE LAS VIBRACIONES

Los valores totales de vibración se determinan según la norma EN 62841:

|                                |  |
|--------------------------------|--|
| Frecuencia de vibración típica | Parte trasera: $a_h = 2.42 \text{ m/s}^2$<br>Parte delantera: $a_h = 2.50 \text{ m/s}^2$ |
| Incertidumbre                  | Parte trasera: $K = 1.5 \text{ m/s}^2$<br>Parte delantera: $K = 1.5 \text{ m/s}^2$       |

El valor total de vibraciones declarado y el valor de emisiones acústicas declarado se han medido de conformidad con un método de prueba estándar y pueden utilizarse para realizar comparaciones entre herramientas.


El valor total de vibraciones declarado y el valor de emisiones acústicas declarado también pueden utilizarse en una evaluación preliminar de la exposición.

**⚠ ADVERTENCIA:** Las vibraciones y las emisiones acústicas que se producen durante el uso de la herramienta eléctrica pueden variar respecto a los valores declarados en función de cómo se utilice la herramienta, especialmente dependiendo del tipo de pieza de trabajo que se procese y de otras formas de usar la herramienta: Cómo se utiliza la herramienta y se cortan o perforan los materiales. Si la herramienta se encuentra en buenas condiciones de mantenimiento. Si se utiliza el accesorio correcto para la herramienta y se garantiza que está afilado y en buenas condiciones. La firmeza de sujeción de las empuñaduras, y el uso de accesorios para reducir las vibraciones y el ruido. Y si la herramienta se utiliza según su diseño y estas instrucciones.

**Esta herramienta podría causar síndrome de vibración del brazo y la mano si no se utiliza correctamente.**

**⚠ ADVERTENCIA:** Para conseguir una mayor precisión, debe tenerse en cuenta una estimación del nivel de exposición en condiciones reales de todas las partes del ciclo de uso, como los tiempos durante los que la herramienta está apagado o cuando está en funcionamiento pero no está realizando ningún trabajo. Ello podría reducir notablemente el nivel de exposición sobre el periodo de carga total. Minimización del riesgo de exposición a las vibraciones y el ruido. Utilice SIEMPRE cinceles, brocas y cuchillas afiladas. Mantenga esta herramienta de acuerdo con estas instrucciones y bien lubricada (si es necesario). Si la herramienta se va a utilizar de forma habitual, se recomienda adquirir accesorios para reducir las vibraciones y el ruido. Planifique su programa de trabajo para distribuir el uso de la herramienta a lo largo de varios días.

# PROTECCION AMBIENTAL

 Los residuos de equipamientos eléctricos y electrónicos no deben depositarse con las basuras domésticas. Se recogen para reciclarse en centros especializados. Consulte las autoridades locales o su vendedor para obtener informaciones sobre la organización de la recogida.

# DECLARACIÓN DE CONFORMIDAD

LOS QUE RECIBEN,  
Positec Germany GmbH  
Postfach 680194, 50704 Cologne, Germany

En nombre de Positec declaran que el producto  
Descripción **Cortasetos a batería**  
Modelo **KC201 KC201.X (201-designación de maquinaria, representativa de cortasetos)**  
Función **Cortar setos y maleza**

Cumple con las siguientes Directivas,  
**2006/42/EC, 2014/30/EU, 2011/65/EU&(EU)2015/863, 2000/14/EC modificada por 2005/88/EC**

2000/14/EC modificada por 2005/88/EC:

- Procedimiento de evaluación de la conformidad de acuerdo con Annex V
- Nivel de presión acústica 95.48 dB (A)
- Nivel de intensidad acústica 96.45 dB (A)

Normativas conformes a,  
**EN 62841-1, EN 62841-4-2, EN ISO 3744, EN IEC 55014-1, EN IEC 55014-2, EN IEC 63000**

La persona autorizada para componer el archivo técnico

Firma **Marcel Filz**  
Dirección **Positec Germany GmbH**  
Postfach **680194, 50704 Cologne, Germany**



2024/06/19  
Allen Ding  
Ingeniero Jefe Adjunto, Pruebas y Certificación  
Positec Technology (China) Co., Ltd  
18, Dongwang Road, Suzhou Industrial Park, Jiangsu 215123, P. R. China

ES

# ÍNDICE

|                                 |    |
|---------------------------------|----|
| Introdução.....                 | 70 |
| Lista de componentes.....       | 71 |
| Segurança do produto.....       | 72 |
| Montagem e funcionamento.....   | 75 |
| Transporte.....                 | 79 |
| Manutenção.....                 | 79 |
| Limpeza.....                    | 80 |
| Armazenamento.....              | 80 |
| Resolução de problemas.....     | 80 |
| Especificações técnicas.....    | 81 |
| PT Protecção ambiental.....     | 82 |
| Declaração de conformidade..... | 82 |

## INTRODUÇÃO

Estimado Cliente,

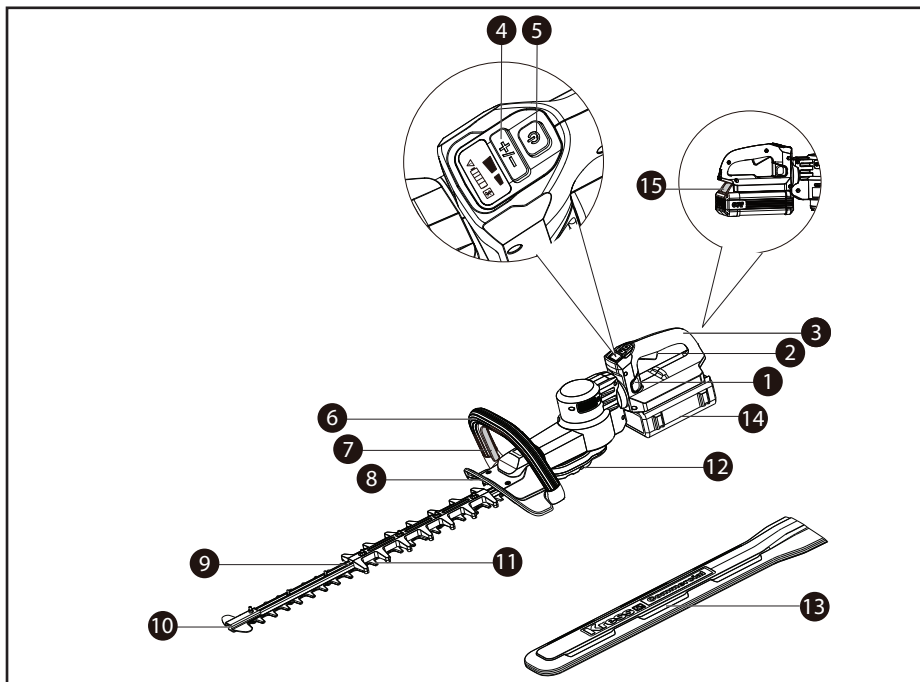
Obrigado por adquirir este produto Kress Commercial. Estamos empenhados em desenvolver produtos de alta qualidade que satisfaçam os seus requisitos comerciais de jardinagem.

A marca Kress é sinónimo de um serviço de qualidade superior. Ao longo dos anos de vida útil dos produtos, se tiver dúvidas ou preocupações relativamente ao produto, contacte o revendedor ou a Equipa de Atendimento ao Cliente para obter assistência.

Estamos confiantes de que irá gostar de trabalhar com o seu produto Kress durante muitos anos.

## UTILIZAÇÃO DE ACORDO COM AS DISPOSIÇÕES

Esta máquina destina-se a cortar e aparar sebes e arbustos para utilização comercial leve e pesada.



## LISTA DE COMPONENTES

- |     |  |
|-----|--|
| 1.  | INTERRUPTOR DE BLOQUEIO PARA A PEGA TRASEIRA ROTATIVA                      |
| 2.  | GATILHO DE ACELERAÇÃO  |
| 3.  | PEGA TRASEIRA DE ROTAÇÃO   |
| 4.  | BOTÃO DE CONTROLO DE VELOCIDADE  |
| 5.  | INTERRUPTOR DE LIGAR/DESLIGAR  |
| 6.  | PEGA FRONTAL   |
| 7.  | INTERRUPTOR DE PRESENÇA DO OPERADOR (FUNÇÃO DE INTERRUPTOR DE VERIFICAÇÃO) |
| 8.  | DISPOSITIVO DE SEGURANÇA   |
| 9.  | LÂMINA   |
| 10. | PROTECTOR DA EXTREMIDADE   |
| 11. | PROTEÇÃO DA LÂMINA TRASEIRA  |
| 12. | CAIXA DE VELOCIDADES METÁLICA  |
| 13. | COBERTURA DA LÂMINA  |
| 14. | CONJUNTO DE BATERIAS *   |
| 15. | BOTÃO DE LIBERTAÇÃO DA BATERIA   |

\* Acessórios ilustrados ou descritos não estão totalmente abrangidos no fornecimento.

# MANUAL ORIGINAL

## SEGURANÇA DO PRODUTO

### AVISOS GERAIS

### DE SEGURANÇA

### DE FERRAMENTAS

### ELÉCTRICAS



**AVISO** Leia todos os avisos de segurança, instruções, ilustrações e especificações fornecidos com esta ferramenta eléctrica. Caso não siga todas as instruções listadas de seguida poderá resultar e choque eléctrico, incêndio e/ou lesões graves.

Guarde estas instruções para referência futura. Os termos “ferramenta eléctrica” utilizados em todos os avisos constantes destas instruções referem-se à sua ferramenta eléctrica accionada por bateria (sem cabo de alimentação).

#### 1) LOCAL DE TRABALHO

- a) Mantenha o local de trabalho limpo e bem arrumado. Áreas com pouca iluminação e desordenadas podem provocar acidentes.
- b) Não utilize o aparelho em locais onde existam líquidos, gases ou poeiras inflamáveis e onde exista o risco de explosão. As ferramentas eléctricas produzem faíscas que podem inflamar poeiras ou gases.
- c) Mantenha as pessoas e particularmente as crianças afastadas da ferramenta eléctrica durante o seu funcionamento. Qualquer distração pode fazê-lo perder o controlo do berbequim.

#### 2) SEGURANÇA ELÉCTRICA

- a) A ficha do berbequim deve encaixar bem na tomada de alimentação. Nunca modifique fichas, seja de que maneira for. Não utilize nenhuma ficha de adaptação com ferramentas eléctricas que tenham ligação à terra. Fichas não modificadas e tomadas de corrente adequadas reduzem o risco de choque eléctrico.
  - b) Evite o contacto do corpo com superfícies ligadas à terra como tubos, aquecedores, fogões e frigoríficos. Existe um aumento do risco de choque eléctrico se o seu corpo estiver em contacto com a terra ou a massa.
  - c) Não opere a máquina em condições de chuva ou humidade. Esta situação pode aumentar o risco de choque eléctrico. Recomenda-se que uma vez molhada durante o funcionamento com chuva, a máquina e a bateria devem ser secas antes de serem armazenadas ou carregadas. Remover a bateria e voltar a inseri-la se a máquina não ligar. Mantenha as ligações da bateria livres de sujidade e resíduos e limpe-as com uma escova ou um pano macio e seco.
  - d) Não maltrate o cabo de alimentação. Nunca utilize o cabo para transportar, puxar ou
- e) desligar o aparelho da tomada de corrente. Mantenha o cabo afastado de fontes de calor, óleos, arestas afiadas ou peças em movimento. Cabos danificados ou enredados aumentam o risco de choque eléctrico.
  - e) Quando trabalhar com uma ferramenta eléctrica ao ar livre, use um cabo de extensão adequado para utilização no exterior. A utilização de um cabo adequado para uso exterior reduz o risco de choque eléctrico.
  - f) Se não puder evitar a utilização de uma ferramenta eléctrica num local húmido, utilize uma fonte de alimentação protegida contra corrente residual. A utilização de um dispositivo com protecção contra corrente residual reduz o risco de choque eléctrico.
- #### 3) SEGURANÇA DE PESSOAS
- a) Esteja atento, observe o que está a fazer e seja prudente sempre que trabalhar com uma ferramenta eléctrica. Não utilize nunca uma ferramenta eléctrica quando estiver cansado ou sob a influência de drogas, álcool ou medicamentos. Um momento de desatenção quando se utiliza uma ferramenta eléctrica pode causar lesões graves.
  - b) Utilize equipamentos de segurança. Use sempre óculos de protecção. Equipamentos de segurança, tais como máscaras protectoras, sapatos de sola antiderrapante, capacetes ou protecções auriculares devidamente utilizados reduzem o risco de lesões.
  - c) Evite o arranque acidental da ferramenta. Certifique-se de que o comutador de alimentação está desligado antes de ligar a ferramenta à fonte de alimentação e/ou à bateria, antes de pegar nela ou antes de a transportar. Se mantiver o dedo no interruptor ou accionar o aparelho enquanto este estiver ligado podem ocorrer acidentes.
  - d) Remova quaisquer chaves de ajuste ou de porcas antes de ligar a ferramenta eléctrica. Chaves de porcas ou de ajuste fixadas a peças móveis do berbequim podem causar lesões.
  - e) Não exceda as suas próprias capacidades. Mantenha sempre o corpo em posição firme e de equilíbrio, o que lhe permite controlar melhor a ferramenta eléctrica em situações imprevistas.
  - f) Use roupa apropriada. Não use vestuário solto ou artigos de joalheria. Mantenha o cabelo e as roupas e luvas afastados das peças móveis. Roupas soltas, artigos de joalheria ou cabelos compridos podem ser agarrados por peças em movimento.
  - g) Se forem fornecidos dispositivos para a montagem de unidades de extracção ou recolha de resíduos, Assegure-se de que são montados e utilizados adequadamente. A utilização destes dispositivos pode reduzir os perigos relacionados com a presença de resíduos.
  - h) Não permita que a familiaridade obtida do

uso frequente de ferramentas o tornem complacente o o faça ignorar os princípios de segurança da ferramenta. *Uma ação descuidada pode causar lesões graves numa fração de segundo.*

#### 4) UTILIZAÇÃO E MANUTENÇÃO DA FERRAMENTA ELÉCTRICA

##### a) Não force a ferramenta. Utilize a ferramenta eléctrica apropriada para cada aplicação.

*A utilização da ferramenta eléctrica apropriada executa o trabalho de forma melhor e mais segura, à velocidade para a qual foi concebida.*

##### b) Não utilize esta ferramenta se o interruptor estiver deficiente, não ligado ou desligado. Qualquer ferramenta eléctrica que não possa ser controlada pelo interruptor é perigosa e deve ser reparada.

##### c) Desligue a ficha da tomada eléctrica e/ ou remova o conjunto de pilhas, caso seja possível removê-lo, da ferramenta eléctrica antes de realizar quaisquer ajustes, substituir acessórios ou armazenar ferramentas eléctricas. Estas medidas de segurança preventivas reduzem o risco de activação acidental da ferramenta.

##### d) Quando não estiver a usar a ferramenta eléctrica, guarde-a fora do alcance das crianças e não deixe que esta seja utilizada por pessoas que não a conheçam, nem tenham lido as instruções. As ferramentas eléctricas são perigosas nas mãos de utilizadores inexperientes.

##### e) Realize a manutenção de ferramentas eléctricas e acessórios. Verifique quaisquer desalinhamentos, encaixes de peças móveis, quebras e outras condições que possam afectar o funcionamento. Se esta ferramenta estiver avariada, mande-a reparar antes a utilizar. Muitos acidentes são causados pela manutenção deficiente de ferramentas eléctricas.

##### f) Mantenha as ferramentas de corte limpas e afiadas. As ferramentas de corte com manutenção adequada e arestas de corte afiadas têm menos probabilidades bloquear e são mais fáceis de controlar.

##### g) Utilize a ferramenta eléctrica, acessórios, brocas, etc. em conformidade com estas instruções e da forma prevista para este tipo específico de ferramenta, tendo em conta as condições presentes e o trabalho a executar. A utilização de ferramentas eléctricas para aplicações diferentes daquelas a que se destinam pode levar a situações de perigo.

##### h) Mantenha as pegas e as superfícies de aderência secas, limpas e sem óleo e massa lubrificante. As pegas e superfícies de aderência escorregadias não permitem o manuseamento e controlo seguros da ferramenta em situações inesperadas.

#### 5) USO E TRATAMENTO DE APARELHOS COM ACUMULADOR

##### a) Apenas deverá carregar em carregadores, acumuladores recomendados pelo fabricante. *Um carregador que é apropriado para um tipo de acumulador, pode causar um incêndio se se for utilizado para carregar outros acumuladores.*

##### b) Apenas utilize nas ferramentas eléctricas os acumuladores previstos. *A utilização de outros acumuladores pode levar a lesões e riscos de incêndio.*

##### c) Quando o acumulador não estiver em uso, mantenha-o afastado de outros objectos de metal, como por exemplo agrafos, moedas, chaves, pregos, parafusos, ou outros pequenos objectos metálicos que possam ligar em ponte os contactos. *Um curto circuito entre os contactos do acumulador pode causar queimaduras ou incêndio.*

##### d) Aplicações inadequadas podem provocar fugas do líquido do acumulador. Evite o contacto com este líquido. No caso de um contacto acidental, lave imediatamente com água fresca. Se o líquido entrar em contacto com os olhos, procure um auxílio médico. *O líquido que escapa do acumulador pode levar a irritações ou queimaduras da pele.*

##### e) Não utilize um conjunto de baterias ou ferramenta que esteja danificado ou tenha sido modificado. *As baterias danificadas ou modificadas podem exibir um comportamento imprevisível, resultando em incêndio, explosão ou risco de lesão.*

##### f) Não exponha um conjunto de baterias ou ferramenta ao fogo ou temperatura excessiva. *A exposição ao fogo ou temperatura superior a 130 °C pode causar explosão.*

##### g) Siga todas as instruções de carregamento e não carregue o conjunto das baterias ou ferramenta fora do intervalo de temperatura especificado nas instruções. *O carregamento indevido ou a temperatura fora do intervalo especificado pode danificar a bateria e aumentar o risco de incêndio.*

#### 6) ASSISTÊNCIA TÉCNICA

##### a) A sua ferramenta eléctrica só deve ser reparada por um técnico de assistência qualificado e devem ser apenas utilizadas peças de substituição genuínas, mantendo assim a segurança da ferramenta.

##### b) Nunca faça a manutenção de conjuntos de baterias danificados. *A manutenção de conjuntos de baterias só deve ser efetuado pelo fabricante ou prestadores de serviço autorizados.*

## IMPORTANTES INSTRUÇÕES DE SEGURANÇA ADICIONAIS PARA O CORTA-SEBES

- a) Não utilize o corta-sebes em más condições climáticas, especialmente quando existe o risco de relâmpagos. *Isso diminui o risco de ser atingido por um raio.*
- b) Mantenha todos os fios e cabos de energia afastados da área de corte. *Os fios ou cabos de energia podem estar ocultos os sebes ou arbustos e podem ser cortados acidentalmente pela lâmina.*
- c) Use proteção auricular. *Um equipamento de proteção adequado reduzirá o risco de perda de audição.*
- d) Segure a ferramenta pelas superfícies de controlo isoladas ao executar uma operação onde a ferramenta cortante pode contactar com uma instalação eléctrica escondida. *O contacto com um fio eléctrico activo também passará a corrente eléctrica às partes de metal expostas da ferramenta e dar choque ao operador da mesma.*
- e) Mantenha todas as partes do corpo afastadas da lâmina do cortador. Não remova o material de corte nem segure no material a cortar quando as lâminas estiverem em movimento. *As lâminas continuam a mover-se mesmo depois do interruptor ter sido desligado. Um momento de desatenção enquanto opera o corta-sebes poderá resultar em lesões físicas graves.*
- f) Ao remover qualquer material encravado ou ao fazer a manutenção da unidade, certifique-se de que todos os interruptores de energia estão desligados e que a bateria foi removida ou desligada. *O acionamento inesperado do corta-sebes enquanto limpa qualquer material encravado ou faz a sua manutenção pode resultar em lesões pessoais graves.*
- g) Transporte o corta-sebes utilizando a pega com a lâmina do cortador imobilizada e tendo o cuidado de não operar nenhum interruptor de energia. *O manuseamento apropriado do corta-sebes reduz a possibilidade de lesões físicas provocadas pelas lâminas do cortador.*
- h) Ao transportar ou armazenar o corta-sebes, encaixe sempre a cobertura da lâmina. *O manuseamento apropriado do corta-sebes reduz o risco de ferimentos lesões físicas causadas pelas lâminas.*
- i) Verifique se a sebe contém objetos estranhos, por ex.: cercas de arame e fios eléctricos ocultos.
- j) Segure bem o corta-sebe, por exemplo com ambas as mãos, se forem fornecidas duas pegas.
- k) O corta-sebes destina-se a ser utilizado pelo operador ao nível do solo e não em cima de escadotes ou utilizando qualquer suporte instável.
- l) Antes de utilizar o corta-sebes, o utilizador deve certificar-se de que o(s) dispositivo(s) de bloqueio de quaisquer elementos móveis (por exemplo do veio estendido e o elemento

pivotante), se for o caso, estão na posição de bloqueio.

- m) Faça a manutenção de qualquer mecanismo de paragem ajustável a intervalos regulares.
- n) Não levante ou transporte o corta-sebes usando apenas uma pega.

## AVISOS DE SEGURANÇA PARA A BATERIA



- a) Não desmonte, abra ou corte as células da bateria.
- b) Não submetta a bateria a curto-circuitos. Não armazena as baterias ao acaso numa caixa ou gaveta onde possam provocar um curto-circuito ou submetidas a curto-circuitos por materiais condutores. Quando não estiver a utilizar a bateria, mantenha-a afastada de outros objectos metálicos, como cliques, moedas, chaves, pregos, parafusos ou outros pequenos objectos de metal, que possam realizar uma ligação de um terminal a outro. Um curto-circuito dos terminais da bateria pode provocar queimaduras ou um incêndio.
- c) Não exponha a bateria ao calor ou a incêndios. Evite o armazenamento à exposição de luz solar directa.
- d) Não exponha a bateria ao choque eléctrico.
- e) Em casos de fugas na bateria, não permita que o líquido entre em contacto com a pele ou olhos. Caso entre em contacto, lave a área afectada com quantidades abundantes de água e procure aconselhamento médico.
- f) Mantenha a bateria limpa e seca.
- g) Limpe os terminais da bateria com um pano limpo e seco em caso de sujidade.
- h) A bateria necessita de ser carregada antes de ser utilizada. Consulte sempre estas instruções e utilize o procedimento de carga correcto.
- i) Não mantenha a bateria a carregar quando não for utilizada.
- j) Após longos períodos de tempos de armazenamento, pode ser necessário carregar e descarregar a bateria diversas vezes para obter o desempenho máximo.
- k) Recarregue apenas com o carregador especificado pela Kress. Não utilize um carregador que não se encontra especificado para a utilização com o equipamento.
- l) Não utilize uma bateria que não se encontra concebida para a utilização com o equipamento.
- m) Mantenha a bateria fora do alcance das crianças.
- n) Preserve as informações originais do produto para futura referência.
- o) Retire a bateria do equipamento quando não estiver em utilização.











- p) **Elimine-a de forma adequada.**  
 q) **Não misture pilhas de diferente fabrico, capacidade, tamanho ou tipo num dispositivo.**  
 r) **Mantenha a bateria longe de fornos microondas e altas pressões.**  
 s) **Aviso! Não utilize pilhas não recarregáveis.**

## REQUISITOS DO MANUAL DO UTILIZADOR PARA PRODUTOS SEM FIO


- a) A operação deste aparelho está sujeita às duas condições seguintes:  
 (1) Este aparelho não pode causar interferências prejudiciais, e  
 (2) Este aparelho deve aceitar quaisquer interferências, incluindo interferências que possam causar um funcionamento indesejado.
- b) **Atenção:** Quaisquer alterações ou modificações que não foram expressamente aprovadas pela parte responsável da conformidade, podem anular a autoridade do utilizador para operar este equipamento.
- c) **NOTA:** Este equipamento gera, utiliza e pode radiar energia de radiofrequência e, se não for instalado e utilizado de acordo com as instruções, poderá causar interferência nociva em comunicações de rádio. No entanto, não existem quaisquer garantias de que não ocorram interferências numa instalação particular. Se este equipamento causar uma interferência prejudicial à receção de rádio ou televisão, o que pode ser determinado ao ligar e desligar o equipamento, recomenda-se que o utilizador tente corrigir esta interferência mediante uma ou mais das seguintes medidas:
- Reorientar ou reposicionar a antena recetora.
  - Aumentar a distância entre o equipamento e o recetor.
  - Ligar o equipamento a uma tomada num circuito diferente daquele ao qual o recetor está ligado.
  - Consultar o vendedor ou um técnico de rádio/TV experiente para obter ajuda.

## SÍMBOLOS

|  |   |
|--|---|
|  | Para reduzir o risco de ferimentos o utilizador deve ler o manual de instruções |
|  | Aviso   |

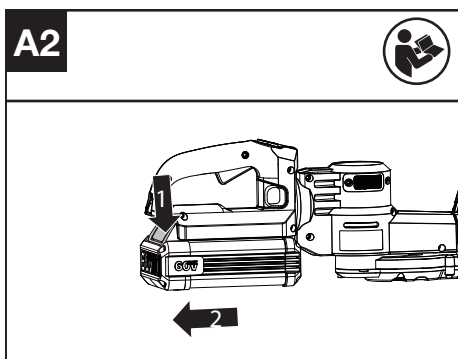
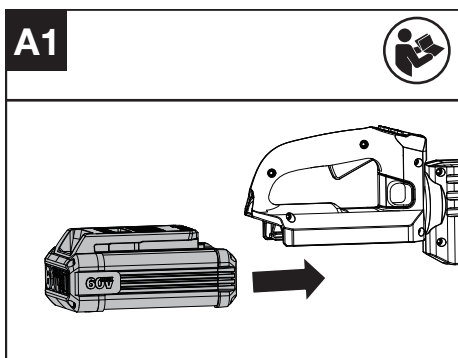
|   |   |
|---|---|
|             | Usar protecção ocular   |
|            | Usar protecção para os ouvidos  |
|            | Usar máscara contra o pó  |
|            | Mantenha as mãos afastadas da ferramenta  |
|            | Usar luvas de protecção   |
|            | Não queimar   |
|            | As baterias poderão entrar no ciclo hídrico caso sejam descartadas indevidamente, o que pode representar perigo para o ecossistema. Não elimine as baterias usadas como resíduos municipais não separados.  |
| <br>Li-Ion | Bateria de íões de lítio Este produto foi marcado com um símbolo relacionado com a “recolha separada” de todos os conjuntos de baterias e o conjunto de bateria. Será reciclada ou desmontada para reduzir o impacto no meio ambiente. Os conjuntos de baterias podem ser perigosos para o meio ambiente e para a saúde humana, uma vez que contém substâncias perigosas. |
|          | Os equipamentos eléctricos não devem ser depositados com o lixo doméstico. Se existirem instalações adequadas deve reciclá-los. Consulte a sua autoridade local para tratamento de lixos ou fornecedor para obter aconselhamento sobre reciclagem.  |
|          | Remova a bateria antes de fazer qualquer ajuste, reparação ou manutenção.   |

## MONTAGEM E FUNCIONAMENTO

-  **NOTA:** Antes de utilizar a ferramenta, leia atentamente o livro de instruções.

**!** ANTES DE USAR:

**Como Retirar Ou Instalar O Conjunto De Baterias (Veja Figura. A1,A2)**

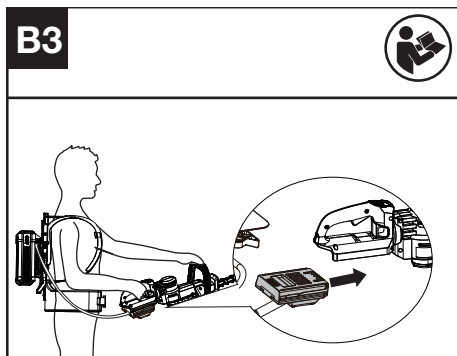
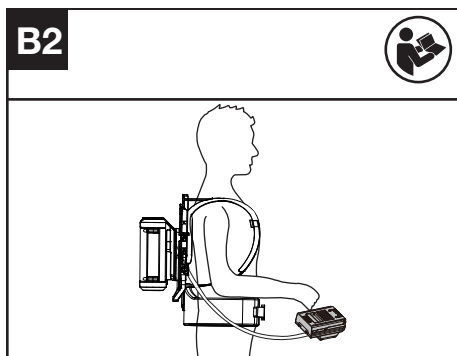
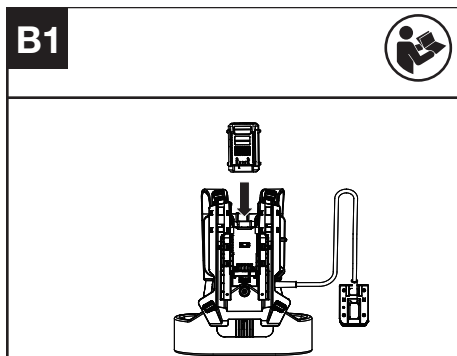


1. Deslize o módulo de bateria para dentro do compartimento da bateria até ouvir um clique.
2. Prima o botão de libertação da bateria para libertar o módulo de bateria da sua ferramenta.

**Ligação do corta-sebes ao arnês de mochila (Veja Figura. B1,B2,B3)**

Instale o módulo de bateria no arnês de mochila e, em seguida, insira a ficha na máquina. Ponha o arnês de mochila às costas.

Pode ver mais detalhes no manual do arnês de mochila.



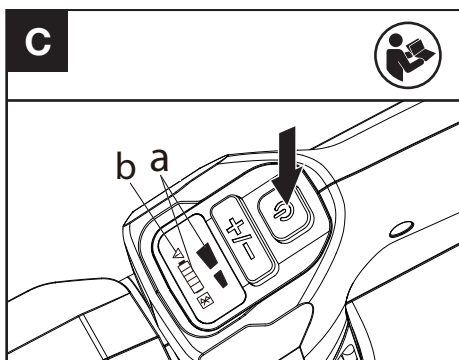
**Verificar os controlos**  
**Alavanca do interruptor dianteiro e**  
**alavanca do interruptor traseiro**

1. Remova a bateria.
2. Prima e liberte a alavanca do interruptor dianteiro e a alavanca do interruptor traseiro. A alavanca do interruptor dianteiro e a alavanca do interruptor traseiro podem ficar presas e não conseguirem voltar à sua posição original. Nesse caso, pare de usar o aparador e entre

em contacto com o seu representante de assistência.

## Verificar o visor

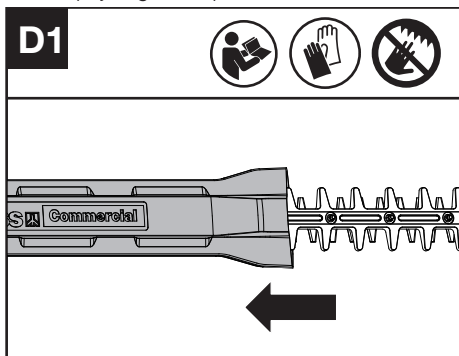
1. Introduza a bateria.
2. Mantenha o botão de Ligar/Desligar premido. O produto está ligado quando o LED(a) está aceso. O produto está desligado quando o LED(a) está apagado.
3. Se o indicador de aviso(b) se acender ou estiver a piscar, consulte a secção de **Resolução de problemas** para obter soluções.
4. Prima a alavanca do interruptor dianteiro, depois prima a alavanca do interruptor traseiro para ligar a máquina.
5. Liberte a alavanca do interruptor traseiro. O corta-sebes para. Se o corta-sebes não conseguir parar, remova a bateria e entre em contacto com o seu representante de assistência.



## FUNCIONAMENTO

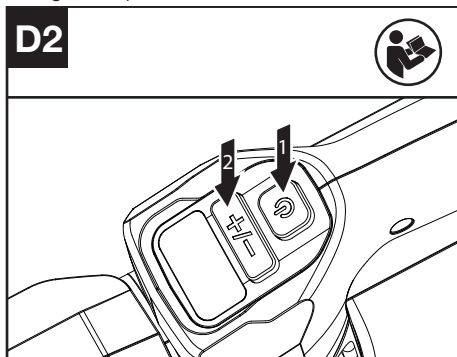
### Ligar e parar

Antes de utilizar, remova primeiro a bainha da lâmina. (Veja Figura. D1)

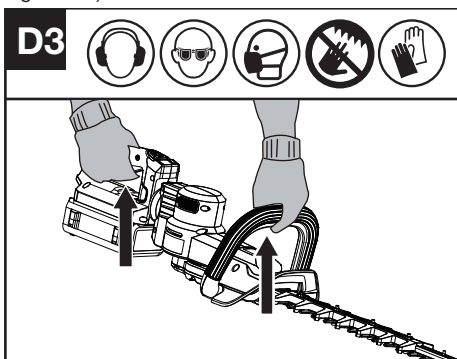


### Escolhendo a velocidade

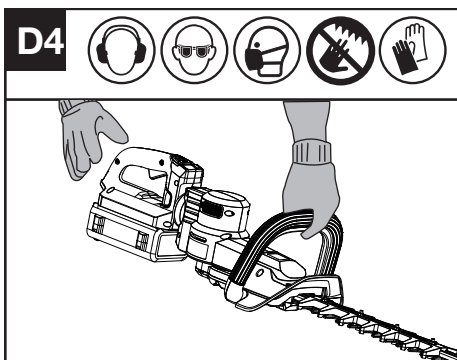
1. Prima o interruptor de Ligar/Desligar.
2. Prima o botão de controlo de velocidade para escolher a velocidade de que necessita. (Veja Figura. D2)



Prima a alavanca do interruptor dianteiro e a alavanca do interruptor traseiro para arrancar. (Veja Figura. D3)



Liberte a alavanca do interruptor traseiro e a alavanca do interruptor dianteiro para parar. (Veja Figura. D4)



Quando a máquina não estiver a ser utilizada, desligue a energia do corta-sebes e desligue-o do arnês de mochila.

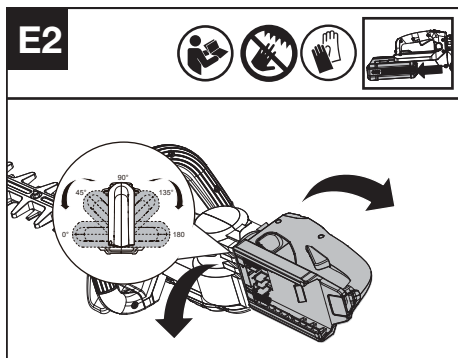
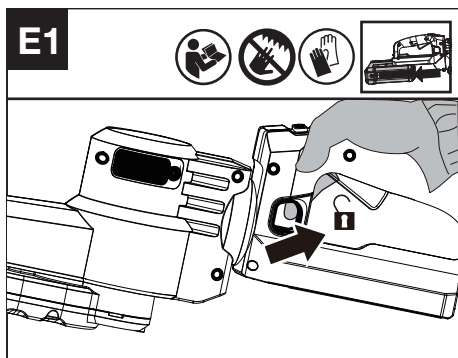
## Pega traseira de rotação (Veja Figura. E1, E2)

**NOTA:** Desbloqueie o interruptor de bloqueio antes de efetuar a rotação.

Após rodar o manípulo para a posição pretendida, ajuste ligeiramente até ser emitido um estalido.

**!** **AVISO!** Certifique-se sempre de que a pega está bloqueada na posição pretendida antes de colocar em funcionamento.

Certifique-se sempre de que o interruptor de bloqueio está bloqueado antes de ligar o corta-sebes. Não rode a pega quando o aparador estiver a ser operado.



### Como utilizar o seu corta-sebes

Antes de começar a cortar, inspeccione a área de corte e remova quaisquer objectos estranhos que possam ser projectados ou que possam ficar presos nas lâminas. Segure sempre no corta-sebes com ambas as mãos e com a lâmina afastada de si antes de o ligar.

Ao cortar ramos novos, efectue movimentos largos de forma a apanhar os ramos com a lâmina.

Deixe que as lâminas de corte atinjam a sua velocidade máxima antes de cortar. Ao utilizar o corta-sebes, mantenha as lâminas de corte afastadas de pessoas e de objectos tais como paredes, pedras grandes, árvores, veículos, etc. Se a lâmina ficar encravada, pare imediatamente o corta-sebes. Liberte as duas alavancas antes de

tentar limpar os detritos acumulados nas lâminas. Use luvas ao cortar ramos com espinhos ou que piquem.

Não tente cortar ramos que sejam demasiado grossos para a lâmina de corte.

## Corte de topo (Veja Figura. F)

Use movimentos largos. Uma ligeira inclinação da lâmina de corte para baixo proporciona melhores resultados.

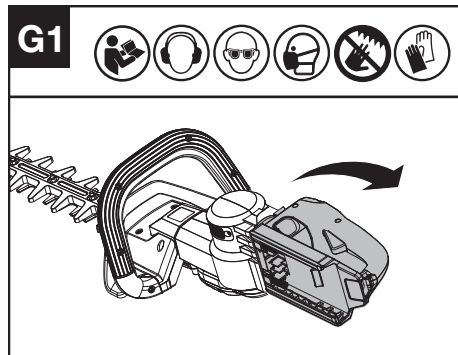
**!** **AVISO:** Se existirem peças em falta, danificadas ou partidas, não opere o seu corta-sebes até todas as peças danificadas terem sido substituídas ou reparadas. Caso não o faça, o resultado pode ser a ocorrência de lesões graves. **NÃO UTILIZE ESTA FERRAMENTA SEM COLOCAR A GUARDA E A PEGA FRONTAL.**

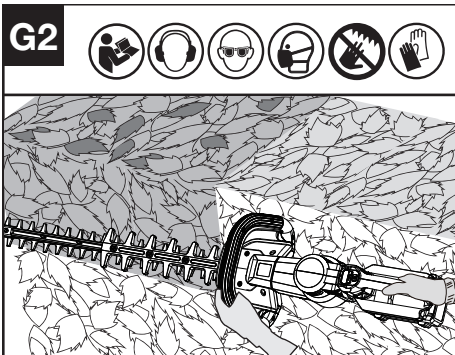


## Corte lateral (Veja Figura. G1, G2)

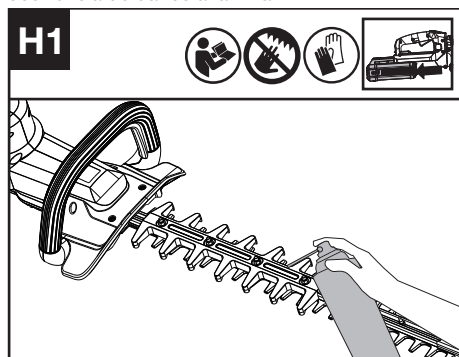
Ao cortar a parte lateral de uma sebe, comece pela parte inferior e vá cortando para cima, corte o topo de sebe de forma a que esta fique menos espessa na parte superior. Esta forma irá expor mais a sebe e resultar num crescimento mais uniforme.

**!** **AVISO:** Pare a operação do aparador antes de rodar a pega.





lubrificação recomendado (WD-40) para evitar a ocorrência de danos à lâmina.



## TRANSPORTE

### Transporte do aparador

1. Desligue o aparador e retire a bateria.
2. Quando transportar o seu aparador à mão, segure pelo meio do veio, com a cabeça de corte para trás, e certifique-se de que a sua máquina está paralela ao chão.
3. Quando transportar o seu aparador num veículo, fixe-o e posicione-o de modo a evitar qualquer movimento ou danos.

### Transporte da bateria

1. Certifique-se de que a bateria está em condições de segurança.
2. Use uma embalagem não condutora ao transportar a bateria.
3. As baterias de íões de lítio que contém estão sujeitas aos requisitos da legislação sobre mercadorias perigosas. Transporte as baterias apenas quando o compartimento da bateria não estiver danificado. Embale as baterias de forma a que não se possam movimentar dentro da embalagem.

## MANUTENÇÃO

**AVISO!** Remova sempre a bateria antes de realizar quaisquer trabalhos de manutenção no corta-sebes.

**Remova a bateria antes de fazer qualquer ajuste, reparação ou manutenção.**

A ferramenta, o conjunto de baterias e o carregador não têm peças susceptíveis de ser substituídas pelo utilizador. Nunca utilize água ou produtos químicos para limpar a sua ferramenta. Limpe-a com um pano macio. Guarde sempre a sua ferramenta num local seco. Mantenha as ranhuras de ventilação do motor devidamente limpas.

**Lubrificação da lâmina de corte (Veja Figura. H1)**

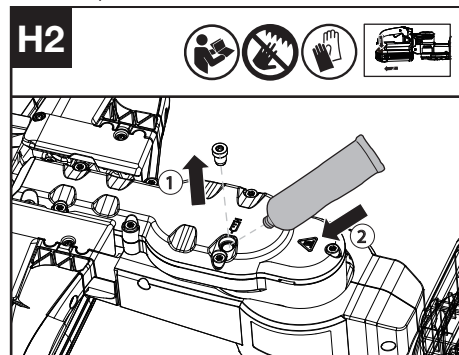
**NOTA:** É importante utilizar apenas o óleo de

**Lubrificação da caixa de velocidade (Veja Figura. H2)**

Retire o tampão roscado da caixa de velocidades. Lubrificação da caixa de velocidades através do orifício para o óleo após cada 50 horas de operação.

Retire os parafusos da tampa da caixa de velocidades e retire a tampa. Lubrificação após cada 300 horas de operação.

**NOTA:** Para um melhor funcionamento e maior durabilidade, lubrifique a caixa de velocidades do corta-sebes com massa lubrificante. (SHELL Gadus S2 V220 1).



### AFIAR

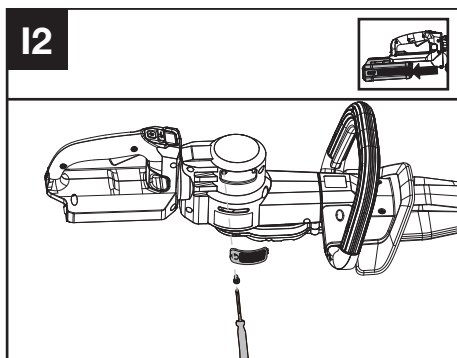
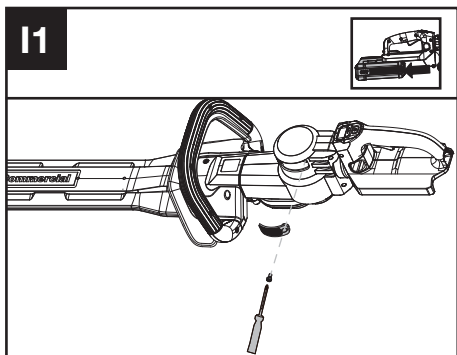
**AVISO:** Não opere a sua máquina com lâminas de corte embotadas ou danificadas, pois isso irá causar uma sobrecarga e um desempenho insatisfatório. Quando o desempenho de corte começar a deteriorar-se, por favor, volte a afiar a lâmina. Quando o desempenho de corte começar a deteriorar-se, mande afiar a lâmina a um profissional. Use sempre luvas de proteção quando manusear a lâmina do corta-sebes e afie apenas a parte de corte.

Afie apenas o bordo cortante. Não utilize uma rebarbadora para remover partes embotadas da lâmina ou da proteção. Utilize uma pedra de amolar para remover rebarbas do bordo cortante.

Depois de afiar, limpe o pó da lâmina.

## Limpar o filtro de ar (Veja Figura. I1, I2 )

1. Limpe a área em volta do filtro de ar. Utilize um pano húmido ou uma escova macia.
2. Desaparafuse e remova o filtro de ar.
3. Lave o filtro de ar com água corrente para remover a sujidade.
4. Deixe secar o filtro de ar ao ar. E depois volte a instalá-lo no seu compartimento apertando o parafuso.



## LIMPEZA

1. Desligue o corta-sebes e retire a bateria.
2. Não utilize detergentes ou solventes agressivos. Limpe a máquina após a utilização com um pano húmido mergulhado em detergente suave.
3. Mantenha a ligação da bateria livre de sujidade e resíduos, e limpe com uma escova ou um pano macio e seco.
4. Não pulverize água sobre o motor e os componentes elétricos.
5. Não utilize uma máquina de lavar sob pressão para limpar a sua máquina.

## ARMAZENAMENTO

1. Remova o módulo da bateria do corta-sebes

antes do armazenamento.

2. Armazene o corta-sebes num local seco e seguro, inacessível a crianças e outras pessoas não autorizadas.
3. A bateria apenas deve ser armazenada dentro de um intervalo de temperatura entre 41°F (5°C) e 77°F (25°C). Como exemplo, não deixe a bateria dentro do carro no verão.
4. Recomenda-se que uma vez molhada durante o funcionamento com chuva, a máquina e a bateria devem ser secas antes de serem armazenadas ou carregadas. Remover a bateria e voltar a inseri-la se a máquina não ligar.

## PARA FERRAMENTAS ELÉTRICAS

O intervalo de temperatura ambiente recomendado para descarga é -20°C ~ 45°C (-4°F ~ 113°F). O intervalo de temperatura ambiente recomendado para o sistema de carregamento durante o carregamento é entre -5°C~45°C(23°F~113°F).

## RESOLUÇÃO DE PROBLEMAS

A tabela seguinte lista problemas e acções que pode executar caso o seu equipamento não esteja a funcionar correctamente.

**AVISO:** Desligue o equipamento e remova a bateria antes de tentar resolver qualquer problema.

### APARADOR

| Problemas                         | Causas possíveis           | Ação corretiva  |
|-----------------------------------|----------------------------|---|
| LED indicador da bateria a piscar | Baixa voltagem da bateria. | Carregue a bateria.   |
| LED vermelho de erro a piscar     | Sobrecarga.                | O acessório de corte está encravado. Desligue o produto. Remova a bateria. Limpe o acessório de corte, retirando materiais não desejados. |
|                                   | Problema de temperatura.   | Deixe o produto arrefecer.  |
|                                   | Outros problemas           | Contacte um Agente do Serviço Assistência Técnica   |

|  |  |  |
|--|--|--|
| O produto não se liga                  | Detritos nos conectores da bateria.                      | Limpe s conectores da bateria com ar comprimido ou uma escova macia.               |
|  | Outros problemas   | Contacte um Agente do Serviço Assistência Técnica.                                 |
| O aparador funciona intermitentemente. | A bateria não está completamente introduzida na máquina. | Introduza a bateria completamente.   |
|  | Problema elétrico provável.                              | Contacte um Agente do Serviço Assistência Técnica.                                 |
|  | Problema com o acessório de corte. Máquina avariada.     | Substitua o acessório de corte. Contacte um Agente do Serviço Assistência Técnica. |

## BATERIA

| Problemas          | Causas possíveis             | Ação corretiva  |
|--------------------|------------------------------|---|
| LED de erro aceso. | A bateria está descarregada. | Carregue a bateria. Se a bateria não carregar, contacte o Agente do Serviço Assistência Técnica.  |
|                    | Problema de temperatura.     | Utilize a bateria em ambientes com temperaturas entre os -5 °C e os 45 °C (23 °F a 113 °F) para carregar; -20 °C a 45 °C (-4 °F a 113 °F) para descarregar. |
|                    | Outros                       | Contacte o seu Agente do Serviço Assistência Técnica.   |

## DADOS TÉCNICOS

Tipo: **KC201 KC201.X** (201- designação de máquinas, representativa de um corta-sebes sem

## fiio)

|                        |                                  |
|------------------------|----------------------------------|
|                        | <b>KC201 KC201.X**</b>           |
| Tensão                 | 60 V $\overline{\text{MAX}}$ *** |
| Velocidade de corte    | 4400/5000 SPM                    |
| Comprimento da lâmina  | 63 cm (25")                      |
| Espaçamento dos dentes | 30 mm (1.18 inch)                |
| Nível de proteção      | IPX4                             |
| Peso (Ferramenta nua)  | 3.8 kg (8.3 lbs)                 |

\*\* X = 1-999, A-Z, M1-M9, são utilizados apenas para clientes diferentes, não há alterações relevantes seguras entre esses modelos.

\*\*\* Tensão medida sem carga. A tensão inicial da bateria atinge o máximo de 60 volts. A tensão nominal é de 54 volts.

## BATERIAS E CARREGADORES SUGERIDOS

| Baterias                        | Capacidade | Carregador | Amperage |
|---------------------------------|------------|------------|----------|
| KAC800                          | 4 Ah       | KAC840     | 30 A     |
| KAC810 (Com o arnês de mochila) | 11 Ah      |            |          |
| KA3000                          | 2.0 Ah     |            |          |

Recomendamos que compre os seus acessórios no mesmo revendedor que lhe vendeu a ferramenta. Consulte a embalagem do acessório para obter mais detalhes. O seu revendedor pode ajudá-lo e oferecer conselhos.

## ESPECIFICAÇÕES TÉCNICAS PARA O MÓDULO DE BATERIA (OPCIONAL)

|  |                 |
|--|-----------------|
| Bandas de frequência para Bluetooth        | 2400-2483.5 MHz |
| Potência máxima transmitida para Bluetooth | 8 dBm           |

## INFORMAÇÃO DE RUÍDO

|                          |                                |
|--------------------------|--------------------------------|
| Pressão de som avaliada  | $L_{pA} = 87.48 \text{ dB(A)}$ |
| $K_{pA}$                 | 3.0 dB(A)                      |
| Potência de som avaliada | $L_{wA} = 95.48 \text{ dB(A)}$ |

PT

$K_{WA}$  0.97 dB(A)

Use protecção de ouvidos



## INFORMAÇÃO DE VIBRAÇÃO

Os valores totais de vibração (soma de vectores triaxiais) são determinados de acordo com a normativa EN 62841:

Vibração característica ponderada Traseira:  $a_n = 2.42 \text{ m/s}^2$   
Dianteira:  $a_n = 2.50 \text{ m/s}^2$

Instabilidade Traseira:  $K = 1.5 \text{ m/s}^2$   
Dianteira:  $K = 1.5 \text{ m/s}^2$

O valor total de vibração declarado e o valor de emissão de ruído declarado foram medidos de acordo com um método de teste normalizado e poderão ser utilizados para comparar ferramentas entre si.

O valor total de vibração declarado e o valor de emissão de ruído declarado também poderão ser utilizados numa avaliação preliminar da exposição.



**AVISO:** a vibração e as emissões de ruído durante o uso efetivo da ferramenta elétrica podem diferir do valor declarado, em função das formas como a ferramenta é utilizada, especialmente no que se refere ao tipo de peça de trabalho que é processada em função dos seguintes exemplos e de outras variações sobre como a ferramenta é utilizada:

O modo como a ferramenta é utilizada, os materiais a cortar ou perfurar.

A ferramenta estar em boas condições e bem conservada.

A utilização do acessório correcto para a ferramenta e a garantia de que está afiado e em boas condições.

A tensão de aderência nas pegas e se são utilizados acessórios anti-vibração e ruído.

Se a ferramenta é utilizada para o objectivo para a qual foi concebida e segundo as instruções.

**Esta ferramenta pode causar síndrome de vibração mão-braço, se não for adequadamente utilizada.**



**AVISO:** Para ser preciso, uma estimativa do nível de exposição nas condições actuais de utilização deve ter em conta todas as partes do ciclo de operação, como os tempos em que a ferramenta está desligada e quando está em funcionamento, mas inactiva, ou seja, não realizando o seu trabalho. Isto poderá reduzir significativamente o nível de exposição durante o período total de trabalho. Ajudar a minimizar a sua vibração e risco de exposição ao ruído.

Utilize SEMPRE formões, brocas e lâminas afiadas. Mantenha esta ferramenta de acordo com as instruções e bem lubrificada (quando aplicável).

Se a ferramenta tiver de ser utilizada regularmente,

invista em acessórios anti-vibração e anti-ruído. Planeie o seu horário de trabalho de forma a distribuir a utilização de ferramentas de alta vibração ao longo de vários dias.

## PROTECÇÃO AMBIENTAL



Os equipamentos eléctricos não devem ser depositados com o lixo doméstico. Se existirem instalações adequadas deve reciclá-los. Consulte a sua autoridade local para tratamento de lixos ou fornecedor para obter aconselhamento sobre reciclagem.

## DECLARAÇÃO DE CONFORMIDADE

NÓS,  
Positec Germany GmbH  
Postfach 680194, 50704 Cologne, Germany

declaramos que o produto,  
Descrição **Corta-sebes a bateria**  
Tipo **KC201 KC201.X (201-designação de máquinas, representativa de um corta-sebes)**  
Função **Para aparar sebes e arbustos**

Cumpra as seguintes Directivas,  
**2006/42/EC, 2014/30/EU, 2011/65/EU&(EU)2015/863, 2000/14/EC rectificada em 2005/88/EC**

2000/14/EC rectificada em 2005/88/EC:

- Processo de Avaliação de Conformidade segundo Annex V

- Nível de Volume de Som Medido 95.48 dB (A)

- Nível de Volume de Som Garantido 96.45 dB (A)

Normas em conformidade com:  
**EN 62841-1, EN 62841-4-2, EN ISO 3744, EN IEC 55014-1, EN IEC 55014-2, EN IEC 63000**

Pessoa autorizada a compilar o ficheiro técnico,

**Nome:** Marcel Filz  
**Endereço:** Positec Germany GmbH  
Postfach 680194, 50704 Cologne, Germany



2024/06/19

Allen Ding  
Engenheiro-chefe adjunto, Teste e Certificação  
Positec Technology (China) Co., Ltd  
18, Dongwang Road, Suzhou Industrial  
Park, Jiangsu 215123, P. R. China

# INHOUDSOPGAVE

|                                 |    |
|---------------------------------|----|
| Inleiding.....                  | 83 |
| Onderdelenlijst.....            | 84 |
| Productveiligheid.....          | 85 |
| Montage en bediening.....       | 89 |
| Vervoer.....                    | 92 |
| Onderhoud.....                  | 92 |
| Reiniging.....                  | 93 |
| Opslag.....                     | 93 |
| Problemen oplossen.....         | 93 |
| Technische gegevens.....        | 94 |
| Bescherming van het milieu..... | 95 |
| Conformiteitverklaring.....     | 95 |

NL

## INLEIDING

Beste klant,

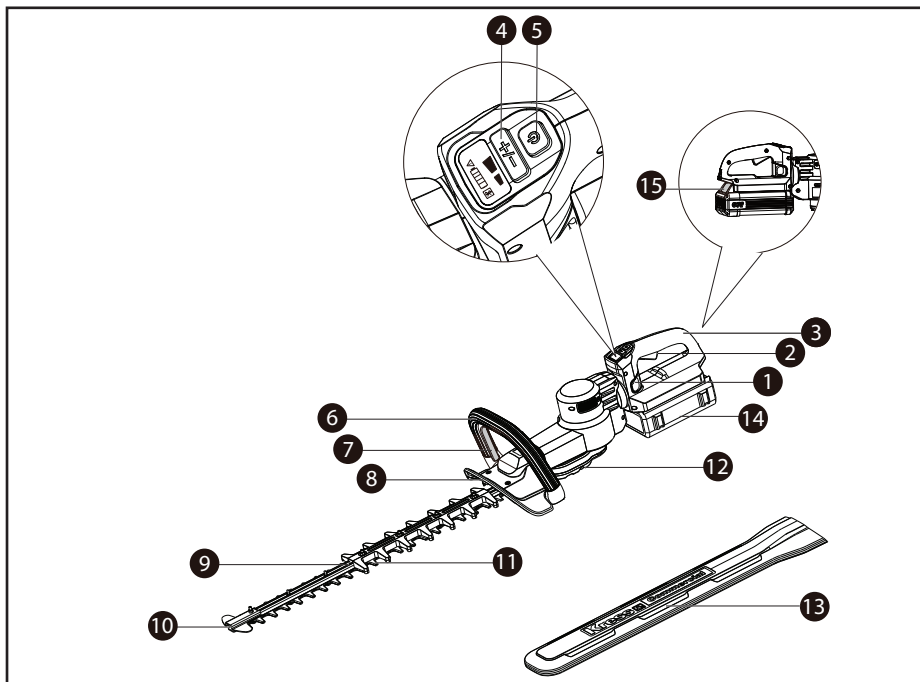
Dank u voor het kopen van dit Kress Commercial-product. Wij zijn toegewijd aan het ontwikkelen van producten van hoge kwaliteit om aan uw commerciële hoveniersvereisten te voldoen.

Het merk Kress staat synoniem voor service van topkwaliteit. Als u tijdens de levensduur van uw product vragen of twijfels hebt over uw product, neem dan contact op met uw distributeur of onze klantendienst voor hulp.

Wij zijn ervan overtuigd dat u nog jarenlang plezier zult beleven aan het werken met uw Kress-product.

## BEOOGD GEBRUIK

Deze machine is bestemd voor het knippen en trimmen van heggen en struiken voor licht en zwaar commercieel gebruik.



## DRIE SNELHEIDSINSTELLINGEN

- |     |  |
|-----|--|
| 1.  | VERGREDELINGSSCHAKELAAR VOOR HET DRAAIEN VAN HET ACHTERSTE HANDVAT |
| 2.  | GASHENDEL  |
| 3.  | DRAAIBARE ACHTERSTE HENDEL   |
| 4.  | SNELHEIDSREGELAAR  |
| 5.  | AAN/UITSCHAKELAAR  |
| 6.  | HANDVAT VOOR   |
| 7.  | GEbruikers-ANWEZIGHEIDSSCHAKELAAR (RONDOM SCHAKELAARFUNCTIE)       |
| 8.  | BESCHERMKAP  |
| 9.  | SNIJBLAD   |
| 10. | TIP PROTECTOR  |
| 11. | ACHTERSTE MESBESCHERMER  |
| 12. | PUNTBESCHERMER   |
| 13. | BESCHERMKOKER  |
| 14. | ACCUPACK *   |
| 15. | ACCU-ONTGREDELINGSKNOP   |

\* Sommige afgebeelde of beschreven toebehoren worden niet meegeleverd.

# OORSPRONKELIJKE GEBRUIKSAANWIJZING

## VEILIGHEIDSWAARSCHUWINGEN

### ALGEMENE

## VEILIGHEIDSWAARSCHUWINGEN

### VOOR VERMOGENSMACHINE



**WAARSCHUWING:** Lees alle veiligheidswaarschuwingen,

instructies, illustraties en specificaties die bij dit elektrisch gereedschap werden meegeleverd.

Het niet opvolgen van alle onderstaande voorschriften kan tot een elektrische schok, brand en/of ernstig persoonlijk letsel leiden.

**Bewaar alle waarschuwingen en instructies voor latere naslag.**

De term “(elektrisch) gereedschap” in de waarschuwingen hieronder, verwijst naar uw op netspanning werkende gereedschap (met stroomdraad) of uw accugereedschap (draadloos).

#### 1) WERKGEBIED

- a) Houd uw werkgebied schoon en zorg ervoor dat deze goed verlicht is. In rommelige en slecht verlichte werkgebieden gebeuren sneller ongelukken.
- b) Gebruik elektrisch gereedschap niet in explosieve atmosferen, zoals in de nabijheid van ontvlambare vloeistoffen, gassen of stof. Elektrisch gereedschap veroorzaakt vonken die de stof of de gassen kunnen doen ontvlammen.
- c) Houd kinderen en omstanders uit de buurt terwijl u met elektrisch gereedschap werkt. Afdelingen kunnen ervoor zorgen dat u de controle over het gereedschap verliest.

#### 2) ELEKTRISCHE VEILIGHEID

- a) De stekker van het elektrisch gereedschap moet passen in het stopcontact. Pas de stekker op geen enkele manier aan om te zorgen dat hij wel past. Gebruik geen adapterstekkers terwijl u geaard elektrisch gereedschap gebruikt. Onaangepaste stekkers die in het stopcontact passen, verminderen de kans op een elektrische schok.
  - b) Vermijd lichamelijk contact met geaarde of gegronde oppervlakken, zoals buizen, radiatoren, fornuizen en koelkasten. Als uw lichaam geaard of geground is, is er een grotere kans op een elektrische schok.
  - c) Gebruik de machine niet in regen of natte omstandigheden. Dit kan het risico op een elektrische schok vergroten. Als de machine en de accu tijdens het gebruik nat zijn geworden in de regen, moeten ze worden gedroogd voordat ze worden opgeborgen of opgeladen. Verwijder de accu en plaats deze opnieuw als de machine niet inschakelt. Houd de accuaansluiting vrij van vuil en stof en reinig
- deze met een zachte, droge borstel of doek.
- d) Gebruik de stroomdraad niet op een andere manier dan waarvoor deze gemaakt is. Trek niet aan de stroomdraad, ook niet om de stekker uit het stopcontact te krijgen en draag het gereedschap niet door het aan de stroomdraad vast te houden. Houd de stroomdraad uit de buurt van hitte, olie, scherpe hoeken en bewegende onderdelen. Beschadigde of verwarde stroomdraden vergroten de kans op een elektrische schok.
  - e) Wanneer u het elektrische gereedschap buitenshuis gebruikt, dient u te zorgen voor een verlengsnoer dat geschikt is voor gebruik buitenshuis. Het gebruik van een verlengsnoer dat geschikt is voor gebruik buitenshuis, vermindert de kans op een elektrische schok.
  - f) Moet een krachtmachine in een vochtige locatie worden gebruikt, gebruik dan een aardlekschakelaar (ALS). Een ALS vermindert het gevaar op elektrische schokken.
- ### 3) PERSOONLIJKE VEILIGHEID
- a) Blijf alert, kijk waar u mee bezig bent en gebruik uw gezonde verstand wanneer u met elektrisch gereedschap werkt. Gebruik geen elektrisch gereedschap wanneer u moe bent of onder de invloed van drugs, alcohol of medicijnen. Een moment van onoplettendheid bij het gebruik van elektrisch gereedschap kan leiden tot ernstig persoonlijk letsel.
  - b) Gebruik uw veiligheidsuitrusting. Draag altijd oogbescherming. Een veiligheidsuitrusting, zoals een stofmasker, schoenen met antislipzolen, een veiligheidshelm, of oorbescherming die onder de juiste omstandigheden gebruikt wordt, vermindert de kans op persoonlijk letsel.
  - c) Pas op dat het apparaat niet onbedoeld wordt gestart. Zorg ervoor dat de schakelaar uit staat voordat u de voeding en/of batterij aansluit, en als u de machine oppakt en draagt. Gereedschap dragen terwijl u uw vinger op de schakelaar houdt, of de stekker in het stopcontact steken terwijl het gereedschap ingeschakeld staat, is vragen om ongelukken.
  - d) Verwijder inbusleutels of moersleutels voordat u het gereedschap inschakelt. Een sleutel die nog in of op een draaiend onderdeel van het elektrische gereedschap zit, kan leiden tot ernstig persoonlijk letsel.
  - e) Werk niet boven uw macht. Zorg er altijd voor dat u stevig staat en goed in balans bent. Hierdoor heft u betere controle over het gereedschap in onverwachte situaties.
  - f) Draag geschikte kleding. Draag geen loszittende kleding of sieraden. Houd uw haar en kleding uit de buurt van bewegende onderdelen. Loszittende kleding, sieraden of lang haar kan vast komen te zitten in bewegende onderdelen.
  - g) Wanneer er apparaten worden bijgeleverd voor stofafzuiging en -opvang, zorg er dan

voor dat deze aangesloten zijn en op de juiste manier gebruikt worden. Het gebruik van deze apparaten vermindert de gevaren die door stof kunnen ontstaan.

- h) Als u gereedschap veelvuldig gebruikt, dan kan dit leiden tot het negeren van de veiligheidsprincipes, probeer dit te vermijden.** Een achteloze actie kan binnen een fractie van een seconde leiden tot ernstig letsel.

#### 4) GEBRUIK EN ONDERHOUD VAN ELEKTRISCH GEREEDSCHAP

- a) Forceer het gereedschap niet. Gebruik gereedschap dat voor de toepassing geschikt is.** Het gebruik van geschikt gereedschap levert beter werk af en werkt veiliger als het gebruikt wordt op de snelheid waar het voor ontworpen is.
- b) Gebruik het gereedschap niet wanneer de aan/uitschakelaar niet functioneert.** Gereedschap dat niet kan worden bediend met behulp van de schakelaar is gevaarlijk en dient te worden gerepareerd.
- c) Neem de stekker uit het stopcontact en/of verwijder de batterij voordat u instellingen verandert, toebehoren vervangt of de machine opbergt.** Deze preventieve veiligheidsmaatregelen verminderen de kans op het ongewild inschakelen van het gereedschap.
- d) Berg gereedschap dat niet gebruikt wordt buiten het bereik van kinderen op en laat personen die niet bekend zijn met het gereedschap of met deze veiligheidsinstructies het gereedschap niet bedienen.** Elektrisch gereedschap kan in de handen van ongetrainde gebruikers gevaarlijk zijn.
- e) Onderhoud elektrisch gereedschap op de juiste wijze. Controleer of bewegende onderdelen nog goed uitgelijnd staan, of ze niet ergens vastzitten en controleer op elke andere omstandigheid die ervoor kan zorgen dat het gereedschap niet goed functioneert. Wanneer het gereedschap beschadigd is, dient u het te repareren voordat u het in gebruik neemt. Veel ongelukken worden veroorzaakt door slecht onderhouden elektrisch gereedschap.**
- f) Houd snijdend gereedschap schoon en scherp.** Goed onderhouden snijdend gereedschap met scherpe zaagbladen/messen zal minder snel vastlopen en is makkelijker te bedienen.
- g) Gebruik het gereedschap, de accessoires, de bitjes, enz. in overeenstemming met deze instructies en op de manier zoals bedoeld voor het specifieke type elektrisch gereedschap, rekening houdend met de werkomstandigheden en het uit te voeren werk.** Het gereedschap gebruiken voor andere doeleinden dan waar deze voor ontworpen is, kan gevaarlijke situaties opleveren.
- g) Houd de handgrepen en grijppoppervlakten droog, schoon en vrij van olie en**

**smearmiddel. Glibberige handgrepen en grijppoppervlakten laten geen veilige hantering toe, en zorgen ervoor dat u geen controle hebt over het gereedschap in onverwachte omstandigheden.**

#### 5) GEBRUIK EN ONDERHOUD VAN ACCUGEREEDSCHAP

- a) Laad het accupack alleen op met de door de fabrikant aangegeven oplader.** Een oplader die geschikt is voor het ene type accupack, kan brand veroorzaken wanneer die gebruikt wordt voor een ander type accupack.
- b) Gebruik het gereedschap uitsluitend met het aangegeven accupack.** Door het gebruik van andere accupacks ontstaat de kans op letsel of brand.
- c) Wanneer het accupack niet gebruikt wordt, dient u het uit de buurt te houden van metalen voorwerpen, zoals paperclips, munten, sleutels, spijkers, schroeven of andere kleine metalen voorwerpen die een verbinding kunnen maken tussen de contactpunten van de terminal. Het kortsluiten van de accuterminals kan zorgen voor brandwonden of brand.**
- d) Onder extreme omstandigheden kan er vloeistof uit de accu lopen; raak deze vloeistof niet aan. Wanneer u toch onverhoopt met de vloeistof in aanraking komt, dient u zo snel mogelijk een arts te raadplegen. Vloeistof die afkomstig is uit de accu kan irritatie of brandwonden veroorzaken.**
- e) Gebruik geen accu of gereedschap dat beschadigd of aangepast is. Beschadigde of aangepaste accu's kunnen onvoorspelbaar reageren, wat kan leiden tot brand, explosie of het veroorzaken van letsel.**
- f) Stel een accu of gereedschap niet bloot aan vuur of extreme temperatuur. Blootstelling aan brand of een temperatuur boven 130 °C kan explosie veroorzaken.**
- g) Volg alle instructies en laad de accu of het gereedschap niet op buiten het temperatuurbereik dat vermeld is in de handleiding. Onjuist opladen of opladen bij temperaturen buiten het aangegeven bereik kan de accu beschadigen en het risico op brand vergroten.**
- #### 6) SERVICE
- a) Laat uw elektrisch gereedschap repareren door een bevoegde gereedschappaar die alleen originele reserveonderdelen gebruikt. Zo bent u er zeker van dat uw gereedschap veilig blijft.**
- b) Repareer nooit beschadigde accu's. Reparatie van accu's mag alleen worden uitgevoerd door de fabrikant of geautoriseerde onderhoudstechnici.**

# BELANGRIJKE EXTRA VEILIGHEIDSRICHTLIJNEN VOOR UW DRAADLOZE HEGGENSCHAAR

- a) Gebruik de heggenschaar niet tijdens slechte weersomstandigheden, in het bijzonder wanneer er kans op bliksem is. *Dit verlaagt het risico op een blikseminslag.*
- b) **Houd alle snoeren en kabels uit de buurt van het zaagegebied.** *Tijdens de werking kunnen de snoeren of kabels verborgen zijn in de hagen of heesters en kunnen ze per ongeluk worden doorsneden.*
- c) **Draag gehoorbescherming.** *Adequate beschermingsmiddelen verminderen het risico op gehoorverlies.*
- d) **Houd het gereedschap vast bij de geïsoleerde handvatten als u een actie onderneemt waarbij het priemende gereedschap in contact kan komen met verborgen kabels.** *Contact met een kabel waar spanning op staat zet tevens spanning op metalen onderdelen van het apparaat en geeft de gebruiker een schok.*
- e) **Houd alle lichaamsdelen uit de buurt van het mes. Verwijder geen afgesneden materiaal en houd het te snijden materiaal niet vast terwijl de messen in beweging zijn.** *De messen blijven bewegen nadat de schakelaar is uitgeschakeld. Een moment van onoplettendheid tijdens het gebruik van de heggenschaar kan leiden tot ernstig persoonlijk letsel.*
- f) **Houd alle lichaamsdelen uit de buurt van het snijblad. Verwijder het materiaal niet en houd het niet vast terwijl het snijblad in beweging is.** *De snijbladen blijven na het uitschakelen van de schakelaar draaien. Een ogenblik van onoplettendheid bij het gebruik van de heggenschaar kan ernstig persoonlijk letsel tot gevolg hebben.*
- g) **Tijdens het verwijderen van vastzittende materiaal of het onderhouden van het gereedschap, zorg dat alle aan/uit-schakelaars op 'uit' zijn ingesteld en de accu verwijderd of ontkoppeld is.** *Een onverwachte activering van de heggenschaar tijdens het verwijderen van vastzittend materiaal of onderhouden van het gereedschap kan ernstig persoonlijk letsel veroorzaken.*
- h) **Draag de heggenschaar aan het handvat met een stilstaand snijblad en gebruik de aan/uit-schakelaar niet.** *Door de heggenschaar met zorg te behandelen vermindert u de kans op letsel door het snijblad.*
- i) **Breng altijd de snijbladhoes wanneer u de heggenschaar transporteert of opbergt.** *Een juiste hantering van de heggenschaar beperkt de kans op persoonlijk letsel dat door de snijbladen wordt veroorzaakt.*
- j) **Controleer of er geen vreemde voorwerpen in de haag zitten, bijvoorbeeld afsluiting en**

verborgen bedrading.

- k) De heggenschaar is bestemd om te worden gebruikt door de bediener op de grond en niet op een ladder of een onstabiele steun.
- l) Alvorens de heggenschaar te gebruiken, moet de gebruiker ervoor zorgen dat de vergrendelinrichting(en) van de bewegende elementen (bijv. de uitschuifbare schacht en draaiend element), indien aanwezig, zich in de vergrendelende positie bevinden.
- m) Onderhoud de verstelbare stopmechanismen regelmatig.
- n) Til of draag de heggenschaar niet met één handvat.

## BATTERIJVEILIGHEID VEILIGHEIDSinSTRUCTIES VOOR HET ACCUPACK

- a) Batterijcellen en accupacks mogen niet gedemonteerd, geopend of vernietigd worden.
- b) **Sluit accupacks niet kort. Bewaar accupacks niet willekeurig in een doos of lade waar ze elkaar kunnen kortsluiten of door geleidende voorwerpen kortgesloten kunnen worden.** *Houd het accupack op een afstand van andere metalen voorwerpen als paperclips, muntstukken, sleutels, nagels, schroeven en andere kleine metalen voorwerpen die de contacten van de accupack kunnen verbinden. Kortgesloten contacten van accupacks kunnen brandwonden of brand veroorzaken.*
- c) **Stel accupacks niet bloot aan warmte of vuur. Vermijd opslag in direct zonlicht.**
- d) **Stel accupacks niet bloot aan mechanische schokken.**
- e) **Als een accu lekt dient men voorzichtig te zijn dat de vloeistof niet in contact komt met de huid of de ogen. Als dat toch gebeurt spoelt men de huid onder stromend water en raadpleegt men een arts.**
- f) **Houd batterijcellen en accupacks schoon en droog.**
- g) **Veeg de aansluitingen van het accupack schoon met een droge doek als ze vuil zijn geworden.**
- h) **Accupacks moeten voor gebruik worden opgeladen. Lees de gebruiksaanwijzing voor de juiste laadinstructies.**
- i) **Laat accupacks niet langdurig opladen als ze niet worden gebruikt.**
- j) **Na een lange opslagperiode kan het nodig zijn het accupack enkele keren op te laden en te ontladen voor een optimale prestatie.**
- k) **Laad alleen op met een lader met de technische gegevens van Kress. Gebruik geen andere lader dan de lader die specifiek voor dat doel met de apparatuur is meegeleverd.**
- l) **Gebruikt geen accupack dat niet bedoeld is voor gebruik met deze apparatuur.**
- m) **Houd accupacks buiten het bereik van kinderen.**

- n) Bewaar de oorspronkelijke instructies van het product voor latere gebruik.
- o) Verwijder het batterijpakket uit de apparatuur als het niet in gebruik is.
- p) Volg de juiste procedure voor afvalverwijdering na afdanken van dit apparaat.
- q) Gebruik geen cellen van verschillende fabrikanten, capaciteit, afmetingen of typen binnen een apparaat.
- r) Houd de accu uit de buurt van microgolven en hoge druk.
- s) **Waarschuwing! Gebruik geen niet-oplaadbare batterijen.**

## GEBRUIKERSHANDLEIDING VOOR VEREISTEN VAN SNOERLOZE PRODUCTEN

- a) Het gebruik van dit apparaat is onderhevig aan de volgende twee voorwaarden:
- (1) Dit apparaat mag geen schadelijke storing veroorzaken, en
  - (2) dit apparaat moet alle ontvangen storing aanvaarden, met inbegrip van storing die ongewenste werking kan veroorzaken.
- b) Let op: Wijzigingen of aanpassingen aan dit apparaat die niet uitdrukkelijk zijn goedgekeurd door de instantie, die verantwoordelijk is voor de naleving, kunnen het recht van de gebruiker om het apparaat te bedienen tenietdoen.
- c) **OPMERKING:** Dit apparaat genereert, gebruikt en kan radiofrequentie-energie uitstralen en kan, indien niet volgens de instructies geïnstalleerd en gebruikt, schadelijke storing aan radiocommunicatie veroorzaken. Er is echter geen garantie, dat er in een bepaalde installatie geen storing zal optreden. Als dit apparaat schadelijke storing veroorzaakt aan de ontvangst van radio of televisie, hetgeen kan worden vastgesteld door het apparaat aan en uit te zetten, wordt de gebruiker aangeraden, te proberen deze storing te verhelpen door één of meerdere van de volgende maatregelen te nemen:
- Heroriënteer of verplaats de ontvangstantenne.
  - Vergroot de afstand tussen de apparatuur en de ontvanger.
  - Sluit de apparatuur aan op een stopcontact van een ander circuit dan dat waarop de ontvanger is aangesloten.
  - Raadpleeg de leverancier of een ervaren radio/tv-technicus voor hulp.

|  |   |
|--|---|
|    | Waarschuwing  |
|   | Draag een veiligheidsbril   |
|   | Draag oorbescherming  |
|   | Draag een stofmasker  |
|   | Zorg dat uw handen niet geklemd raken   |
|   | Draag beschermende handschoenen   |
|   | Niet verbranden.  |
|   | Accu's kunnen in de waterkringloop terecht komen als ze op onjuiste wijze worden weggegooid, wat gevaarlijk kan zijn voor het ecosysteem. Gooi afgedankte accu's niet weg bij het ongesorteerde huishoudelijke afval  |
| <br>Li-Ion<br> | Li-Ion-accu Dit product is uitgerust met een symbool dat 'gescheiden inzameling' aanduidt voor alle accu's. Ze worden dan gerecycled of gedemonteerd om de impact op het milieu te verminderen. Accu's kunnen gevaarlijk zijn voor het milieu en de menselijke gezondheid, omdat ze gevaarlijke stoffen bevatten. |
|   | Afgedankte elektrische producten mogen niet bij het normale huisafval terecht komen. Breng deze producten waar mogelijk naar een recyclecentrum bij u in de buurt. Vraag de verkoper of de gemeente informatie en advies over het recyclen van elektrische apparatuur.  |
|   | Verwijder de batterij voordat u instellingen, reparaties of onderhoud uitvoert.   |

## SYMBOLLEN



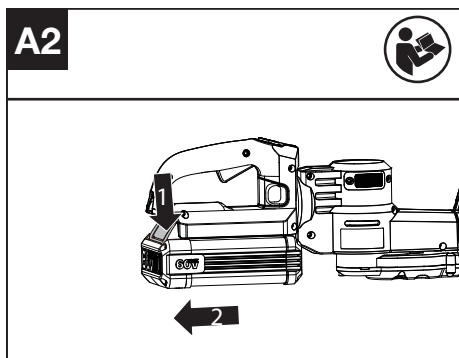
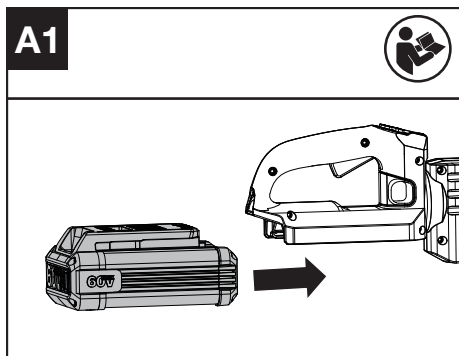
Lees de gebruikershandleiding om het risico op letsels te beperken

# ASSEMBLAGE EN BEDIENING

 **OPMERKING:** lees het instructieboekje aandachtig voor gebruik van het gereedschap.

 **VOOR GEBRUIK:**

Het accupack verwijderen of plaatsen (Zie Fig. A1,A2)

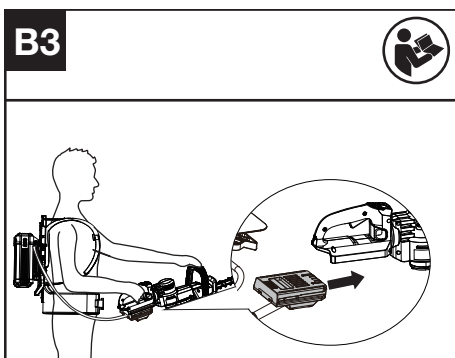
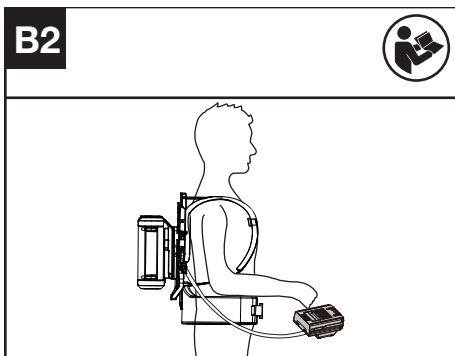


1. Schuif de accu in het accuvak totdat u een klik hoort.
2. Druk op de accu-ontgrendelingsknop om de accu uit uw gereedschap te halen.

## De heggenschaar met het rugzakharnas verbinden (Zie Fig. B1,B2,B3)

Installeer de accu in het rugzakharnas en steek de stekker vervolgens in de machine. Draag het rugzakharnas.

Meer details zijn te vinden in de handleiding van het rugzakharnas.



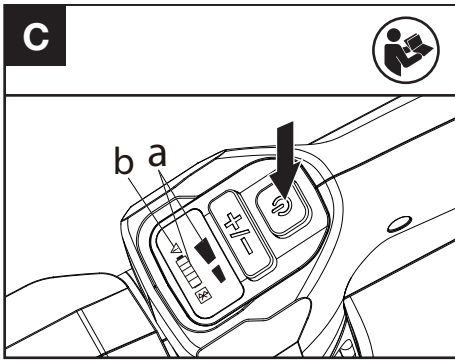
**Testen van de heggenschaar en de accu (Zie Fig. C)**

## Controle van de bedieningselementen Voorste en achterste schakelhendel

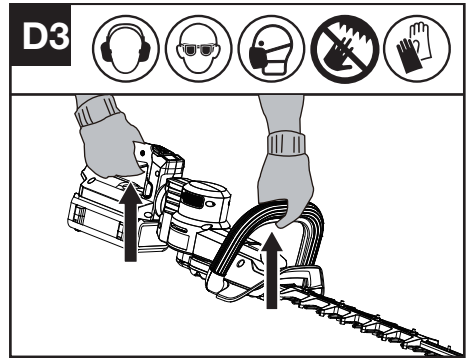
1. Verwijder de accu.
2. Druk de voorste en achterste schakelhendel in en laat ze vervolgens los. Als de voorste en achterste schakelhendel vast blijven zitten en niet terug kunnen veren naar de oorspronkelijke positie. Staak het gebruik van de heggenschaar en neem contact op met de onderhoudsmonteur.

## Het display controleren

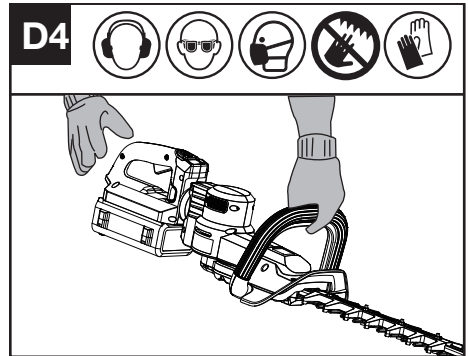
1. Plaats de accu.
2. Houd de aan/uit-schakelaar ingedrukt. Het apparaat is ingeschakeld wanneer de LED (a) brandt. Het apparaat is uitgeschakeld wanneer de LED (a) niet brandt.
3. Als het waarschuwingsslampje (b) oplicht of knippert, raadpleeg dan het hoofdstuk **Problemen oplossen** voor oplossingen.
4. Druk op de voorste schakelhendel en vervolgens op de achterste schakelhendel om de heggenschaar te starten.
5. Laat de achterste schakelhendel los. De heggenschaar stopt. Als de heggenschaar niet stopt, verwijder de accu en neem contact op met de onderhoudsmonteur.



Druk op de voorste schakelhendel en de achterste schakelhendel om te starten. (Zie Fig. D3)



Laat de voorste schakelhendel en de achterste schakelhendel los om te stoppen. (Zie Fig. D4)



Wanneer de machine niet wordt gebruikt, schakel de heggenschaar uit en ontkoppel het van het rugzakharnas.

### Draaibare achterste hendel (Zie Fig. E1, E2)

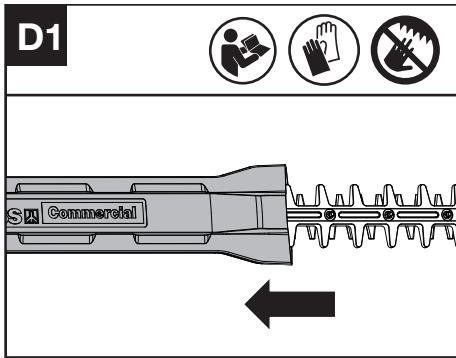
**OPMERKING:** Ontgrendel de vergrendelingsknop voor draaien. Na draaien van de hendel in de gewenste positie moet u doordrukken totdat u een klik hoort.

**!** **WAARSCHUWING:** Zorg er altijd voor dat de hendel vergrendeld is in de gewenste positie, voordat u het apparaat gaat gebruiken. Zorg er altijd voor dat de vergrendelingsknop vergrendeld is voordat u de heggenschaar gaat gebruiken. Draai de hendel niet als de trimmer gebruikt wordt.

## BEDIENING

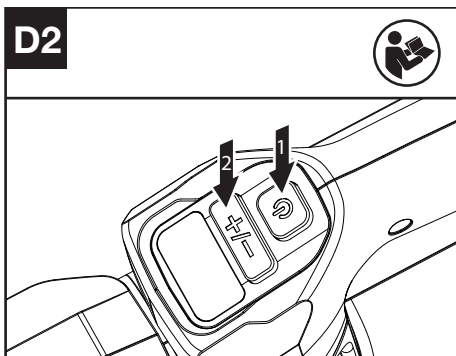
### Starten & Stoppen

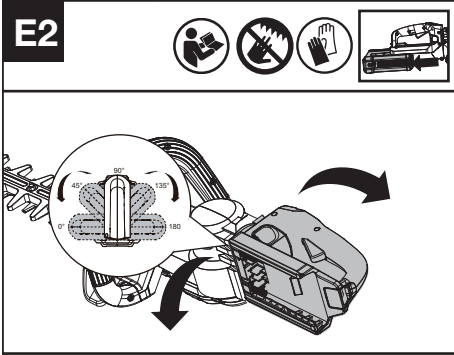
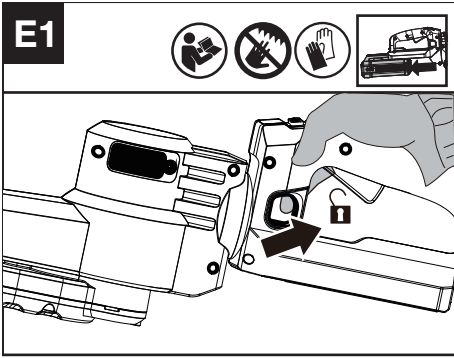
Verwijder voor gebruik eerst de snijbladhoes. (Zie Fig. D1)



### Snelheid kiezen

1. Druk op de aan/uit-schakelaar.
2. Druk op de snelheidsregelaar om de gewenste snelheid te kiezen. (Zie Fig. D2)





### De heggenschaar gebruiken

Voordat u een gebied snoeit, moet u het eerst inspecteren en vreemde objecten verwijderen die in de snijbladen kunnen vallen of verstrikken. Houd de heggenschaar altijd met beide handen vast en met het snijblad van u weg gericht voordat u het gereedschap inschakelt.

Wanneer u nieuwe bladeren snoeit, dient u een brede zwaaiende beweging te gebruiken, zodat de stammen direct in het mes terechtkomen.

Wacht tot de snijbladen hun volle snelheid hebben bereikt voordat u het snoeien start. Houd de snijbladen tijdens het gebruik weg van mensen en objecten zoals muren, grote stenen, bomen, voertuigen, enz.

Als de messen blijven hangen, dient u de heggenschaar onmiddellijk te stoppen. Haal de stekker uit het stopcontact en verwijder het blokkerende materiaal van het mes en repareer of vervang deze waar nodig.

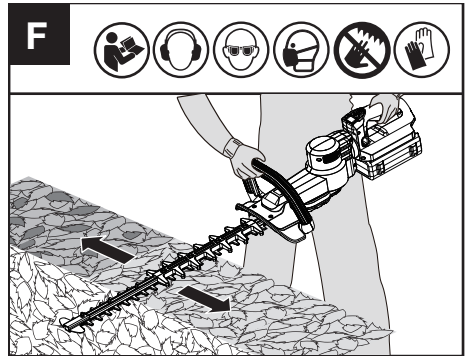
Draag handschoenen wanneer u planten met doorns snoeit.

Probeer geen stammen te snoeien die te dik zijn om tussen de messen te passen.

### De bovenkant snoeien (Zie Fig. F)

Snoei met een zwaaiende beweging. Het geeft het beste resultaat als u de messen iets naar beneden houdt in de richting van de beweging.

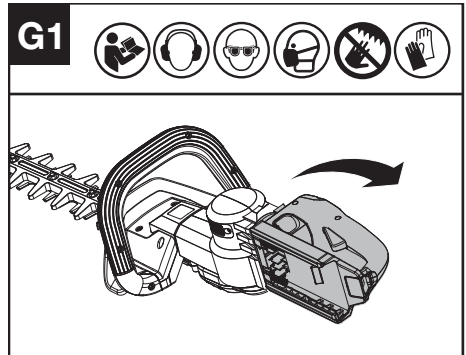
**!** **WAARSCHUWING:** Als er onderdelen ontbreken, beschadigd of defect zijn, gebruik uw heggenschaar dan niet, voordat alle beschadigde onderdelen vervangen of gerepareerd zijn. Als hieraan niet voldaan wordt, kan ernstig lichamelijk letsel het gevolg zijn. **GEBRUIK HET GEREEDSCHAP NIET ZONDER DAT DE BESCHERMKAP GEMONTEERD IS EN HANDVAT VOOR.**

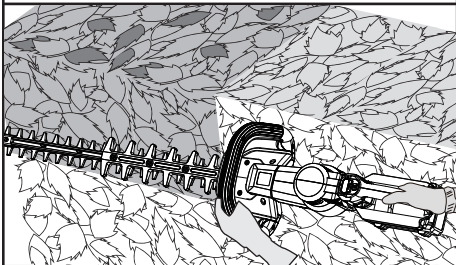


### De zijkant snoeien (Zie Fig. G1, G2)

Bij het snoeien van de zijkant van een heg, begint u onderaan en werkt u naar boven toe, terwijl u ervoor zorgt dat de heg een beetje spits toeloopt naarmate u hoger komt. Hierdoor wordt er meer van de heg zichtbaar en zal de begroeiing beter verdeeld zijn.

**!** **WAARSCHUWING:** Stop het gebruik van de trimmer, vóórdát u de hendel draait.



**G2**

## TRANSPORT

### Vervoer van de trimmer

1. Zet de trimmer uit en verwijder de batterij.
2. Wanneer u uw trimmer met de hand vervoert, houd dan het midden van de as met de maaikop naar achteren vast en zorg ervoor dat uw machine parallel met de grond is.
3. Wanneer u uw trimmer in een voertuig vervoert, zet hem dan vast en plaats deze zodanig dat beweging of beschadiging wordt voorkomen.

### Vervoer van de batterij

1. Zorg ervoor dat de batterij zich in een veilige staat bevindt.
2. Gebruik een niet-geleidende verpakking wanneer u de batterij vervoert.
3. De meegeleverde Li-Ion batterijen zijn gebonden aan de wetgeving voor gevaarlijke goederen. Vervoer de batterijen alleen als de omhulling van de batterij onbeschadigd is. Verpak de batterijen zodanig dat ze niet kunnen verschuiven in de verpakking.

## ONDERHOUD

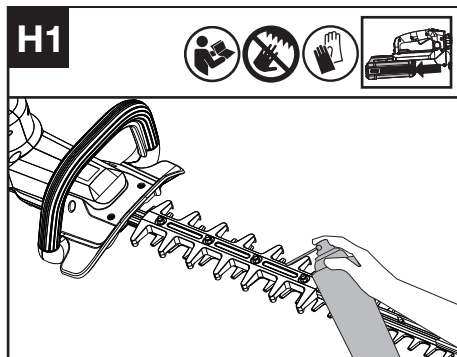
**WAARSCHUWING!** Verwijder de accu altijd alvorens onderhoudswerkzaamheden aan de heggenschaar worden uitgevoerd.

### Verwijder de batterij voordat u instellingen, reparaties of onderhoud uitvoert.

Dit gereedschap bevat geen onderdelen waaraan de gebruiker onderhoud kan of moet uitvoeren. Gebruik nooit water of chemische reinigingsmiddelen voor het schoonmaken van uw elektrische gereedschap. Veeg het schoon met een droge doek. Bewaar uw elektrische gereedschap altijd op een droge plek. Houd de ventilatiegloeuen van de motor schoon. Houd alle bedieningselementen vrij van stof.

### De messen smeren (Zie Fig. H1)

**OPMERKING:** Het is belangrijk om alleen de aanbevolen standaardsmearolie te gebruiken (WD-40), om schade aan het blad te voorkomen.

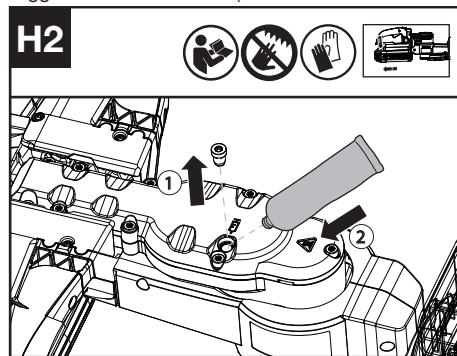


### De tandwielkast smeren (Zie Fig. H2)

Verwijder de afsluitschroef van de motorbehuizing. Smeer de tandwielkast via het oliegat na elke 50 werkingsuren.

Draai de schroeven uit de kap van de tandwielkast los en haal de kap vervolgens af. Smeer na elke 300 werkingsuren.

**OPMERKING:** Voor de beste werking en een langere levensduur, smeer de tandwielkast van de heggenschaar met smeer (SHELL Gadus S2 V220 1).

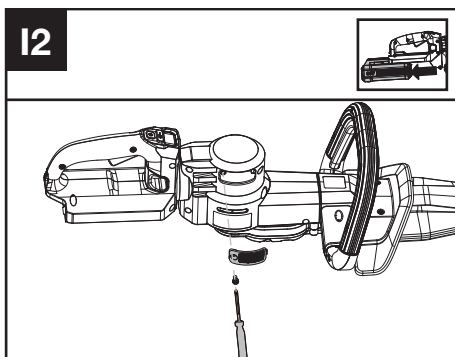
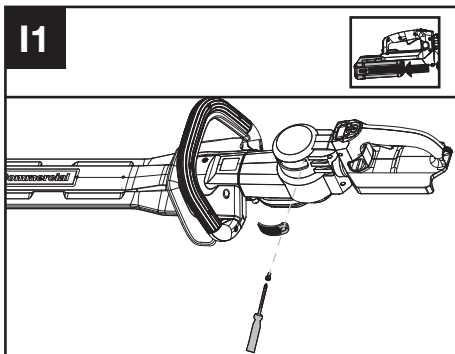


### SLIJPEN

**WAARSCHUWING:** Gebruik uw machine niet met stompe of beschadigde snijbladen, dit zal tot overbelasting en slechte prestaties leiden. Wanneer de snijprestaties afnemen, slijp het snijblad. Zodra de snijprestaties beginnen te verslechteren, moet u het mes opnieuw door een vakman laten slijpen. Draag altijd beschermende handschoenen bij het hanteren van het snijblad en slijp alleen de snijkant. Slijp alleen de snijrand. Schuur geen stompe uitstekende delen van het snijblad of de beschermkap. Verwijder eventuele braampjes van de snijrand met een wetsteen. Na het slijpen, verwijder het stof van het snijblad.

## Het luchtfilter reinigen (Zie Fig. 11, 12)

1. Maak het gedeelte rond het luchtfilter schoon.  
Gebruik een vochtige doek of een zachte borstel.
2. Schroef het luchtfilter los en verwijder deze.
3. Spoel het luchtfilter onder stromend water af om het vuil te verwijderen.
4. Laat het luchtfilter aan de lucht drogen. En monteer deze vervolgens weer in de behuizing door de schroef aan te draaien.



## REINIGING

1. Zet de trimmer uit en verwijder de accu.
2. Gebruik geen agressieve schoonmaakmiddelen of oplosmiddelen. Reinig de machine na gebruik met een vochtige doek, die in een neutraal schoonmaakmiddel is gedompeld.
3. Houd de accuaansluiting vrij van vuil en puin en reinig deze met een zachte en droge borstel of doek.
4. Sproei geen water op de motor en elektrische componenten.
5. Gebruik geen hogedrukreiniger om uw machine te reinigen.

## OPSLAG

1. Verwijder het accupack uit de heggenschaar voordat u het opbergt.

2. Bewaar de heggenschaar en accu op een droge en veilige plaats die ontoegankelijk is voor kinderen en andere onbevoegden.
3. Bewaar de accu alleen binnen een temperatuurbereik tussen 41 °F (5 °C) en 77 °F (25 °C). Laat de accu bijvoorbeeld in de zomer niet in de auto liggen.
4. Als de machine en de accu tijdens het gebruik nat zijn geworden in de regen, moeten ze worden gedroogd voordat ze worden opgeborgen of opgeladen. Verwijder de accu en plaats deze opnieuw als de machine niet inschakelt.

## VOOR GEREEDSCHAP MET ACCU'S

De aanbevolen omgevingstemperatuur voor het ontladen is -20°C~45°C (-4°F~113°F).

De aanbevolen omgevingstemperatuur voor het laadsysteem tijdens het opladen ligt tussen -5°C (23°F) en 45°C (113°F).

## PROBLEMEN OPLOSSEN

De volgende tabel toont problemen en handelingen die u kunt uitvoeren als de machine niet goed werkt.

**⚠ Waarschuwing: schakel de machine uit en verwijder de batterij voordat u aan het werk gaat om een probleem op te lossen.**

### TRIMMER

| Problemen                            | Mogelijke oorzaken:               | Corrigerende actie   |
|--------------------------------------|-----------------------------------|--|
| De LED van de batterij knippert      | Zwakke batterijspanning           | Laad de batterij op.   |
| De LED van de batterij knippert rood | Overbelasting.                    | De maaikop is vastgelopen Schakel het apparaat uit. Verwijder de batterij. Verwijder ongewenst materiaal van de maaikop. |
|                                      | Temperatuurprobleem.              | Laat het apparaat afkoelen.  |
|                                      | Andere problemen                  | Neem contact op met de servicevertegenwoordiger  |
| Apparaat start niet                  | Vuil in de batterijaansluitingen. | Reinig de batterijaansluitingen met perslucht of een zachte borstel.   |
|                                      | Andere problemen                  | Neem contact op met de servicevertegenwoordiger.   |


|                               |   |  |
|-------------------------------|---|--|
| De trimmer werkt onregelmatig | De batterij is niet goed in de machine geplaatst. | Plaats de batterij goed.   |
|                               | Mogelijk een elektrisch probleem.                 | Neem contact op met de servicevertegenwoordiger                      |
| Overmatige trillingen/lawaai. | Probleem met de maaikop Machine defect.           | Vervang de maaikop. Neem contact op met de servicevertegenwoordiger. |

## BATTERIJ

| Problemen          | Mogelijke oorzaken   | Corrigerende actie   |
|--------------------|----------------------|--|
| De fout-LED brandt | De batterij is leeg  | Laad de batterij op. Neem contact op met uw servicevertegenwoordiger als de batterij niet wordt opgeladen.   |
|                    | Temperatuurprobleem. | Gebruik de batterij in een omgeving met temperaturen tussen -5°C en 45°C (23°F tot 113°F) voor het opladen; -20°C tot 45°C (-4°F tot 113°F) voor het ontladen. |
|                    | Overige              | Neem contact op met de servicevertegenwoordiger.   |

## TECHNISCHE GEGEVENS

Type Designation: **KC201 KC201.X (201-aanduiding van machines, representatief voor snoerloze heggenschaar)**

|                            | <b>KC201 KC201.X**</b>   |
|----------------------------|--|
| Spanning                   | 60 V  MAX *** |
| Snijnelheid                | 4400/5000 SPM  |
| Lengte van snijblad        | 63 cm (25")  |
| Tandafstand                | 30 mm (1.18 inch)  |
| Beschermingsgraad          | IPX4   |
| Gewicht (Kaal gereedschap) | 3.8 kg (8.3 lbs)   |

\*\* X = 1-999, A-Z, M1-M9 zijn alleen voor verschillende klanten, er zijn geen veiligheidsgerelateerde wijzigingen tussen deze modellen.

\*\*\* Voltage gemeten zonder belasting. De initiële accuspanning bereikt maximaal 60 volt. De nominale spanning bedraagt 54 volt.

## AANBEVOLEN BATTERIJEN EN LADERS

| Accupack                 | Hoedanigheid | Lader  | Amperage |
|--------------------------|--------------|--------|----------|
| KAC800                   | 4 Ah         | KAC840 | 30 A     |
| KAC810 (Met rugzakhamas) | 11 Ah        |        |          |
| KA3000                   | 2.0 Ah       |        |          |

We raden u aan uw accessoires te kopen bij dezelfde dealer die u het gereedschap heeft verkocht. Zie de verpakking van de accessoires voor meer informatie. Uw dealer kan u helpen en advies geven.

## TECHNISCHE GEGEVENS VOOR ACCUPACK (OPTIONEEL)

|  |                 |
|--|-----------------|
| Frequentiebanden voor Bluetooth              | 2400-2483.5 MHz |
| Maximaal uitgezonden vermogen voor Bluetooth | 8 dBm           |

## GELUIDSPRODUCTIE

|                            |                                |
|----------------------------|--------------------------------|
| A- gewogen geluidsdruk     | $L_{pA} = 87.48 \text{ dB(A)}$ |
| $K_{pA}$                   | 3.0 dB(A)                      |
| A- gewogen geluidsvermogen | $L_{WA} = 95.48 \text{ dB(A)}$ |
| $K_{WA}$                   | 0.97 dB(A)                     |

Draag oorbescherming



## TRILLINGSGEGEVENS

Totale trillingswaarden (triax vector-som) volgens EN 62841:

|                         |  |
|-------------------------|--|
| Gewogen trillingswaarde | Achterkant: $a_h = 2.42 \text{ m/s}^2$<br>Voorkant: $a_h = 2.50 \text{ m/s}^2$ |
|                         | Achterkant: $K = 1.5 \text{ m/s}^2$<br>Voorkant: $K = 1.5 \text{ m/s}^2$       |
| Onzekerheid             |  |

De totale waarde van trillingen en geluidsemissie werden gemeten volgens een standaard testmethode en kunnen worden gebruikt om gereedschappen te vergelijken.

De totale waarde van trillingen en geluidsemissie kunnen ook voor een voorlopige beoordeling van de blootstelling worden gebruikt.

 **WAARSCHUWING:** Trillingen en geluidsemissie die tijdens het gebruik van het gereedschap

optreden, kunnen verschillen van de opgegeven waarde, dit is afhankelijk van de manier waarop het gereedschap wordt gebruikt, met name van het werkstuk dat wordt bewerkt, afhankelijk van de volgende voorbeelden en andere variaties in de manier waarop het gereedschap wordt gebruikt: Hoe de machine gebruikt wordt en hoe het materiaal gesneden of geboord wordt.

De conditie en de onderhoudstoestand van de machine.

Gebruik van de juiste toebehoren. Zorg ervoor dat ze scherp zijn en in goede conditie.

Hoe stevig de handgreep wordt vastgehouden en of er anti-trilling en -geluidsaccessoires worden gebruikt.

De machine moet gebruik worden zoals door de ontwerper bedoeld is en in overeenstemming met deze instructies.

**Deze machine kan een trillingssyndroom in hand en arm veroorzaken als hij niet op de juiste wijze gehanteerd wordt.**

**⚠ WAARSCHUWING:** Voor de nauwkeurigheid moet bij een schatting van het blootstellingsniveau in de feitelijke gebruiksomstandigheden rekening worden gehouden met alle delen van de bewerking, zoals het moment dat de machine wordt uitgeschakeld en de tijden waarop de machine loopt zonder daadwerkelijk gebruikt te worden. Dit kan het blootstellingsniveau over de totale werkperiode aanzienlijk verminderen.

Het risico op blootstelling aan trillingen en geluid verminderen.

Gebruik **ALTIJD** scherpe beitels, boren en zaagbladen.

Onderhoud de machine volgens deze instructies en houd hem goed gesmeerd (voor zover van toepassing).

Als het gereedschap regelmatig wordt gebruikt, investeer dan in anti-trilling en -geluidsaccessoires. Plan de werkzaamheden zodat de taken met veel trillingen over een aantal dagen verspreid worden.

## BESCHERMING VAN HET MILIEU

 Afgedankte elektrische producten kunt u niet met het normale huisafval weggooien. Breng deze producten, indien mogelijk, naar een recyclecentrum bij u in de buurt. Vraag de verkoper of de gemeente naar informatie en advies over het recyclen van elektrische producten.

## CONFORMITEITVERKLARING

WIJ,

Positec Germany GmbH

Postfach 680194, 50704 Cologne, Germany

Erklären im Namen von Positec, dass das Produkt Beschreibung **Accu-heggenschaar**  
Typ **KC201 KC201.X (201-aanduiding van machines, representatief voor snoerloze heggenschaar)**

Functie **Snoeien van hekken en struiken**

Voldoet aan de volgende richtlijnen:

**2006/42/EC, 2014/30/EU, 2011/65/EU&(EU)2015/863, 2000/14/EC gewijzigd door 2005/88/EC**

2000/14/EC gewijzigd door 2005/88/EC:

- Procedure beoordeling conformiteit volgens Annex V

- Niveau gemeten geluidsvermogen 95.48 dB (A)

- Opgegeven, gegarandeerde niveau geluidsvermogen 96.45 dB (A)

Standaards in overeenstemming met, **EN 62841-1, EN 62841-4-2, EN ISO 3744, EN IEC 55014-1, EN IEC 55014-2, EN IEC 63000**

De persoon die bevoegd is om het technische bestand te compileren,

**Name Marcel Filz**

**Address Positec Germany GmbH**

**Postfach 680194, 50704 Cologne, Germany**



2024/06/19

Allen Ding

Plaatsvervangend Chief Ingenieur, Testen en Certificering

Positec Technology (China) Co., Ltd

18, Dongwang Road, Suzhou Industrial Park, Jiangsu 215123, P. R. China

# TARTALOMJEGYZÉK

|                                 |     |
|---------------------------------|-----|
| Bevezető.....                   | 96  |
| Az alkatrészek listája.....     | 97  |
| Termékbiztonság.....            | 98  |
| Összeszerelés és használat..... | 102 |
| Szállítás.....                  | 105 |
| Karbantartás.....               | 105 |
| Tisztítás.....                  | 106 |
| Tárolás.....                    | 107 |
| Hibaelhárítás.....              | 107 |
| Műszaki adatok.....             | 108 |
| <b>HU</b> Környezetvédelem..... | 109 |
| Megfelelőséginyilatkozat.....   | 109 |

## BEVEZETŐ

Tisztelt Vásárló!

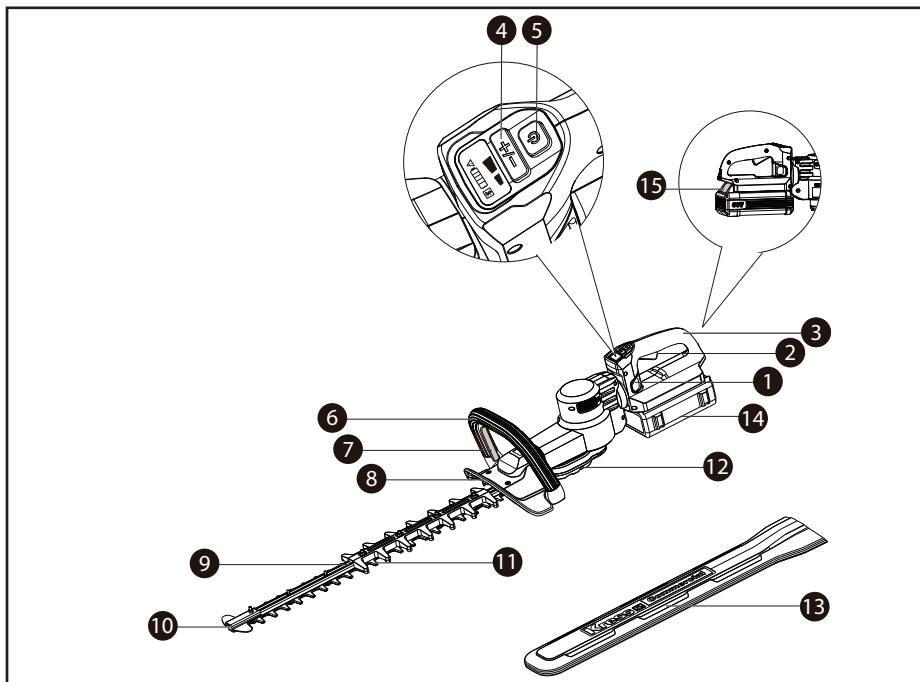
Köszönjük, hogy megvásárolta ezt a Kress Commercial terméket. Elkötelezettek vagyunk az Ön ipari tájépítészeti igényeinek megfelelő, kiváló minőségű termékek kifejlesztése iránt.

A Kress márka egyet jelent a prémium minőségű szolgáltatással. A termék élettartama során, ha bármilyen kérdése vagy aggálya merülne fel a termékkel kapcsolatban, kérjük, forduljon kereskedőjéhez vagy ügyfélszolgálati csapatunkhoz segítségért.

Biztosak vagyunk benne, hogy hosszú éveken át élvezni fogja Kress termékének használatát.

## RENDELTETÉS

Ezt a gépet könnyű és nehéz körülmények közötti sövények és bokrok vágására és nyírására szánjuk.




## AZ ALKATRÉSZEK LISTÁJA

- |     |  |
|-----|--|
| 1.  | <b>RETESZELŐ KAPCSOLÓ A FORGÓ HÁTSÓ FOGANTYÚHOZ</b>        |
| 2.  | <b>MARKOLATI KIOLDÓGOMB</b>                                |
| 3.  | <b>ELFORGATHATÓ HÁTSÓ FOGANTYÚ</b>                         |
| 4.  | <b>SEBESSÉGSZABÁLYOZÓ GOMB</b>                             |
| 5.  | <b>BE/KIKAPCSOLÓ</b>                                       |
| 6.  | <b>ELÜLSŐ FOGANTYÚ</b>                                     |
| 7.  | <b>KÉZI VEZÉRLŐ KAPCSOLÓ (MINDENFÉLE KAPCSOLÓ FUNKCIÓ)</b> |
| 8.  | <b>VÉDŐPAJZS</b>   |
| 9.  | <b>KÉS</b>   |
| 10. | <b>HEGYVÉDŐ</b>  |
| 11. | <b>HÁTSÓ KÉSVÉDŐ</b>                                       |
| 12. | <b>FÉM HÁLÓZATI DOBOZ</b>                                  |
| 13. | <b>KÉSVÉDŐ TOK</b>   |
| 14. | <b>AKKUCSOMAG *</b>  |
| 15. | <b>AKKUMULÁTOR-KIOLDÓ GOMB</b>                             |

\* Nem minden gép tartalmazza az összes, a fentiekben felsorolt alkatrészt.

# EREDETI HASZNÁLATI UTASÍTÁS TERMÉKBIZTONSÁG ELEKTROMOS KÉZISZERSZÁMOK BIZTONSÁGOS HASZNÁLATÁVAL KAPCSOLATOS ÁLTALÁNOS FIGYELMEZTETÉSEK

 **FIGYELEM:** Olvassa el az összes, ehhez az elektromos kéziszerszámhoz mellékelt biztonsági figyelmeztetést, utasítást és részletes ismertetést, illetve tekintse meg az ábrákat. Az alább felsorolt utasítások bármelyikének figyelmen kívül hagyása áramütést, tüzet és/vagy súlyos testi sérüléseket eredményezhet.

**Őrizzen meg az összes figyelmeztetést és utasítást, a jövőben szüksége lehet ezekre.**

A figyelmeztetésekből használatos "elektromos kéziszerszám" kifejezés az ön hálózatról üzemeltetett (vezetékes) elektromos kéziszerszámára vagy akkumulátoros (vezeték nélküli) elektromos kéziszerszámára vonatkozik.

## 1) A munkaterület biztonsága

- a) **A munkaterületet tartsa tisztán és jól megvilágítva.** A zsúfolt vagy sötét munkaterület balesetveszélyhez vezethet.
- b) **Ne üzemeltessen elektromos kéziszerszámot robbanékony légkörben, például gyúlékony folyadékok, gázok vagy por jelenléte mellett.** Az elektromos kéziszerszámok használata során szikrák keletkeznek, amelyek hatására a por vagy gáz kigyulladhat.
- c) **Elektromos kéziszerszámok működtetése közben tartsa távol a gyermekeket és bámészködőket.**  
A figyelem elterelése kontrollvesztést eredményezhet.

## 2) Elektromos biztonság

- a) **Az elektromos kéziszerszámok csatlakozó dugaszának találnia kell a csatlakozó aljzathoz. Soha, semmilyen módon ne módosítsa a csatlakozó dugaszt.** Földelt elektromos kéziszerszámokkal ne használjon adaptert. Ha eredeti, módosíthatatlan csatlakozó dugaszt és megfelelő csatlakozó aljzatot használ, azzal csökkenti az áramütés kockázatát.
- b) **Ne érintse meg a földelt felületeket, például csöveket, radiátorokat,**

**tűzhelyeket vagy hűtőszekrényeket.** Ha a test földelt, nagyobb az áramütés kockázata.

- c) **Ne üzemeltesse a gépet esőben vagy nedves körülmények között. Ez növelheti az áramütés veszélyét.** Ha működés közben az eső miatt nedves lett, a gépet és az akkumulátort tárolás vagy töltés előtt meg kell szárítani. Vegye ki az akkumulátort, és helyezze vissza, ha a készülék nem kapcsol be. Tartsa az akkumulátor csatlakozóját szennyeződésektől és törmelékektől mentesen, és puha és száraz kefével vagy ruhával tisztítsa meg.
  - d) **Vigyázzon a szerszám kábelére. Soha ne hordozza, húzogassa vagy húzza ki az áramból az elektromos kéziszerszámot a kábelnél fogva. A kábelt tartsa távol a hőtől, olajtól, éles peremektől vagy mozgó részekről.** A sérült vagy összegubancolódott kábel növeli az áramütés kockázatát.
  - e) **Ha az elektromos kéziszerszámot szabadterben üzemelteti, használjon külső használatra alkalmas hosszabbítót.** A külső használatra alkalmas kábel használatával csökken az áramütés kockázata.
  - f) **Ha elkerülhetetlen, hogy az elektromos kéziszerszámot nedves helyen működtesse, használjon maradékáram-működtetésű megszakító (RCD) védelemmel rendelkező áramforrást.** A maradékáram-működtetésű megszakító használata csökkenti az áramütés kockázatát.
- ## 3) Személyi biztonság
- a) **Az elektromos kéziszerszám működtetése közben maradjon éber, figyeljen arra, amit csinál, és használja a józan eszét. Ne működtesse az elektromos kéziszerszámot fáradtan, illetve gyógyszerek, alkohol vagy drogok hatása alatt áll.** Egy pillanatnyi figyelmetlenség az elektromos kéziszerszámok működtetése közben súlyos sérülésekhez vezethet.
  - b) **Használjon személyi védőfelszereléseket. Mindig használjon szemvédelmet.** A személyi védőfelszerelés, például pormaszk, csúszásmentes biztonsági lábbeli, védősisak vagy szükség esetén hallásvédelem használatával csökkenthető a személyi sérülések kockázata.
  - c) **Kerülje el, hogy a szerszám véletlenül működésbe lépjen. Mielőtt az elektromos kéziszerszámot áramhoz csatlakoztatná, behelyezné az akkumulátort, felemelné vagy költöztetné a szerszámot, ellenőrizze hogy a kapcsoló a "ki" helyzetbe legyen állítva.** Ha a szerszám hordozásakor ujját a kapcsolón tartja, vagy áram alá helyezi

a bekapcsolt készüléket, az balesetekhez vezethet.

- d) Mielőtt az elektromos kéziszerszámot bekapcsolná, távolítson el róla minden állítókulcsot.** *Ha az elektromos kéziszerszám forgórészein állítókulcs marad, az személyi sérüléshez vezethet.*
- e) Ne próbáljon túl messzire nyúlni. Mindig vigyázzon, hogy stabilan álljon, és őrizze meg egyensúlyát.** *Ez segít, hogy váratlan helyzetekben uralja az elektromos kéziszerszámot.*
- f) Viseljen megfelelő öltözéket. Ne viseljen bő ruházatot vagy hosszú ékszer.** *Tartsa távol a haját és ruházatát a mozgó alkatrészekről. A bő ruházatot, hosszú ékszer vagy hosszú hajat bekapathatják a mozgó elemek.*
- g) Ha a szerszámoz porszívó vagy -gyűjtő is csatlakoztatható, gondoskodjon ezek megfelelő csatlakoztatásáról és használatáról.** *A porgyűjtő használatával csökkenthetőek a porral kapcsolatos kockázatok.*
- h) Ne hagyja, hogy a szerszám gyakori használata túl elbizakodottá tegye, és hogy ezáltal figyelmen kívül hagyja a szerszám biztonsági követelményeit.** *A másodperc töredéke is elég ahhoz, hogy egy figyelmetlen mozdulat súlyos sérüléshez vezessen.*
- 4) Az elektromos kéziszerszám használata és karbantartása**
- a) Ne erőltesse az elektromos kéziszerszámot. Mindig megfelelő elektromos kéziszerszámot használjon.** *Ha a megfelelő elektromos kéziszerszámot használja, azzal a rendeltetési területén jobban és biztonságosabban elvégezhető a munka.*
- b) Ne használja az elektromos kéziszerszámot, ha azt nem lehet kikapcsolni.** *Ha egy elektromos kéziszerszám nem szabályozható a kapcsolóval, az veszélyes, és javításra szorul.*
- c) Húzza ki a csatlakozó dugaszt az áramellátást biztosító aljzatból, és/vagy távolítsa el a kivehető akkucsomagot a szerszámból, ha beállításokat vagy tartozékcsere-t hajt végre, vagy ha a szerszámot elraktározza.** *Ezzel a megelőző biztonsági intézkedésekkel csökken annak a kockázata, hogy a kéziszerszám véletlenül bekapcsoljon.*
- d) Az elektromos kéziszerszámokat használaton kívül tartsa a gyermekektől távol, és ne hagyja, hogy a szerszámot vagy ezeket az utasításokat nem ismerő személyek működtessék azt.** *A tapasztalatlan felhasználók kezében az elektromos kéziszerszámok veszélyessé válnak.*
- e) Az elektromos kéziszerszámok és tartozékaik karbantartása. Ellenőrizze, hogy a mozgó elemek megfelelően helyezkednek-e el és nem szorultak-e be, az alkatrészek épek, és semmilyen más hiba nincs kihatással az elektromos kéziszerszám működésére. Ha sérülést talál, használat előtt javíttassa meg a szerszámot.** *A nem megfelelően karbantartott elektromos kéziszerszámok sok balesetet okoznak.*
- f) A vágószerszámokat tartsa tisztán, és figyeljen, hogy élesek maradjanak.** *A megfelelően karbantartott, éles vágószerszámok ritkábban akadnak meg, és egyszerűbben irányíthatóak.*
- g) Az elektromos kéziszerszámot, a kiegészítőket és fejeket használja a fenti utasításoknak megfelelően, figyelembe véve a munkakörülményeket és az elvégzendő munkát.** *Ha az elektromos kéziszerszámot nem rendeltetésszerűen használja, az veszélyhelyzetet teremthet.*
- h) Őrizze szárazon, tisztán, olaj- és zsírmentesen a szerszám fogantyúit és megragadási részeit.** *A csúszos fogantyúk és megragadási részek főleg váratlan helyzetekben akadályozzák a szerszám biztonságos megfogását, kezelését és irányítását.*
- 5) Az akkumulátoros kéziszerszám használata és karbantartása**
- a) Csak a gyártó által javasolt töltővel tölts fel.** *Ha egy adott akkumulátorhoz megfelelő töltőt másik akkumulátorral használ, az tűzveszélyes lehet.*
- b) Az elektromos kéziszerszámokat csak a kijelölt akkumulátorokkal használja.** *Ha más akkumulátorokat használ, az sérülés- és tűzveszélyes.*
- c) Az akkumulátorokat használaton kívül tartsa a fémtárgyaktól, például gémkapcsoktól, pénzérméktől, kulcsoktól, szögektől, csavaroktól vagy más kis fémtárgyaktól távol, mert ezek összekapcsolhatják a pólusokat.** *Az akkumulátor pólusainak rövidzárlata égés- és tűzveszélyes.*
- d) Nem megfelelő körülmények között az akkumulátorból folyadék szivároghat; kerülje az érintkezést ezzel a folyadékkal. Véletlen érintkezés esetén mossa le a vízzel. Ha a folyadék szembe kerül, mossa ki vízzel, és forduljon orvoshoz.** *Az akkumulátorból szivárgó folyadék irritációt vagy égési sérülést okozhat.*
- e) Ne használjon károsodott vagy módosított akkucsomagot vagy szerszámot.** *A károsodott vagy módosított akkucsomagok használatá előreláthatatlan következményekkel jár, mert ezek felgyulladhatnak, felrobbanhatnak vagy személyi*

sérüléseket okozhatnak.

- f) **Övja az akkucsomagot és a szerszámot a tűztől vagy a magas hőmérsékletektől.** A 130°C-t meghaladó hőmérséklet vagy tűz robbanást okozhat.
- g) **Tartsa be az összes újratöltési utasítást és az akkucsomagot vagy a szerszámot csak az utasításokban megadott hőmérsékleti tartományban töltsé újra.** Az előírásoktól vagy a megengedett hőmérsékleti tartománytól eltérő töltési folyamat az akkucsomag károsodását okozhatja, és növeli a tűzveszély kockázatát.

## 6) Szerviz

- a) **Az elektromos kéziszerszámot csak képzett szerelő javíthatja megfelelő cserealkatrészekkel.** Ez biztosítja az elektromos kéziszerszám biztonságos működését.
- b) **Soha ne szervizelje a károsodott akkucsomagokat.** A károsodott akkucsomagok szervizelését csak a gyártó vagy az erre felhatalmazott szervizközpontok hajthatják végre.

# KIEGÉSZÍTŐ BIZTONSÁGI SZABÁLYOK:

- a) **Ne használja a sövényvágót rossz időjárási körülmények között, különösen villámlás veszélye esetén.** Ez csökkenti a villámcsapás kockázatát.
- b) **Minden tápkábelt és kábelt tartson távol a vágási területtől.** A tápkábelek vagy kábelek rejtve lehetnek a sövényekben vagy bokrokban, és véletlenül elvághatja azokat a késsel.
- c) **Viseljen fülvédőt.** Az megfelelő védőfelszerelés csökkenti a halláskárosodás kockázatát.
- d) **Ha fennáll a veszély, hogy a vágótartozék rejtett vezetékeket érint, az elektromos kéziszerszámot tartsa szigetelt tapadófelület mellett.** Ha a vágótartozék feszültség alatt álló vezetéket érint, az elektromos kéziszerszám külső fémalkatrészei feszültség alá kerülhetnek, aminek hatására a szerszám működtetője áramütést szenvedhet.
- e) **Vigyázzon, hogy minden testrészét távol tartsa a késtől.** Ha a kés mozgásban van, ne próbálja meg kivenni a levágott anyagot, és ne tartsa meg a vágandó anyagot. A kések a kapcsoló kikapcsolása után tovább mozognak. Egy pillanatnyi figyelmetlenség a sövényvágó működtetése közben súlyos sérülésekhez vezethet.
- f) **Az elakadt anyagok eltávolítása vagy az eszköz karbantartása előtt**

**győződjön meg arról, hogy az összes hálózati kapcsoló ki van-e kapcsolva, és az akkumulátort eltávolították vagy kihúzták-e.** A sövényvágó váratlan működtetése az elakadt anyag eltávolítása vagy szervizelése során súlyos személyi sérülést okozhat.

- g) **Hordozáskor a sövényvágót a markolatnál fogja, és várja meg, hogy a kés mozgása leálljon és ügyeljen arra, hogy ne kapcsolja be a hálózati kapcsolót.** A sövényvágó megfelelő kezelésével csökken a vágóél okozta személyi sérülések esélye.
- h) **A sövényvágó szállítása vagy tárolása során mindig használja a késvédőt.** A sövényvágó megfelelő kezelése csökkenti a kések által okozott személyi sérülés kockázatát.
- i) **Ellenőrizze, hogy nem akadtak-e be idegen tárgyak, például drótkerítés és rejtett vezeték.**
- j) **Tartsa megfelelően a sövényvágót, pl. két kézzel, ha két fogantyú van.**
- k) **A sövényvágót a kezelő a talaj szintjén használja, nem pedig létrán vagy más instabil támaszon.**
- l) **A sövényvágó használata előtt a kezelőnek meg kell győződnie arról, hogy az esetleges mozgó elemek (pl. a meghosszabbított tengely és az elfordítható elem) zárszerkezetei, bezárt állapotban vannak-e.**
- m) **Rendszeres időközönként végezze el az állítható leállító szerkezetek karbantartását.**
- n) **Ne emelje vagy ne vigye a sövényvágót egy fogantyúval.**

# AZ AKKUMULÁTORRAL KAPCSOLATOS BIZTONSÁGI FIGYELMEZTETÉSEK

- a) **Az akkumulátort ne szedje szét, ne nyissa fel és ne vágja meg.**
- b) **Ne zárja rövidre az akkumulátort. Az akkumulátorokat ne tárolja olyan dobozban vagy fiókban, ahol rövidre zárhatják egymást, vagy valamilyen vezető anyag a rövidzárlatukat okozhatja. Az akkumulátorokat használaton kívül tartsa a fémtárgyaktól, például gemkapcsoktól, pénzérméktől, kulcsoktól, szögektől, csavaroktól vagy más kis fémtárgyaktól távol, mert ezek összekapcsolhatják a pólusokat. Az akkumulátor pólusainak rövidzárlata égés- és tűzveszélyes.**
- c) **Ne tegye ki hónek vagy tűznek az akkumulátort. Ne tárolja közvetlen**

**napfényben.**

- d) Az akkumulátort ne tegye ki ütésnek.**  
**e) Ha az akkumulátor szivárog, vigyázzon, hogy a folyadék ne kerüljön a bőrre vagy szembe. Amennyiben a bőrre vagy szembe kerül, az érintett területet mossa le bő vízzel, és forduljon orvoshoz.**  
**f) Vigyázzon, hogy az akkumulátor tiszta és száraz maradjon.**  
**g) Ha az akkumulátor pólusaira szennyeződés kerül, azt egy tiszta, száraz ruhával törölje le.**  
**h) Az akkumulátort használat előtt fel kell tölteni. A töltést mindig az utasításoknak megfelelően, helyes eljárást használva végezze.**  
**i) Használaton kívül ne hagyja töltőn az akkumulátort.**  
**j) Hosszan tartó tárolást követően a maximális teljesítmény elérése érdekében szükséges lehet, hogy az akkumulátort többször feltöltse és lemerítse.**  
**k) Csak a Kress által javasolt töltővel töltsse fel. Kizárólag a készülékhez való használatra mellékelt töltőt használja.**  
**l) Ne használjon a készülékkel való használatra tervezettől eltérő akkumulátort.**  
**m) Az akkumulátor gyermekektől távol tartandó.**  
**n) Őrizze meg a termékhez mellékelt utasításokat, a későbbiekben szüksége lehet ezekre.**  
**o) Amikor a szerszámot nem használja, vegye ki belőle az akkumulátort.**  
**p) Ártalmatlanításnál megfelelően járjon el.**  
**q) Ne helyezzen be különböző gyártóktól származó, illetve eltérő kapacitású, méretű vagy típusú akkukat a készülékbe.**  
**r) Tartsa távol az akkumulátort mikrohullámoktól és nagy nyomástól.**  
**s) Figyelem! Ne használjon nem újratölthető elemeket.**

## **A VEZETÉK NÉLKÜLI TERMÉKRE VONATKOZÓ FELHASZNÁLÓI KÉZIKÖNYV ELŐÍRÁSAI**

- a) A készülék működtetése a következő két feltételhez van kötve:  
(1) Ez a készülék nem okozhat káros interferenciát, és  
(2) a készüléknek el kell viselnie minden külső



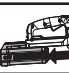
interferenciát, beleértve azt is, amely nem szándékoltt működést okozhat.

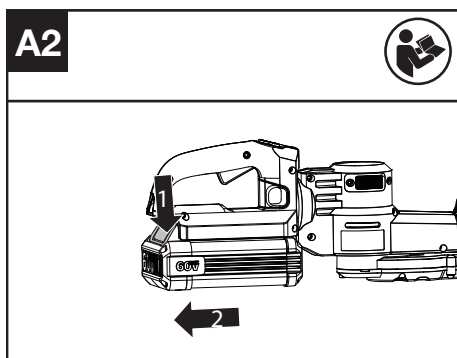
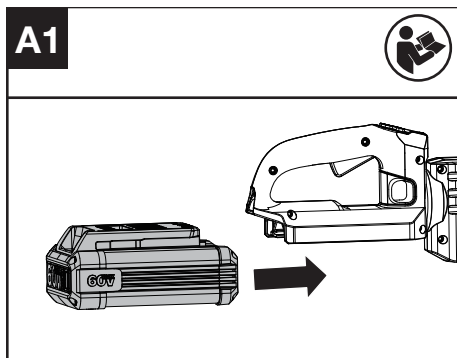
- b) Vigyázat! A készülék megfelelőségért felelős fél által kifejezetten nem jóváhagyott módosításai és változtatásai érvényteleníthetik a felhasználónak a készülék használatára vonatkozó jogát.
- c) **MEGJEGYZÉS:** A berendezés rádiófrekvenciás energiát állít elő, használ és sugároz, ami, ha a készüléket nem az utasításoknak megfelelően használják, zavarhatja a rádiós kommunikációt. Nem garantálható ugyanakkor, hogy egy adott alkalmazás során nem lép fel interferencia. Amennyiben ez a készülék zavaró interferenciát okoz a rádió- vagy televízióműsorok vételében, amit a készülék ki- és bekapcsolásával lehet megállapítani, arra kérjük a készülék használatát, hogy próbálja meg kiküszöbölni az interferenciát a következő megoldások egyikével:
- Változtassa meg a vevőantenna irányát vagy helyét.
  - Növelje a távolságot a berendezés és a vevőkészülék között.
  - Csatlakoztassa a készüléket egy olyan konnektortba, amelyik másik áramkörön van, mint amelyekre a vevőkészülék csatlakoztatva van.
  - Forduljon segítségért a márkakereskedőhöz vagy egy tapasztalt rádió-/TV-szerelőhöz.

HU

## **SZIMBÓLUMOK**

|   |  |
|---|--|
|    | A sérülésveszély csökkentése érdekében a felhasználónak el kell olvasnia az utasításokat |
|   | Figyelmeztetés   |
|  | Viseljen védőszemüveget!   |
|  | Viseljen hallásvédőt!  |
|  | Viseljen porvédő maszkot!  |
|  | Tartsa távol a kezét a pengétől  |

|  |  |
|--|--|
|   | Viseljen védőkesztyűt  |
|    | Ne dobja tűzbe.  |
|    | Az akkumulátor nem megfelelő leselejtezés esetén bekerülhet a víz körforgásba, ami veszélyes lehet az ökoszisztémára nézve. A hulladék akkumulátort ne dobja a kommunális hulladékba.  |
| <br>Li-Ion<br> | Lítium-ion akkumulátor. A terméken található szimbólum arra utal, hogy minden akkumulátorcsomagot külön kell gyűjteni. Ezeket aztán újrahasznosítani vagy szétszerelni, hogy csökkentsék a környezetre gyakorolt hatását. Az akkumulátorcsomag veszélyes lehet a környezetre és az emberi egészségre nézve, mivel veszélyes anyagokat tartalmaz. |
|    | A leselejtezett elektromos készülékek nem dobhatók ki a háztartási hulladékkal. Ha van a közelben elektromos hulladék gyűjtő udvar, vigye oda a készüléket. Az újrahasznosítási lehetőségekről tájékozódjon a helyi hatóságoknál vagy a kereskedőnél.  |
|    | Bármilyen állítás, javítás vagy karbantartási művelet előtt vegye ki az akkumulátort a sövényvágóból.  |



1. Csúsztassa az akkumulátort a tartóba, amíg egy kattantást nem hall.
2. Nyomja meg az akkumulátor kioldógombját, hogy eltávolítsa az akkumulátort a szerszámgepből.

## ÖSSZESZERELÉS ÉS MŰKÖDÉS

 **MEGJEGYZÉS:** Mielőtt a szerszámot használná, olvassa el figyelmesen az utasításokat.

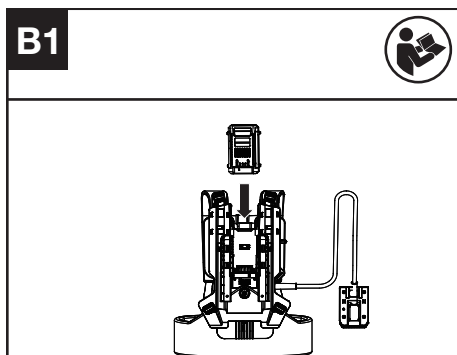
### MŰKÖDTETÉS ELŐTT:

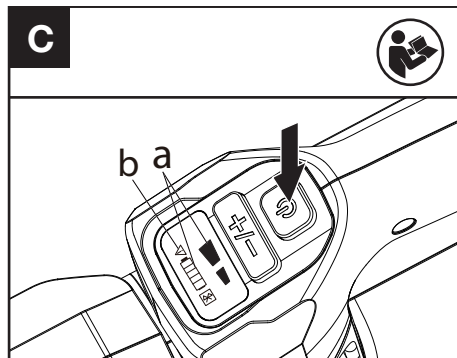
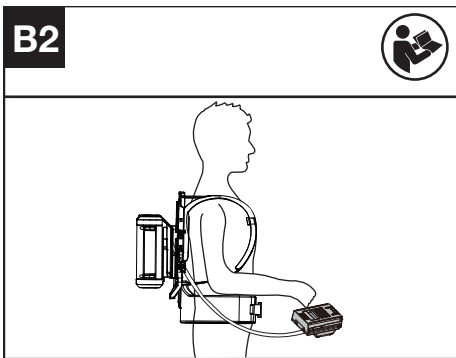
**Az Akkumulátor Eltávolítása Vagy Behelyezése (Lásd A1,A2 ábrát)**

### A sövényvágó csatlakoztatása a hátíhevederéhez (Lásd a B1,B2,B3 ábrákat)

Helyezze be az akkumulátort a hátíhevederébe, majd dugja be a csatlakozót a gépbe. Tegye fel a hátízsák hevederét.

További részletek a hátíheveder kézikönyvében találhatóak.

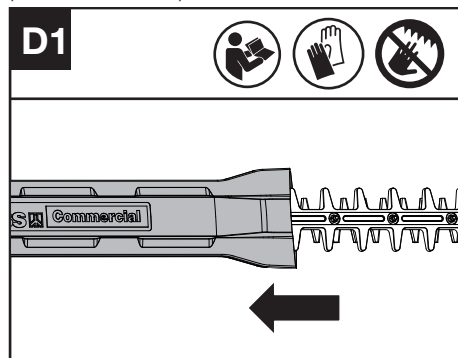
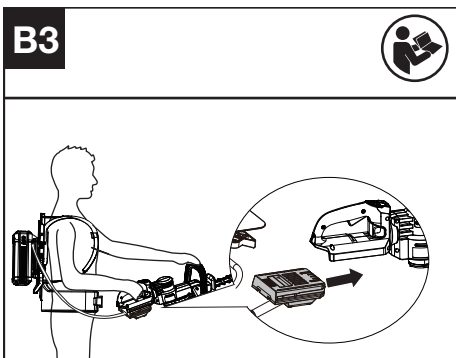




## MŰKÖDÉS

### Elindítás & Leállítás

Használat előtt először távolítsa el a késvédőt.  
(Lásd a D1 ábrákat)



### A sövénynyíró és az akkumulátor tesztelése (Lásd a C ábrákat)

#### A vezérlők ellenőrzése

##### Első kapcsolókar és hátsó kapcsolókar

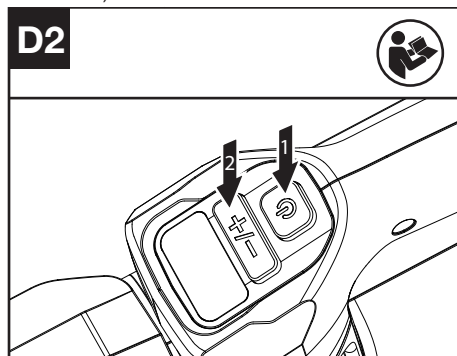
1. Távolítsa el az akkumulátort.
2. Nyomja meg és engedje el az első kapcsolókart és a hátsó kapcsolókart. Ha a hátsó kapcsolókar vagy az első kapcsolókar beragad, és nem tud visszarugózni az eredeti helyzetébe. Hagyja abba a sövénynyíró használatát, és forduljon a szervizhez.

#### A kijelző ellenőrzése

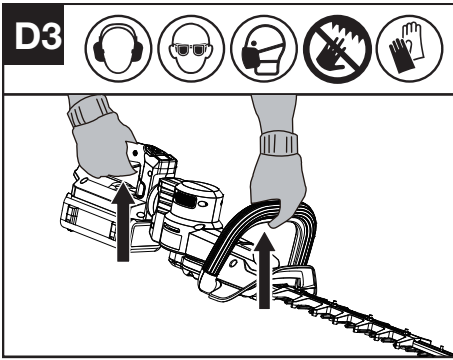
1. Helyezze be az akkumulátort.
2. Tartsa lenyomva és nyomja meg a be-/kikapcsolót.  
A termék akkor van bekapcsolva, ha a LED(a) világít.  
A termék akkor kapcsol ki, ha a LED(a) kialszik.
3. Ha a figyelmeztető jelző (b) világít vagy villog, a megoldásért lásd a Hibaelhárítás című részt.
4. Nyomja meg az előlő kapcsolókart, majd a gép indításához nyomja meg a hátsó kapcsolókart.
5. Engedje ki a hátsó kapcsolókart. A sövénynyíró leáll. Ha a sövénynyíró nem áll le, vegye ki az akkumulátort, és forduljon a szervizhez.

#### A sebesség kiválasztása

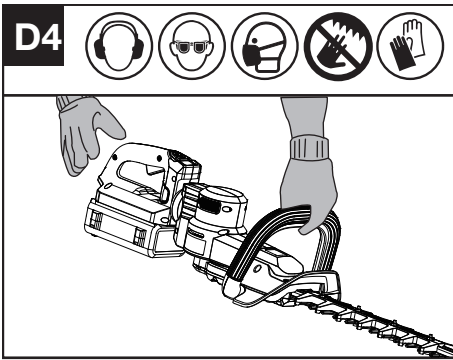
1. Nyomja meg a Be/Ki kapcsolót.
2. Nyomja meg a sebességszabályozó gombot a kívánt sebesség kiválasztásához. (Lásd a D2 ábrákat)



Az indításhoz nyomja meg az első kapcsolókart és a hátsó kapcsolókart. (Lásd a D3 ábrákat)



A megálláshoz engedje el a hátsó kapcsolókart és az előlő kapcsolókart. (Lásd a D4 ábrákat)



Ha a gépet nem használják, kapcsolja ki a sövényvágót, és válassza le a hátihevederről.

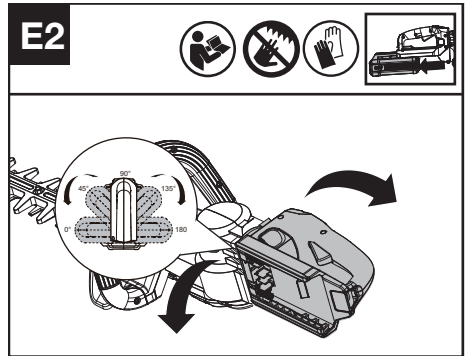
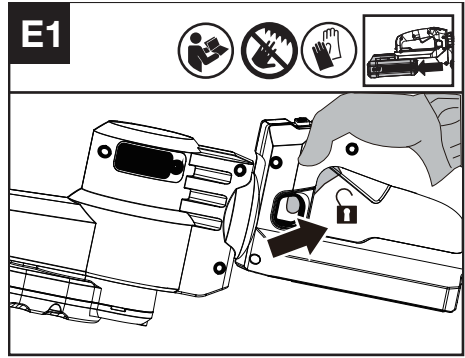
### Elforgatható hátsó fogantyú (Lásd a E1 és E2 ábrákat)

**MEGJEGYZÉS:** Oldja a reteszt a fogantyú elforgatása előtt. Miután a fogantyút a kívánt pozícióba állította, addig igazítson rajta, ameddig egy kattantást hall.



#### FIGYELMEZTETÉS:

A gép működtetése előtt mindig ellenőrizze, hogy a hátsó fogantyú a kívánt helyzetbe van-e rögzítve. A sövényvágó beindítása előtt mindig győződjön meg arról, hogy a rögzítő gomb a reteszelési pozícióban áll. Soha ne forgassa a fogantyút a kisgép használata közben.



### A sövényvágó használata

Mielőtt vágást végezne, ellenőrizze a vágási területet, és szedje ki az idegen tárgyakat, amelyeket a szerszám feldobhatna, vagy amelyek a kés mellé szorulhatnak. Bekapcsolás előtt a sövényvágót fogja meg mindkét kezével, és tartsa távol a többi testrészétől.

Friss ágak vágásakor széles, söprő mozdulatot használjon, hogy az ágak közvetlenül a kés útjába kerüljenek.

Mielőtt a vágást elkezdené, várja meg, hogy a kések elérjék a maximális sebességet. Működés közben tartsa távol a kést az emberektől és tárgyaktól, például falaktól, nagy kövektől, fáktól, járművektől, stb.

Ha a kés elakad, azonnal állítsa le a sövényvágót.

Mielőtt megpróbálná kiszedni a beszorult hulladékokat, engedje fel a két kapcsolókart

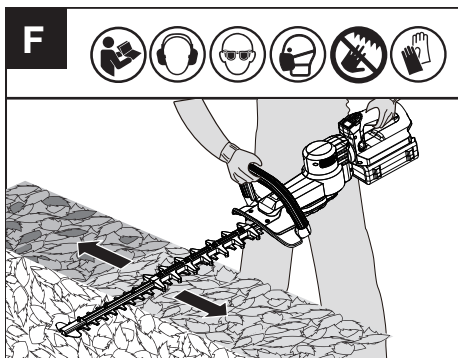
Tövises vagy szürös ágak vágásakor viseljen kesztyűt.

Ne próbáljon olyan ágakat vágni, amelyek túl vastagok a kések számára.

### Felső vágás (Lásd a F ábrát)

Használjon széles, söprő mozdulatot. A legjobb eredményt akkor éri el, ha a vágókést kicsit megdönti mozgásirányba.

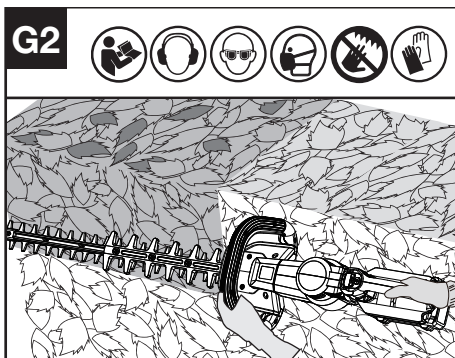
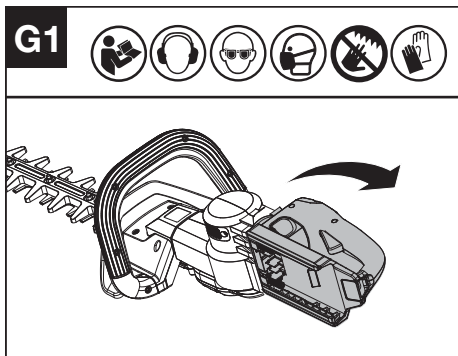
**!** **FIGYELMEZTETÉS:** Ha a gép valamelyik alkatrésze hiányzik, károsodott vagy eltört, a károsodott alkatrészek cseréje vagy megjavítása előtt ne működtesse a sövényvágót. Ezen intelmen figyelmen kívül hagyása súlyos testi sérülésekhez vezethet. **NE HASZNÁLJA A TERMÉKET A BIZTONSÁGI LAP ÉS AZ ELÜLSŐ MARKOLAT NÉLKÜL.**



### Oldalsó vágás (Lásd a G1 és G2 ábrákat)

Ha a sövény oldalát vágja, alulról felfele haladjon, fent befele kerekítve a sövény peremét. Így a sövény felülete nagyobb lesz, ami egyenletesebb növekedést eredményez.

**!** **FIGYELMEZTETÉS:** A fogantyú elfordítása előtt mindig állítsa le a sövényvágót.



## SZÁLLÍTÁS

### A nyírógépet szállítása

1. Kapcsolja ki a nyírógépet, és távolítsa el az akkumulátort.
2. Ha kézzel szállítja a nyírógépet, fogja meg a tengely közepét a nyírófejjel hátrafelé, és ellenőrizze, hogy a gép párhuzamos legyen a talajjal.
3. Ha a nyírógépet járműben szállítja, úgy rögzítse és helyezze el, hogy ne mozduljon el, és ne sérüljön meg.

### Az akkumulátor szállítása

1. Gondoskodjon arról, hogy az akkumulátor biztonságos állapotban legyen.
2. Az akkumulátor szállításakor olyan csomagolást használjon, amely nem vezeti az áramot.
3. A benne lévő Li-ion akkumulátorokra a veszélyes árukra vonatkozó jogszabályi követelmények vonatkoznak.  
Az akkumulátorokat csak akkor szállítsa, ha az akkumulátorház sértetlen. Az akkumulátorokat úgy csomagolja be, hogy ne tudjanak elmozdulni a csomagolásban.

## KARBANTARTÁS

**!** **FIGYELEM!** Mindig vegye ki az akkumulátort, mielőtt bármilyen karbantartást végezzen a sövénynyírón!

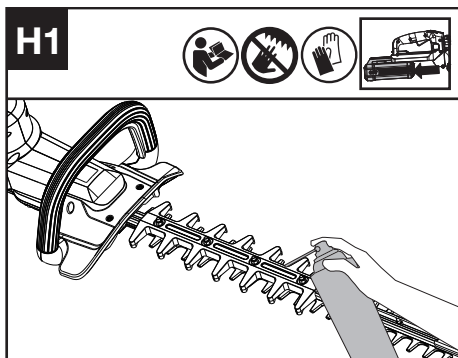
**Bármilyen állítás, javítás vagy karbantartási művelet előtt vegye ki az akkumulátort a sövényvágóból.**

A szerszám nem tartalmaz a felhasználó által javítható alkatrészeket. Soha ne használjon vizet vagy vegyi tisztítószeret a szerszám tisztításához. Törölje tisztára egy száraz ronggyal. A szerszámot mindig száraz helyen tárolja. Tartsa tisztán a motor szellőzőnyílásait. Minden szabályozóeszközt tartson pormentesen.

### A vágópenge kenése (Lásd a H1

## ábrát)

**MEGJEGYZÉS:** A vágóél károsodásának elkerüléséért fontos követelmény, hogy mindig az előírt standard kenőolajat használja (WD-40).

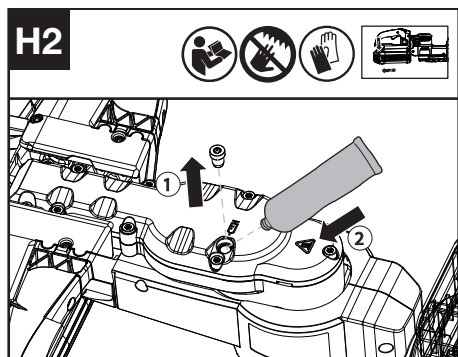


## A hálózati doboz kenőolajozása (Lásd a H2 ábrát)

Távolítsa el a csavaros dugót a hajtóműházból. Kenje meg a hajtóműházat az olajfuraton keresztül minden 50 üzemóra után.

Távolítsa el a csavarokat a hálózati doboz fedeléről, és távolítsa el a fedelet. Kenőolajozás minden 300 üzemóra után.

**MEGJEGYZÉS:** A legjobb működés és hosszabb élettartam érdekében kenje meg a sövényvágó hajtóműházát a zsírral. (SHELL Gadus S2 V220 1).



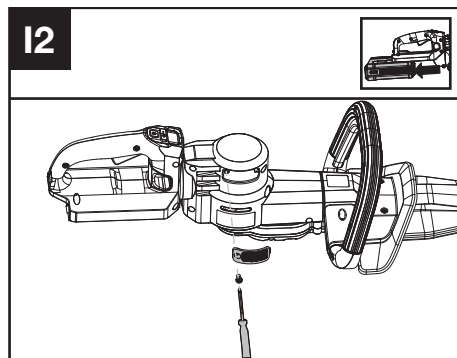
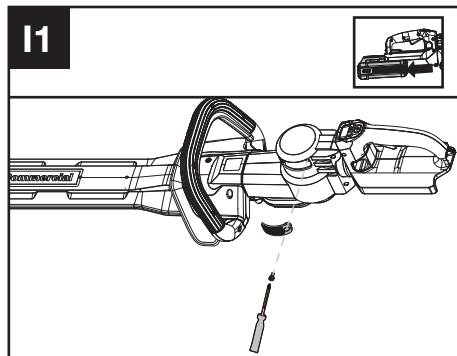
## ÉLEZÉS

**FIGYELMEZTETÉS:** Ne használja a gépet tompa vagy sérült vágókésekkel, mert ez túlterhelést és nem kielégítő teljesítményt okoz. Amikor a vágási teljesítmény romlani kezd, kérjük, élesítse újra a késeket. Ha a vágási teljesítmény romlani kezd, kérjük, éleztesse újra a pengét szakemberrel. A sövénynyíró kezelésénél mindig viseljen védőkesztyűt, és csak a vágóélel élezze meg. Csak élesítse a vágóélel. Ne csiszolja meg a vágókés vagy annak védőanyaga tompa kinyúló

részeit. Használjon köszörűkövet, hogy eltávolítsa a forgácsokat a vágóélelről. Élezés után tisztítsa le a port a késről.

## A légszűrő tisztítása (Lásd a I1, I2 ábrát)

1. Tisztítsa meg a légszűrő környékét. Használjon nedves ruhát vagy puha kefért.
2. Csavarja ki és vegye ki a légszűrőt.
3. Folyó vízzel mossa ki a légszűrőt a szennyeződések eltávolítása érdekében.
4. Hagyja a légszűrőt a levegőn megszáradni. Majd a csavar meghúzásával szerelje vissza a házba.



## TISZTÍTÁS

1. Kapcsolja ki a sövénynyíró, és vegye ki az akkumulátort.
2. Ne használjon agresszív tisztító- vagy oldószereket. A gépet használat után enyhe mosószerbe mártott nedves ruhával tisztítsa meg.
3. Tartsa az akkumulátor csatlakozóját szennyeződésektől és törmelékektől mentesen, és puha és száraz kefével vagy ruhával tisztítsa meg.
4. Ne spricceljen vizet a motorra és az elektromos alkatrészekre.
5. Ne használjon nagynyomású mosóberendezést a gép megtisztításához.

# TÁROLÁS

1. Tárolás előtt vegye ki az akkumulátort a fűkaszából.
2. A sövényírórt és az akkumulátort olyan száraz és biztonságos helyen tárolja, amely gyermekek és más illetéktelen személyek számára nem elérhető.
3. Az akkumulátort csak 5 °C (41°F) és 25 °C (77°F) közötti hőmérséklet-tartományban tárolja. Például nyáron ne hagyja az akkumulátort az autóban.
4. Ha működés közben az eső miatt nedves lett, a gépet és az akkumulátort tárolás vagy töltés előtt meg kell szárítani. Vegye ki az akkumulátort, és helyezze vissza, ha a készülék nem kapcsol be.

# AKKUS KÉZISZERSZÁMOKRA VONATKOZÓ FIGYELMEZTETÉSEK

A lemerítéshez ajánlott környezeti hőmérséklet-tartomány -20°C~45°C(-4°F~113°F). A töltőrendszer csak -5°C~45°C (23°F~113°F) közötti ajánlott környezeti hőmérsékleteken használható. (23°F~113°F).

# CHIBAKERESÉS

A következő táblázatban a hibatünetek, azok lehetséges okai és elhárításuk módja található, olyan esetekre, amikor a kerti kisműködik kifogástalanul.



**FIGYELEM:** A hibakeresés előtt kapcsolja ki a kerti kisműködik és vegye ki belőle az akkumulátort.

## NYÍRÓGÉP

| Problémák                       | Lehetséges okok                      | Helyrehozatal               |
|---------------------------------|--------------------------------------|-----------------------------|
| Az akkumulátor jelző LED villog | Alacsony az akkumulátor töltöttsége. | Töltse fel az akkumulátort. |


|                             |  |   |
|-----------------------------|--|---|
| Piros hibajelző LED villog. | Túlterhelés.   | A vágóeszköz elakadt. Kapcsolja ki a terméket. Távolítsa el az akkumulátort. Tisztítsa meg a vágóeszközt a nem kívánt anyagoktól. |
|                             | Hőmérsékleti probléma.                                 | Hagyja lehűlni a terméket.  |
|                             | Egyéb problémák  | Vegye fel a kapcsolatot a szervizzel  |
| A termék nem indul el       | Törmelék az akkumulátor csatlakozóiban.                | Tisztítsa meg az akkumulátor csatlakozókat sűrített levegővel vagy puha kefével.  |
|                             | Egyéb problémák  | Vegye fel a kapcsolatot a szervizzel.   |
| A nyírógép akadozva működik | Az akkumulátor nincs teljesen a géphez csatlakoztatva. | Helyezze be az akkumulátort teljes egészében.   |
|                             | Lehetséges elektromos probléma.                        | Vegye fel a kapcsolatot a szervizzel.   |
|                             | Vágóeszköz probléma. A gép meghibásodott.              | Cserélje ki a vágóeszközt. Vegye fel a kapcsolatot a szervizzel.  |

## AKKUMULÁTOR

| Problémák             | Lehetséges okok         | Helyrehozatal  |
|-----------------------|-------------------------|--|
| Hibajelző LED világít | Az akkumulátor lemerült | Töltse fel az akkumulátort. Ha az akkumulátor nem töltődik, forduljon a szervizhez.  |
|                       | Hőmérsékleti probléma.  | Az akkumulátort olyan környezetben használja, ahol a hőmérséklet töltéskor -5°C és 45°C (23°F és 113°F) között van; míg lemerítéskor -20°C és 45°C (-4°F és 113°F) között van. |
|                       | Egyebek                 | Vegye fel a kapcsolatot a szervizzel.  |

## MŰSZAKI ADATOK

Típus: KC201 KC201.X (201- a gép rendeltetése, a vezeték nélküli sövénynyírógép típus)

|                       | KC201 KC201.X**  |
|-----------------------|--|
| Feszültség            | 60 V  MAX *** |
| Vágási sebesség       | 4400/5000 SPM  |
| Késhossz              | 63 cm (25")  |
| Fogak távolsága       | 30 mm (1.18 inch)  |
| Védelmi fokozat       | IPX4   |
| Súly(Meztelen eszköz) | 3.8 kg (8.3 lbs)   |

\*\* X = 1-999, A-Z, M1-M9 csak különféle vásárlókra vonatkozik, ezek között a modellek között nincs biztonsági változás.

\*\*\* Terhelés nélküli feszültség. Az akkumulátor kezdő feszültsége maximum 60 volt. A névleges feszültség 54 volt.

## JAVASOLT AKKUMULÁTOROK ÉS TÖLTŐK

| Akkumulató               | Mapacitás | Töltés | Amperage |
|--------------------------|-----------|--------|----------|
| KAC800                   | 4 Ah      | KAC840 | 30 A     |
| KAC810 (Háti hevederrel) | 11 Ah     |        |          |
| KA3000                   | 2.0 Ah    |        |          |

Javasoljuk, hogy a tartozékokat ugyanattól a kereskedőtől vásárolja meg, aki a szerszámot is eladta. További részletekért olvassa el a tartozékcsomagolást. A márkakereskedő segíthet Önnek és tanácsot adhat.

## AZ AKKUMULÁTOR MŰSZAKI ADATAI (OPCIONÁLIS)

|  |                 |
|--|-----------------|
| A Bluetooth frekvenciasávjai               | 2400-2483.5 MHz |
| A Bluetooth maximális átvitt teljesítménye | 8 dBm           |

## ZAJÉRTÉKEK

|                             |                                |
|-----------------------------|--------------------------------|
| A-súlyozású hangnyomásszint | $L_{pA} = 87.48 \text{ dB(A)}$ |
| $K_{pA}$                    | 3.0 dB(A)                      |
| A-súlyozású hangerő         | $L_{wA} = 95.48 \text{ dB(A)}$ |
| $K_{wA}$                    | 0.97 dB(A)                     |

Viseljen hallásvédőt.



## REZGÉSERTEK

Az EN 62841 szabvány szerint meghatározott összes rezgés (háromtengelyű vektoriális összeg) a következők:

|                          |   |
|--------------------------|---|
| Tipikus súlyozott rezgés | Hátul: $a_h = 2.42 \text{ m/s}^2$<br>Elöl: $a_h = 2.50 \text{ m/s}^2$ |
| Bizonytalanság           | Hátul: $K = 1.5 \text{ m/s}^2$<br>Elöl: $K = 1.5 \text{ m/s}^2$       |

A vibráció és a zaj bejelentett összértékét szabványos mérési módszerrel állapították meg, és ezeket az értékeket két szerszám összehasonlításához is fel lehet használni. A vibráció és a zaj bejelentett összértékeit a rezgéseknek és zajártalomnak való kitétség előzetes felbecsüléséhez is fel lehet használni.



**FIGYELEM:** A kéziszerszám aktuális használatakor mérhető vibráció és zajkibocsátási értékek eltérhetnek a bejelentett értékektől, mert nagyban függnek a szerszám használati módjától és a megmunkált alkatrész típusától. Íme néhány példa és eltérő érték a szerszám használatától függően:

Hogyan használják a szerszámot, milyen anyagokat vágnak vagy fúrnak.

Az eszköz jó állapotban van-e, megfelelően karbantartják-e.

Megfelelő tartozékokat használnak-e az eszközhöz, vigyáznak-e, hogy éles legyen, és jó állapotban

maradjon.

A fogantyú megragadásának erősségétől és az esetleg használt vibrációs- és zajcsökkentő tartozék típusától.

A szerszámot rendeltetészerűen, kialakításának és a jelen utasításoknak megfelelően használják-e.

**Ha a szerszámot nem kezelik megfelelően, kéz-kar vibrációs szindrómát okozhat.**



**FIGYELEM:** A pontosság érdekében az expozíciós szint becslült értékéhez a valós használati körülmények között figyelembe kell venni a működési ciklus valamennyi elemét, így azt az időt is, amikor a szerszám ki van kapcsolva, és amikor üresjárásban működik. Ez a teljes munkaidőszak viszonylatában jelentősen csökkentheti az expozíciós szintet.

A vibrációnak és zajnak való kitettség kockázatának csökkentése.

MINDIG éles vésőt, pengét, és hegyes fúrófejet használjon.

Az eszközt jelen utasításoknak megfelelően tartsa karban, és vigyázzon a megfelelő kenésre (ahol erre szükség van).

Ha a szerszám rendszeres használatát tervezik, akkor megéri a vibrációs- és zajcsökkentő tartozékok beszerzése.

Úgy tervezze meg a munkáját, hogy a magas rezgésszámú eszközök használatát igénylő feladatokat több napra ossza el.

- Garantált hangerő-szint

96.45 dB (A)

Az alábbi normáknak:

**EN 62841-1, EN 62841-4-2, EN ISO 3744, EN IEC 55014-1, EN IEC 55014-2, EN IEC 63000**

A műszaki dokumentáció összeállítására jogosult személy:

**Név: Marcel Filz**

**Cím: Positec Germany GmbH  
Postfach 680194, 50704 Cologne,  
Germany**



2024/06/19

Allen Ding

Helyettes főmérnöke, Tesztelés és minősítés  
Positec Technology (China) Co., Ltd  
18, Dongwang Road, Suzhou Industrial  
Park, Jiangsu 215123, P. R. China

HU

## KÖRNYEZETVÉDELEM



A leselejtezett elektromos készülékek nem dobhatók ki a háztartási hulladékkal. Ha van a közelben elektromos hulladék gyűjtő udvar, vigye oda a készüléket. Az újrahasznosítási lehetőségekről tájékozódjon a helyi hatóságoknál vagy a kereskedőnél.

## MEGFELELŐSÉGI NYILATKOZAT

A gyártó,

Positec Germany GmbH

Postfach 680194, 50704 Cologne, Germany

A Positec nevében kijelenti, hogy a termék

Leírás **Akkumulátoros sövénynyíró**

Típus **KC201 KC201.X (201-a gép**

**rendeltetése, a vezeték nélküli sövénynyírógép típus)**

Rendeltetés **Sövények és bokrok vágása**

Megfelel a következő irányelveknek,

**2006/42/EC, 2014/30/EU, 2011/65/**

**EU&(EU)2015/863, 2000/14/EC módosítva  
2005/88/EC**

2000/14/EC módosítva 2005/88/EC:

- Megfelelőség-ellenőrző eljárás a Annex V

- Mért hangerő-szint 95.48 dB (A)

# CUPRINS

|                                  |     |
|----------------------------------|-----|
| Introducere.....                 | 110 |
| Listă de componente.....         | 111 |
| Securitatea produsului.....      | 112 |
| Montare și utilizare.....        | 116 |
| Transport.....                   | 119 |
| Întreținere.....                 | 119 |
| Curățarea.....                   | 120 |
| Depozitare.....                  | 120 |
| Depanarea.....                   | 121 |
| Date tehnice.....                | 121 |
| <b>RO</b> Rotecția mediului..... | 122 |
| Declarație de conformitate.....  | 123 |

## INTRODUCERE

Stimate Client,

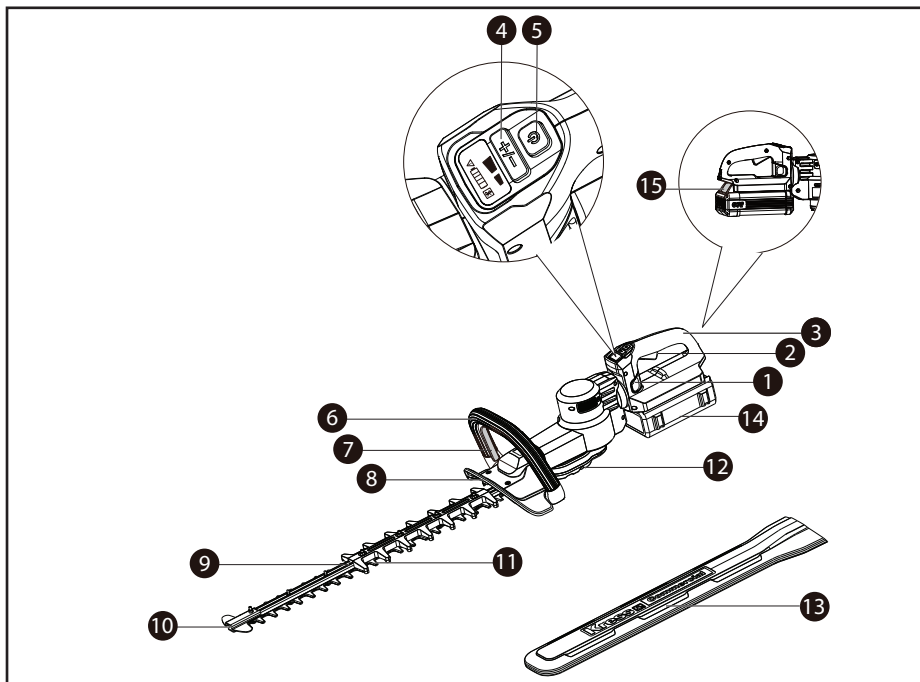
Vă mulțumim pentru achiziționarea acestui produs comercial Kress. Suntem dedicați dezvoltării de produse de înaltă calitate pentru a satisface cerințele dvs. cu privire la amenajarea spațiului comercial.

Marca Kress este sinonimă cu serviciile de calitate premium. Pe durata anilor de funcționare a produselor dvs., dacă aveți întrebări sau nelămuriri cu privire la produsul dvs., vă rugăm să contactați distribuitorul sau echipa noastră de asistență pentru clienți.

Suntem încrezători că vă veți bucura de folosirea produsului Kress pentru mulți ani de acum înainte.

## UTILIZARE CONFORM DESTINAȚIEI

Această mașină este destinată tăierii și toaletării gardului viu și a tufelor, în aplicații comerciale de intensitate redusă și mare.



## LISTA DE COMPONENTE

- |     |   |
|-----|---|
| 1.  | <b>BUTON DE BLOCARE PENTRU ROTIREA MÂNERULUI DIN SPATE</b>        |
| 2.  | <b>BUTON DE ACCELERAȚIE</b>                                       |
| 3.  | <b>MÂNER ROTATIV POSTERIOR</b>                                    |
| 4.  | <b>BUTON DE CONTROL AL VITEZEI</b>                                |
| 5.  | <b>COMUTATOR DE PORNIRE/OPRIRE</b>                                |
| 6.  | <b>FMÂNER DE TRANSPORT FRONTAL</b>                                |
| 7.  | <b>BUTON DE PREZENȚĂ A UTILIZATORULUI (BUTON MULT-FUNCȚIONAL)</b> |
| 8.  | <b>SCUT DE PROTECȚIE</b>  |
| 9.  | <b>LAMĂ</b>   |
| 10. | <b>PROTECȚIE VÂRF</b>   |
| 11. | <b>PROTECȚIA LAMEI DIN SPATE</b>                                  |
| 12. | <b>CUTIE DE VITEZE METALICĂ</b>                                   |
| 13. | <b>TEACĂ PENTRU LAMĂ</b>  |
| 14. | <b>ACUMULATOR *</b>   |
| 15. | <b>BUTON PENTRU ELIBERAREA BATERIEI</b>                           |

\* Nu toate accesoriile ilustrate sau descrise sunt incluse în livrarea standard.

# INSTRUCȚIUNI ORIGINALE SECURITATEA PRODUSULUI AVERTISMENTE GENERALE DE SIGURANȚĂ PENTRU UNELTE ELECTRICE

**⚠ ATENȚIONARE:** Citiți toate atenționările de siguranță și parcurgeți toate instrucțiunile, ilustrațiile și specificațiile atașate acestei scule electrice. Nerespectarea tuturor instrucțiunilor enumerate mai jos poate duce la electrocutare, incendii și/sau leziuni corporală gravă. **Păstrați toate avertismentele și instrucțiunile pentru consultări ulterioare.**

Termenul „unealtă electrică” din avertismente se referă la o unealtă electrică alimentată de la rețeaua de energie electrică (prin cablu) sau la o unealtă electrică alimentată de la un acumulator (fără cablu).

## 1) Siguranța zonei de lucru

- a) **Mențineți zona de lucru curată și bine iluminată.** Zonele de lucru în dezordine și întunecoase favorizează accidentele.
- b) **Nu utilizați uneltele electrice în atmosfere explozive, de exemplu în prezența unor lichide, gaze sau pulberi inflamabile.** Uneltele electrice provoacă scântei ce pot aprinde pulberea sau vaporii.
- c) **Asigurați-vă că nu sunt în apropiere persoane și copii în timpul funcționării unei unelte electrice.** Distragerea atenției poate duce la pierderea controlului uneltei.

## 2) Siguranța electrică

- a) **Fișele uneltei electrice trebuie să se potrivească perfect în priză de alimentare. Nu modificați niciodată ștecherul. Nu folosiți niciun adaptor pentru uneltele electrice cu împământare.** Utilizarea ștecherelor nemodificate în prize corespunzătoare va reduce riscul electrocutării.
- b) **Evitați contactul fizic cu suprafețe cu legătură la pământ, cum ar fi țevi, radiatoare, mașini de gătit sau frigider.** Riscul electrocutării este mai mare în cazul în care corpul dumneavoastră vine în contact cu suprafața împământată.
- c) **Nu folosiți aparatul în condiții de ploaie sau de umezeală. Acest lucru poate crește riscul de electrocutare.** Odată udate în ploaie în timpul funcționării, mașina și bateria trebuie să fie uscate înainte de a fi depozitate sau încărcate. Scoateți bateria

și reintroduceți-o dacă mașina nu reușește să pornească. Păstrați conexiunea acumulatorului fără murdărie și reziduuri și curățați acumulatorul cu o perie sau o cârpă moale și uscată.

- d) **Nu deteriorați cablul de alimentare. Nu folosiți niciodată cablul pentru transportarea, tragerea sau scoaterea din priză a uneltei electrice. Păstrați cablul de alimentare la distanță de căldură, ulei, margini ascuțite sau părți mobile.** Cablurile deteriorate sau încurcate măresc riscul electrocutării.
- e) **Când utilizați unealta electrică în exterior, utilizați un prelungitor potrivit pentru utilizarea în exterior.** Utilizarea unui cablu potrivit pentru uzul în exterior reduce riscul electrocutării.
- f) **Dacă utilizarea uneltei electrice într-un loc umed nu poate fi evitată, folosiți o alimentare protejată cu dispozitiv de curent rezidual (RCD).** Folosirea unui dispozitiv RCD reduce riscul electrocutării.

## 3) Siguranța personală

- a) **Fiți concentrat, urmăriți ceea ce faceți și dați dovadă de simț practic când folosiți o unealtă electrică. Nu folosiți o unealtă electrică dacă sunteți obosit sau sub influența drogurilor, a alcoolului sau a medicamentelor.** O clipă de neatenție în timpul funcționării uneltei electrice poate duce la accidentări personale grave.
- b) **Folosiți echipament personal de protecție. Purtați întotdeauna ochelari de protecție.** Echipamentele de protecție precum masca de protecție contra prafului, încălțăminte cu talpă antiderapantă, casca sau protecția pentru urechi vor reduce riscul accidentărilor, utilizate în mod corespunzător.
- c) **Preveniți punerea accidentală în funcțiune. Asigurați-vă că întrerupătorul se află în poziția de oprire înainte de a face conectarea la sursa de alimentare și/sau la acumulator, înainte de a ridica sau a transporta unealta.** Transportarea uneltelor electrice ținând degetul pe întrerupător sau alimentarea acestora cu întrerupătorul pornit poate duce la accidentări.
- d) **Scoateți orice cheie de reglare sau cheie de piulițe înainte de a porni unealta electrică.** O cheie de piulițe sau o altă cheie rămasă prinsă de o componentă rotativă a uneltei poate duce la rănirea personală.
- e) **Păstrați un echilibru corect. Mențineți-vă permanent echilibrul și sprijiniți-vă ferm pe picioare.** Acest lucru permite un control mai bun al uneltei electrice în situații neprevăzute.
- f) **Îmbrăcați-vă corespunzător. Nu purtați îmbrăcăminte prea largă sau bijuterii. Țineți la distanță părul și hainele**

**dvs. de piesele în mișcare ale unelei electrice.** *Hainele prea largi, bijuteriile și părul lung se pot prinde în piesele mobile.*

**g) Dacă sunt furnizate accesoriile pentru conectarea unor dispozitive de aspirare și colectare a prafului, asigurați-vă că acestea sunt montate și folosite corect.** *Folosirea colectorului de praf poate reduce riscul accidentărilor din cauza prafului.*

**h) Nu lăsați ca odată cu familiarizarea dvs. cu utilizarea unelei să deveniți indolenți și să uitați respectarea principiilor de siguranță ale unelei electrice.** *Orice acțiune nesăbuită poate duce la leziuni corporale grave într-o fracțiune de secundă.*

**4) Utilizarea și întreținerea uneltelor electrice**

**a) Nu forțați unealta electrică. Folosiți unealta electrică potrivită pentru aplicație.** *Cu o unealtă electrică potrivită veți lucra mai bine și mai în siguranță, la viteza pentru care a fost concepută.*

**b) Nu utilizați unealta electrică dacă nu o puteți porni sau opri de la întrerupător.** *Orice unealtă electrică ce nu poate fi acționată de la întrerupător este periculoasă și trebuie reparată.*

**c) Deconectați ștecherul de la sursa de alimentare electrică și/sau scoateți acumulatorul detașabil din unealta electrică înainte de orice reglaj, schimbare de accesoriu sau de stocare a unelei.** *Astfel de măsuri de siguranță reduc riscul pornirii accidentale a unelei electrice.*

**d) Nu lăsați uneltele electrice la îndemâna copiilor și nu permiteți persoanelor ce nu știu să le manevreze și nu cunosc instrucțiunile să acționeze aceste unelte.** *Uneltele electrice sunt periculoase în mâinile utilizatorilor neinstruiți.*

**e) Întreținerea unelei electrice și ale accesoriilor aferente. Verificați posibila aliniere incorectă sau posibila blocare a componentelor mobile, deteriorarea componentelor sau orice alte situații care pot afecta funcționarea unelei electrice.** *Dacă unealta electrică este deteriorată, reparați-o înainte de utilizare. Multe accidente sunt provocate din cauza întreținerii incorecte a uneltelor.*

**f) Uneltele de tăiere trebuie menținute ascuțite și curate.** *Riscul blocării uneltelor de tăiere cu margini ascuțite întreținute corect este mai mic și acestea sunt mai ușor de controlat.*

**g) Utilizați unealta electrică, accesoriile, piesele etc. conform acestor instrucțiuni, luând în considerare condițiile de lucru și operația de**

**efectuat.** *Folosirea unelei electrice pentru operații diferite de cele pentru care a fost concepută poate duce la accidente.*

**h) Păstrați uscate, curate și fără urme de ulei sau grăsime mânerul și suprafețele de apucare ale unelei.** *Mânerul și suprafețele de apucare alunecoase împiedică manipularea și controlul sigur al unelei tocmai în cele mai neașteptate situații.*

**5) Utilizarea și întreținerea uneltelor cu acumulatori**

**a) Efectuați reincărcarea numai cu încărcătorul specificat de producător.**

*Un încărcător adecvat pentru un anumit tip de acumulator poate prezenta risc de incendiu dacă este utilizat cu alt tip de acumulator.*

**b) Folosiți mașinile electrice numai cu acumulatorii special destinați acestora.** *Utilizarea oricărui altor acumulatori poate prezenta risc de rănire și de incendiu.*

**c) Când nu folosiți acumulatorul, țineți-l la distanță de obiecte metalice precum agrafe de birou, monede, chei, cuie, șuruburi sau alte obiecte metalice mici, ce pot constitui o legătură între cele două borne.** *Un scurtcircuit al bornelor acumulatorului poate duce la arsuri sau incendiu.*

**d) În condiții necorespunzătoare de utilizare, se poate prelinge lichid din acumulator; evitați contactul.** **În caz de producere accidentală a contactului, clătiți bine cu apă.** *Dacă v-a intrat lichid în ochi, consultați imediat medicul. Lichidul expulzat din acumulator poate cauza iritații sau arsuri.*

**e) Nu utilizați acumulatorul sau scula dacă acestea sunt deteriorate sau modificate.** *Acumulatorii deteriorați sau modificate se pot comporta într-un mod imprevizibil, crescând riscul unui incendiu, unei explozii sau leziunilor corporale.*

**f) Evitați expunerea la foc și la temperaturi excesive a acumulatorului sau a sculei.** *Expunerea la foc sau la temperaturi care depășesc 130°C poate duce la explozie.*

**g) Respectați toate instrucțiunile de reincărcare și nu încărcați acumulatorul sau scula decât în plaja de temperaturi specificată în instrucțiuni.** *Reincărcarea necorespunzătoare sau la temperaturi din afara plajei de temperaturi specificate poate duce la deteriorarea acumulatorului și la creșterea riscului de incendiu.*

**6) Service**

**a) Service-ul unelei electrice trebuie efectuat de persoane calificate, folosind doar piese de schimb originale.** *Acest lucru va asigura folosirea în continuare a unelei electrice în siguranță.*

**b) Nu reparați niciodată acumulatorul deteriorat.** Service-ul acumulatorilor trebuie efectuat numai de către fabricant sau de centre de service autorizate.

## AVERTISMENTE DE SIGURANȚĂ PENTRU MAȘINA DE TUNS GARDUL VIU:

**a) Nu utilizați mașina de tuns gard viu în condiții meteorologice nefavorabile, mai ales atunci când există riscul apariției fulgerelor.** Acest lucru scade riscul de a fi lovit de fulger.

**b) Păstrați toate cablurile, inclusiv cel de alimentare departe de zona de tăiere.** Acestea se pot ascunde în garduri sau tufișuri și pot fi tăiate accidental de lamă.

**c) Purtați protecție auditivă.** Echipamentul de protecție adecvat va reduce riscul de pierdere a auzului.

**d) Țineți unealta electrică de suprafețele de prindere izolate atunci când efectuați o operațiune în care accesoriul de tăiere poate intra în contact cu fire ascunse.** Accesoriul de tăiere care intră în contact cu un fir aflat sub tensiune poate pune sub tensiune componentele metalice neizolate ale mașinii electrice și poate produce un șoc electric asupra operatorului.

**e) Țineți toate părțile corpului la distanță de lama țineți materialul de tăiat când lamele sunt în mișcare.** Lamele continuă să se miște după oprirea comutatorului. Un moment de neatenție în timpul operării mașinii de tuns gardul viu poate duce la accidentarea personală gravă.

**f) Când scoateți materialul blocat sau reparați unitatea, asigurați-vă că toate comutatoarele de alimentare sunt oprite și că acumulatorul din spate este scos sau deconectat.** Acționarea neașteptată a mașinii de tuns gard viu în timp ce curățați materialul blocat sau reparați unitatea poate duce la vătămări corporale grave.

**g) Transportați mașina de tuns gardul viu de mâner cu lama de tăiere oprită și având grijă să nu acționați comutatorul de alimentare.** Manipularea adecvată a mașinii de tuns gardul viu va reduce accidentarea personală posibilă din partea lamelor de tăiere.

**h) Când transportați sau depozitați mașina de tuns gard viu, montați întotdeauna capacul lamei.** Manevrarea corectă a mașinii de tuns gard viu va reduce riscul de vătămare corporală cauzat de lame.

**i) Verificați gardurile și tufișurile de obiecte străine, de ex. garduri electrice și cablaje ascunse.**

**j) Țineți mașina de tuns gard viu corespunzător, de ex. cu ambele mâini dacă sunt furnizate două mâner.**

**k) Mașina de tuns gardul viu este destinată să fie utilizată de operator la nivelul solului și nu pe scări sau orice alt suport instabil.**

**l) Înainte de a utiliza mașina de tuns gard viu, utilizatorul trebuie să se asigure că dispozitivul (dispozitivele) de blocare a oricăror elemente mobile (de ex. arborele extins și elementul pivotant), dacă există, sunt în poziția blocată.**

**m) Întrețineți toate mecanismele de oprire reglabile la intervale regulate.**

**n) Nu ridicați sau nu transportați tăietorul de gard viu folosind o singură mână.**

## AVERTISMENTE PRIVIND SIGURANȚA PENTRU ACUMULATOR

**a) Nu demontați, deschideți sau rupeți elementele sau acumulatorul.**

**b) Nu scurtcircuitați un acumulator.** Nu depozitați acumulatorul la întâmplare într-o cutie sau într-un sertar unde s-ar putea scurtcircuita între ele sau prin materiale conductoare. Când bateria nu este în uz, țineți-o la distanță de alte obiecte metalice, cum sunt agrafele pentru hârtie, monede, cuie, șuruburi sau alte obiecte metalice mici, care pot crea contact între bornele acesteia. Scurtcircuitarea bornelor bateriei poate cauza arsuri sau incendii.

**c) Nu expuneți acumulatorul la căldură sau foc.** Evitați depozitarea în lumina directă a soarelui.

**d) Nu supuneți acumulatorul la șocuri mecanice.**

**e) În cazul scurgerii acumulatorului, aveți grijă ca lichidul să nu intre în contact cu pielea sau ochii.** În cazul contactului, spălați zona afectată cu apă din belșug și solicitați asistență medicală.

**f) Mențineți acumulatorul curat și uscat.**

**g) Ștergeți terminalele acumulatorului cu o cârpă curată și uscată dacă se murdăresc.**

**h) Acumulatorul trebuie încărcat înainte de utilizare.** Consultați întotdeauna aceste instrucțiuni și utilizați procedura de încărcare corectă.

**i) Nu încărcați acumulatorul atunci când nu îl utilizați.**

**j) După perioade extinse de depozitare, ar putea fi necesară încărcarea și**

descărcarea acumulatorului de mai multe ori pentru a obține performanțe maxime.

- k) Reîncărcați folosind doar încărcătorul specificat de Kress. Nu utilizați niciun alt încărcător în afară de cel conceput specific pentru utilizarea cu acest echipament.
- l) Nu utilizați acumulatorii care nu sunt concepuți pentru a fi utilizați cu acest echipament.
- m) Nu lăsați acumulatorul la îndemâna copiilor.
- n) Păstrați documentația originală a produsului pentru consultări ulterioare.
- o) Îndepărtați acumulatorul din echipament atunci când nu îl utilizați.
- p) Eliminați acumulatorul în mod corespunzător.
- q) Nu introduceți în aparat acumulatorii care provin de la producători diferiți sau cu capacități, dimensiuni sau tipuri diferite.
- r) Țineți acumulatorul departe de microunde și presiune ridicată.
- s) Atenție! Nu utilizați baterii nereîncărcabile.


recepția radio-TV, care se pot identifica prin pornirea și oprirea echipamentului, utilizatorul este încurajat să încerce să corecteze interferențele printr-una sau mai multe măsuri de mai jos:

- Reorientați sau reamplasați antena de recepție.
- Creșteți distanța dintre echipament și receptor.
- Conectați echipamentul la o priză de pe alt circuit față de cel la care este conectat receptorul.
- Consultați reprezentanța sau un specialist radio/TV experimentat pentru ajutor.

## CERINȚELE MANUALULUI DE UTILIZARE PENTRU PRODUSE CU ACUMULATOR

- a) Utilizarea acestui dispozitiv este supusă următoarelor două condiții:  
(1) Acest dispozitiv nu poate cauza interferențe dăunătoare, și  
(2) acest dispozitiv trebuie să accepte orice interferențe primite, inclusiv interferențe care pot provoca o funcționare nedorită.
- b) Atenție: Schimbările sau modificările aduse acestei unități, care nu sunt aprobate explicit de partea responsabilă cu conformitatea, pot anula dreptul utilizatorului de a utiliza echipamentul.
- c) NOTĂ: Acest echipament generează, utilizează și poate radia energie de frecvență radio și, dacă nu este instalat și folosit conform instrucțiunilor, poate produce interferențe periculoase pentru comunicațiile radio. Totuși, nu există nicio garanție că nu vor apărea interferențe în anumite instalații. Dacă acest echipament nu produce interferențe periculoase pentru

## SIMBOLURI

|   |   |
|---|---|
|    | Pentru a reduce riscul de accidentări, utilizatorul trebuie să citească manualul de utilizare.  |
|    | Avertisment   |
|    | Purtați echipament de protecție pentru ochi   |
|    | Purtați echipament de protecție pentru urechi   |
|   | Purtați mască de protecție contra prafului  |
|  | Țineți mâinile la distanță!   |
|  | Purtați mănuși de protecție   |
|  | Nu ardeți   |
|  | Dacă nu este manipulată corect, bateria poate intra în ciclul de apă și poate provoca daune ecosistemului. Nu aruncați bateriile uzate ca deșeuri municipale nesortate. |



Li-Ion



Acumulator litiu-ion, care a fost etichetat cu simbolurile asociate cu "colectarea separată" a tuturor acumulatorilor și acumulatorilor. Acesta este apoi reciclat sau eliminat pentru a reduce impactul asupra mediului. Bateriile pot fi dăunătoare mediului și sănătății umane deoarece conțin substanțe nocive.

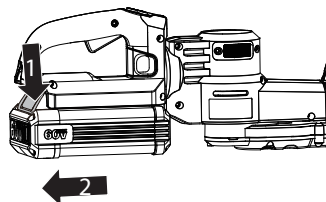


Produsele electrice nu trebuie depuse la deșeurile împreună cu gunoierii menajeri. Vă rugăm să depuneți produsele electrice la unitățile de reciclare existente. Consultați-vă cu autoritățile locale sau cu distribuitorul pentru sfaturi privind reciclarea.



Scoateți acumulatorul din mașina de tuns gardul viu înainte de a efectua orice ajustări, operațiuni de service sau întreținere.

A2

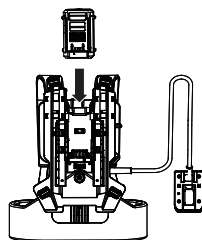


1. Introduceți acumulatorul în compartimentul pentru baterii până când auziți un clic.
2. Apăsați butonul pentru eliberarea acumulatorului pentru a-l scoate din echipament.

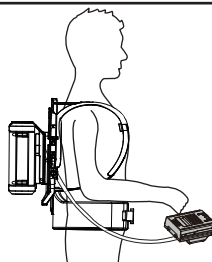
### Conectarea mașinii de tuns gard viu la hamul de tip rucsac (Consultați fig. B1,B2,B3)

Instalați acumulatorul în hamul de tip rucsac, apoi introduceți ștecărul în mașină. Puneți-vă hamul de tip rucsac. Mai multe detalii găsiți în manualul hamului de tip rucsac.

B1



B2



## ASAMBLARE ȘI OPERARE



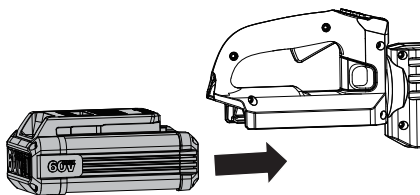
**NOTĂ:** Înainte de utilizarea sculei, citiți manualul de instrucțiuni cu atenție.

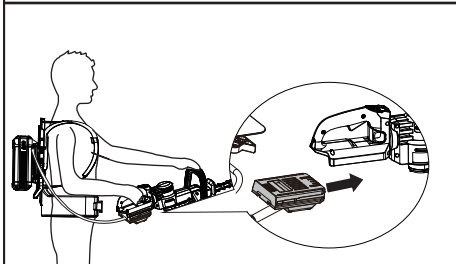


**ÎNAINTE DE A UTILIZA:**

**Pentru A Demonta Sau Monta Acumulatorul (Vezi Figura. A1,A2)**

A1



**B3**

### Testarea trimmerului și a bateriei (Consultați fig. C)

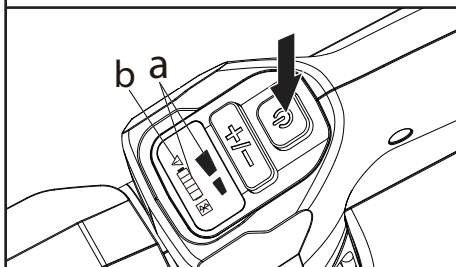
#### Verificarea comenzilor

#### Maneta de comandă față și maneta de comandă spate

1. Scoateți acumulatorul.
2. Apăsați și eliberați maneta de comandă față și maneta de comandă spate. Dacă maneta de comandă spate sau maneta de comandă față se blochează și nu poate reveni la poziția inițială, nu mai utilizați trimmerul și contactați agentul de service.

#### Verificarea afișajului

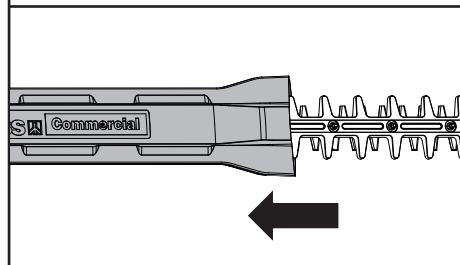
1. Introduceți bateria.
2. Țineți apăsat comutatorul de pornire/oprire. Produsul este pornit atunci când LED-ul (a) este aprins. Produsul este oprit atunci când LED-ul (a) este stins.
3. Dacă indicatorul de avertizare (b) se aprinde sau clipește, consultați secțiunea **Depanare** pentru soluții.
4. Apăsați maneta de comandă față, apoi maneta de comandă spate pentru a porni mașina.
5. Eliberați maneta de comandă din spate. Trimmerul se oprește. Dacă trimmerul nu se poate opri, scoateți bateria și contactați agentul de service.

**C**

## Operațiune

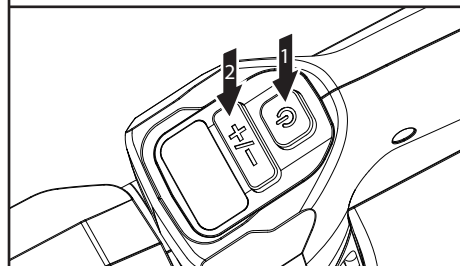
### Pornirea & Oprirea

Înainte de utilizare, scoateți mai întâi tocul lamei.  
(Consultați fig. D1)

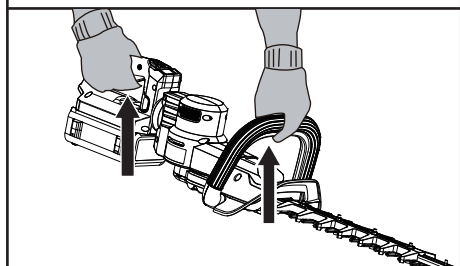
**D1**

### Alegerea vitezei

1. Apăsați butonul Pornit/Oprit.
2. Apăsați butonul de control al vitezei pentru a alege viteza de care aveți nevoie. (Consultați fig. D2)

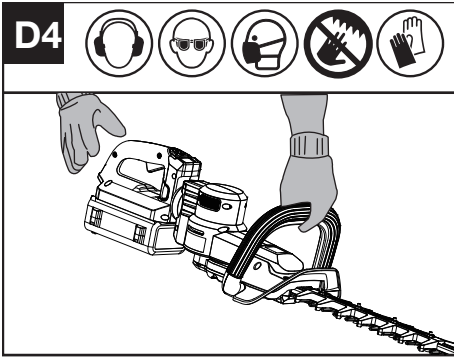
**D2**

Apăsați maneta de comandă față și maneta de comandă spate pentru pornire. (Consultați fig. D3)

**D3**

Eliberați maneta comutatorului din spate și maneta comutatorului frontal pentru a opri. (Consultați fig. D4)

RO

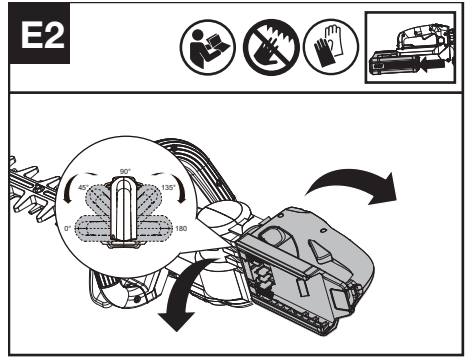
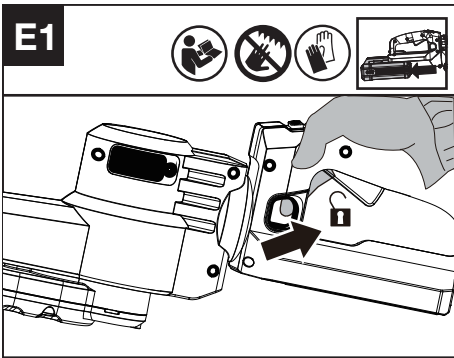


Când nu o utilizați, opriți mașina de tuns gard viu și deconectați-o cu hamul de tip rucsac.

### Rotirea mânerului posterior (Consultați fig. E1, E2)

**NOTĂ:** Înainte de a încerca rotirea mânerului, eliberați butonul de blocare a acestuia. După ce ați rotit și așezat mânerul în poziția dorită, mai mișcați-l un pic, până când se aude un clic.

**AVERTISMENT:** Înainte de a trece la operațiunea de tăiere, asigurați-vă că mânerul posterior este blocat în poziția dorită. Înainte de a mașina de tuns gardul viu, asigurați-vă întotdeauna că butonul de blocare se află în poziția de blocare. Nu rotiți mânerul posterior în timpul utilizării mașinii de tuns gard viu.



### Cum să folosiți mașina dvs de tuns gardul viu

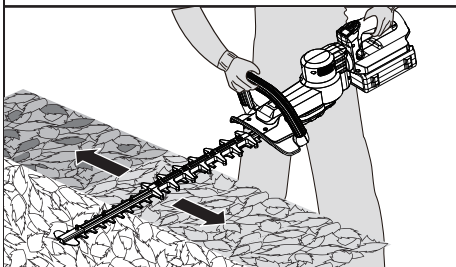
Înainte de tunderea unei zone, inspectați mai întâi și îndepărtați orice obiecte străine care ar putea fi aruncate de lame sau prinse în acestea. Țineți întotdeauna mașina de tuns gardul viu cu ambele mâini și cu lama în direcție opusă de dvs când o porniți.

Atunci când tundeți gard viu nou crescut, folosiți o mișcare de rotire în așa fel încât tulpinile să fie alimentate direct înspre lamă. Lăsați lamele de tăiere să atingă viteza maximă înainte de a intra cu lama în materialul de tăiat. Lucrați întotdeauna mergând în direcție diferită de persoane sau obiecte solide precum ziduri, pietre mari, copaci, vehicule etc. Dacă lama se blochează, opriți imediat mașina de tuns gardul viu. Deconectați-o de la sursa de curent și curățați resturile blocate din lamele de tăiere. Purtați mănuși când tăiați plantele ascuțite sau cu spini. Nu încercați să tăiați tulpini ce sunt prea groase pentru lama de tăiere.

### Tăierea din vârf (Consultați FIG. F)

Folosiți o mișcare de rotire largă. O ușoară aplecare în față a lamelor de tăiere în direcția mișcării dă cele mai bune rezultate de tăiere.

**AVERTISMENT:** Dacă vreo piesă componentă lipsește, este deteriorată sau crăpată, nu utilizați mașina până la înlocuirea sau repararea tuturor pieselor deteriorate. Nerespectarea acestei prevederi poate duce la leziuni corporale grave. **NU FOLOSITI ACEST PRODUS FĂRĂ POTRIVIREA APĂRĂTORII ȘI A MÂNERULUI FRONTAL.**

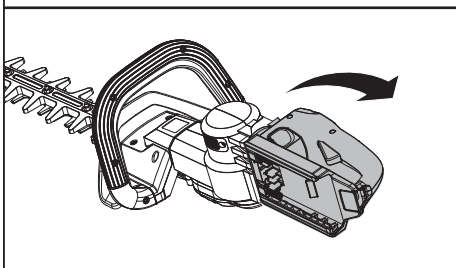
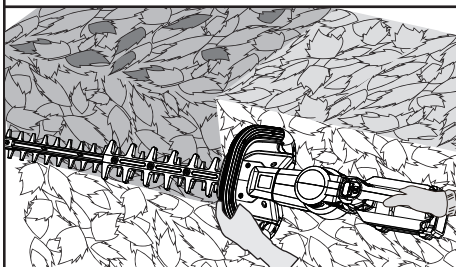
**F**

### Tăierea laterală (Consultați fig. G1, G2)

Atunci când tundeți părțile laterale ale gardului viu, începeți de la bază și tăiați în sus, în formă conică gardul îndreptat spre vârf. Această formă va expune mai mult din gardul viu, rezultând într-o formă mai uniformă creșterea.



**AVERTISMENT:** Opriti mașina de tuns gard viu înainte de a roti mânerul posterior.

**G1****G2**

## TRANSPORTUL

### Transportul motocoasei

1. Opriti motocoasa și scoateți bateria.
2. Când transportați motocoasa cu mâna, țineți de mijlocul axului, cu capul de tăiere îndreptat spre spate, pentru a vă asigura că mașina este paralelă cu solul.
3. Când transportați motocoasa într-un vehicul, fixați-o și poziționați-o pentru a preveni rotirea sau avarierea.

### Transportul bateriei

1. Asigurați-vă că bateria se află într-o stare bună.
2. Folosiți un ambalaj izolator de curent atunci când transportați bateria.
3. Bateriile Li-Ion închise fac obiectul cerințelor legislației privind mărfurile periculoase. Transportați bateriile numai atunci când carcasa lor nu este deteriorată. Ambalați bateriile astfel încât acestea să nu se poată mișca în ambalaj.

## ÎNTREȚINERE



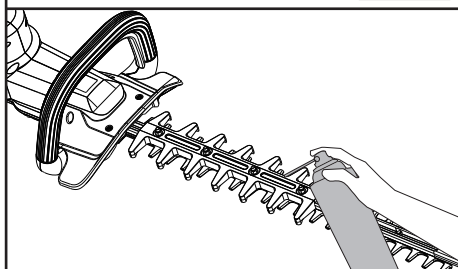
### Scoateți întotdeauna acumulatorul din motocositoare după utilizare.

Scoateți acumulatorul din mașina de tuns gard viu înainte de a efectua orice ajustări, operațiuni de service sau întreținere.

Interiorul unelei electrice nu conține piese care pot fi depanate de către utilizator. Nu utilizați niciodată apă sau agenți chimici de curățare pentru curățarea unelei electrice. Ștergeți unealta cu o cârpă uscată. Depozitați întotdeauna unealta într-un loc uscat. Mențineți fantele de aerisire a motorului curate. Feriți de praf toate comenzile de lucru.

### Lubrifierea lamei de tăiere (Consultați fig. H1)

**NOTĂ:** Pentru a evita deteriorarea lamei de ferăstrău, este importantă utilizarea exclusivă a uleiului de lubrifiere standard (WD-40), recomandat de producător.

**H1**

RO

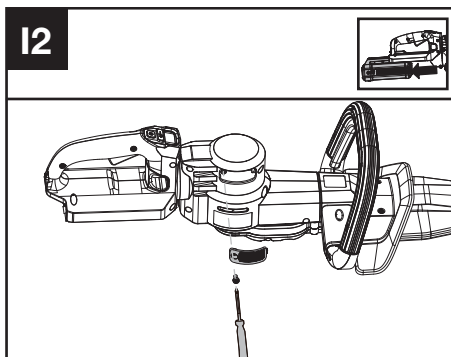
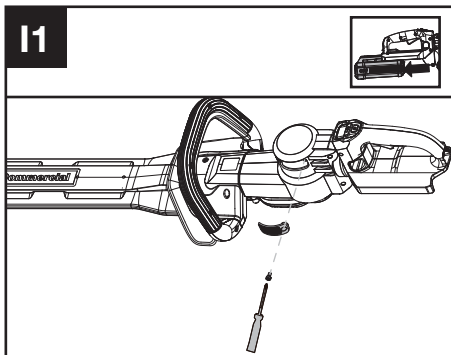
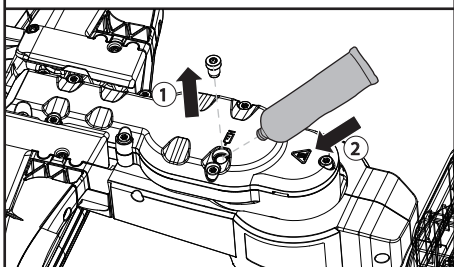
## Lubrifierea cutiei de viteze. (Consultați fig. H2)

Scoateți dopul șurubului din carcasa angrenajului. Lubrifierea carcasei angrenajului prin gaura de ulei după fiecare 50 de ore de funcționare.

Scoateți șuruburile de pe capacul cutiei de viteze și scoateți capacul. Lubrifiere după fiecare 300 de ore de funcționare.

**NOTĂ:** Pentru o funcționare optimă și o durată de viață mai lungă, ungeți cutia de viteze pentru tuns gard viu cu unsoare (SHELL Gadus S2 V220 1).

### H2



RO

## ASCUȚIREA

**AVERTISMENT:** Nu folosiți mașina cu lame de tăiere tocite sau deteriorate, deoarece va cauza supraîncărcare și performanțe nesatisfăcătoare. Când performanța de tăiere începe să scadă, vă rugăm să reascuțiți lama. Când performanța de tăiere începe să scadă, vă rugăm să apelați la un specialist pentru a reascuți lama. Purtați întotdeauna mănuși de protecție atunci când manipulați lama trimmerului și ascuțiți numai muchia de tăiere. Ascuțiți numai muchia de tăiere. Nu ascuțiți părțile proeminente ale lamei de tăiere sau ale dispozitivului de protecție. Folosiți o piatră de șlefuit pentru a îndepărta bavura de pe muchia de tăiere. După ascuțire, curățați praful de pe lamă.

## Curățarea filtrului de aer (Consultați fig. I1, I2)

1. Curățați zona din jurul filtrului de aer. Folosiți o cârpă umedă sau o perie moale.
2. Deșurubați și scoateți filtrul de aer.
3. Spălați filtrul de aer sub jet de apă pentru a îndepărta murdăria.
4. Lăsați filtrul de aer să se usuce la aer. Apoi reinstalați-l în carcasă, strângând șurubul.

## CURĂȚAREA

1. Opriti trimmerul și scoateți bateria.
2. Nu utilizați detergenți sau solvenți agresivi. Curățați mașina după utilizare cu o cârpă umedă înmuiată în detergent neutru.
3. Păstrați curate contactele bateriei și curățați-le cu o perie sau o cârpă moale și uscată.
4. Nu pulverizați apă pe motor și pe componentele electrice.
5. Nu utilizați dispozitiv cu jet sub presiune pentru a vă curăța mașina.

## DEPOZITAREA

1. Scoateți acumulatorul din mașina de tuns înainte de depozitare.
2. Depozitați trimmerul într-un loc uscat și sigur, inaccesibil copiilor și altor persoane neautorizate.
3. Depozitați bateria numai într-un interval de temperatură cuprins între 5°C (41°F) și 25°C (77°F). Ca exemplu, nu lăsați bateria în mașină pe timp de vară.
4. Odată udate în ploaie în timpul funcționării, mașina și bateria trebuie să fie uscate înainte de a fi depozitate sau încărcate. Scoateți bateria și reintroduceți-o dacă mașina nu reușește să pornească.

# CONSIDERAȚII PRIVIND UNELTELE ALIMENTATE CU ACUMULATOR

Intervalul de temperatură ambiantă recomandat pentru descărcare este -20°C~45°C (-4°F~113°F). Plașa de temperatură ambiantală recomandată pentru reîncărcare este cuprinsă între -5°C~45°C (23°F~113°F).

## DETECTAREA DEFECȚIUNILOR

Următorul tabel prezintă simptomele defecțiunilor, cauzele posibile precum și soluția corectă de remediere a acestora, dacă vreodată scula dumneavoastră electrică de grădină nu funcționează impecabil.



**ATENȚIE:** Înainte de a trece la detectarea defecțiunilor, opriți scula electrică de grădină și extrageți acumulatorul din aceasta.

### MOTOCOASĂ

| Probleme                              | Cauze posibile                   | Acțiune corectivă  |
|---------------------------------------|----------------------------------|--|
| LED-ul indicator al bateriei clipește | Tensiune scăzută a bateriei.     | Încărcați acumulatorul.  |
| LED-ul roșu de eroare clipește        | Suprasarcină.                    | Accesorii de tăiere este blocat<br>Dezactivați echipamentul.<br>Scoateți acumulatorul.<br>Curățați accesoriul de tăiere de materiale nedorite. |
|                                       | Problemă de temperatură.         | Lăsați aparatul să se răcească   |
|                                       | Alte probleme                    | Contactați agentul de service.   |
| Aparatul nu pornește                  | Murdărie pe contactele bateriei. | Curățați conectorii bateriei cu aer comprimat sau cu o perie moale.  |
|                                       | Alte probleme                    | Contactați agentul de service.   |

|  |  |   |
|--|--|---|
| Motocoasa funcționează cu întreruperi. | Bateria nu este montată corect pe echipament.            | Introduceți corect bateria.   |
|  | Posibilă problemă electrică.                             | Contactați agentul de service.                                      |
| Vibrații/zgomote excesive.             | Problemă la dispozitivul de tăiere. Mașina este defectă. | Înlocuiți dispozitivul de tăiere.<br>Contactați agentul de service. |

### BATERIA

| Probleme                     | Cauze posibile           | Acțiune corectivă  |
|------------------------------|--------------------------|--|
| LED-ul de eroare este aprins | Bateria este descărcată  | Încărcați acumulatorul.<br>Dacă bateria nu se încarcă, contactați agentul de service.  |
|                              | Problemă de temperatură. | Utilizați bateria în medii în care temperaturile sunt cuprinse între -5°C și 45°C (23°F și 113°F) pentru încărcare; -20°C și 45°C (-4°F și 113°F) pentru descărcare. |
| Altele                       |                          | Contactați agentul de service.   |

RO

## DATE TEHNICE

Tip: **KC201 KC201.X (201- denumirea echipamentului, reprezentativă pentru trimmerul cu acumulator pentru gard viu)**

|                             | KC201 KC201.X**   |
|-----------------------------|-------------------|
| Tensiune                    | 60 V  MAX ***     |
| Viteza de taiere            | 4400/5000 SPM     |
| Lungime lamă                | 63 cm (25")       |
| Distanța dintre dinți       | 30 mm (1.18 inch) |
| Grad de protecție           | IPX4              |
| Greutate (Instrument scump) | 3.8 kg (8.3 lbs)  |

\*\* X = 1-999, A-Z, M1-M9 sunt destinate doar clienților diferiți, nu există modificări legate de siguranță între aceste modele.

\*\*\* Tensiune măsurată în gol. Tensiunea inițială a acumulatorului atinge maximum 60 volți. Tensiunea nominală este de 54 volți.

# BATERII ȘI ÎNCĂRCĂTOARE SUGERATE

| Acumulator                        | Capacitate | Încărcător | Amperage |
|-----------------------------------|------------|------------|----------|
| KAC800                            | 4 Ah       | KAC840     | 30 A     |
| KAC810<br>(Cu hamul pentru spate) | 11 Ah      |            |          |
| KA3000                            | 2.0 Ah     |            |          |

Recomandăm să achiziționați accesoriile de la același reprezentant de unde ați achiziționat aparatul. Consultați ambalajul accesoriilor pentru detalii suplimentare. Reprezentantul dvs. vă poate ajuta cu recomandări.

## DATE TEHNICE PENTRU ACUMULATOR (OPȚIONAL)

|   |                 |
|---|-----------------|
| Benzi de frecvență pentru bluetooth       | 2400-2483.5 MHz |
| Putere transmisă, maximă pentru bluetooth | 8 dBm           |

## INFORMAȚII PRIVIND ZGOMOTUL

|                             |                                |
|-----------------------------|--------------------------------|
| Presiune sonoră ponderată A | $L_{pA} = 87.48 \text{ dB(A)}$ |
| $K_{pA}$                    | 3.0 dB(A)                      |
| Putere sonoră ponderată A   | $L_{wA} = 95.48 \text{ dB(A)}$ |
| $K_{wA}$                    | 0.97 dB(A)                     |

**Purtați echipament de protecție pentru urechi.**



## INFORMAȚII PRIVIND VIBRAȚIILE

Valori totale vibrații (sumă vectorială triaxială) determinată conform EN 62841:

|                           |   |
|---------------------------|---|
| Vibrație ponderată tipică | Spate: $a_h = 2.42 \text{ m/s}^2$<br>Față: $a_h = 2.50 \text{ m/s}^2$ |
| Vibrație ponderată tipică | Spate: $K = 1.5 \text{ m/s}^2$<br>Față: $K = 1.5 \text{ m/s}^2$       |

Valoarea totală declarată pentru vibrații și pentru zgomot a fost măsurată în concordanță cu metoda de

testare standard și poate fi utilizată și la compararea a două unelte.

Valoarea totală declarată pentru vibrații și pentru zgomot poate fi utilizată și la evaluarea preliminară a expunerii la acestea.



**ATENȚIONARE:** Nivelul emisiilor de vibrații și de zgomot în timpul utilizării reale a unelei poate să difere de valorile declarate, aceste valori fiind în funcție de modalitățile de utilizare ale sculei, dar mai ales de felul piesei prelucrate cu unealta. Iată în continuare niște exemple de utilizare care conduc la apariția diferențelor de valori:

Modul în care scula este folosită și tipul de materiale tăiate sau sfredelite.

Scula este în stare bună de funcționare și bine întreținută.

Folosirea accesoriului corect pentru sculă și păstrarea acestora în condiții bune.

Forța de apucare a mânerelor și dacă s-a utilizat vreun accesoriu de reducere a vibrațiilor și a zgomotului.

Scula este folosită conform indicațiilor din fabrică și conform acestor instrucțiuni.

**Această sculă poate cauza sindromul vibrație mână-braț dacă nu este folosită în mod corespunzător.**



**ATENȚIONARE:** Pentru a fi corectă, estimarea nivelului de expunere în condiții concrete de folosire trebuie să ia în considerare toate părțile ciclului de operare cum ar fi de câte ori scula este oprită și cât timp este pornită dar nu lucrează. Acest lucru poate reduce semnificativ nivelul de expunere de-a lungul perioadei de lucru totale. Minimalizarea riscului de expunere la vibrații și la zgomot.

Folosiți ÎNTOTDEAUNA dalte, burghiuri și lame ascuțite.

Păstrați acest aparat în conformitate cu aceste instrucțiuni și păstrați-l bine gresat (dacă e cazul). Dacă unealta va fi utilizată în mod regulat, atunci nu ezitați să investiți în procurarea de accesorii antivibrație și antizgomot.

Planificați-vă programul de lucru pentru a folosi sculele cu număr mare de vibrații de-a lungul a mai multe zile.

## PROTECȚIA MEDIULUI ÎNCONJURĂTOR



Deșeurile produselor electrice nu se vor arunca împreună cu deșeurile menajere. Reciclați acolo unde există instalații de reciclare. Consultați autoritățile locale sau vânzătorul pentru recomandări privind reciclarea.

# DECLARAȚIE DE CONFORMITATE

Noi,  
Positec Germany GmbH  
Postfach 680194, 50704 Cologne, Germany

În numele Positec declarăm că produsul  
Descriere **Trimmer pentru gard viu, cu acumulator**  
Tip **KC201 KC201.X (201-denumirea echipamentului, reprezentativă pentru trimmerul pentru gard viu)**  
Funcție **Tunderea gardului viu și a tufișurilor**

Este conform cu următoarele Directive,  
**2006/42/EC, 2014/30/EU, 2011/65/EU & (EU)2015/863, 2000/14/EC modificată prin 2005/88/EC**

2000/14/EC modificată prin 2005/88/EC:  
- Procedură de evaluare a conformității conformă cu Annex V  
- Nivel de putere sonoră măsurat 95.48 dB (A)  
- Nivel de putere sonoră garantat declarat 96.45 dB (A)

Organismul notificat implicat  
**EN 62841-1, EN 62841-4-2, EN ISO 3744, EN IEC 55014-1, EN IEC 55014-2, EN IEC 63000**

Persoana autorizată să compileze fișierul tehnic,  
**Name Marcel Filz**  
**Address Positec Germany GmbH**  
**Postfach 680194, 50704 Cologne, Germany**



2024/06/19  
Allen Ding  
Adjunct Inginer șef, Testare și certificare  
Positec Technology (China) Co., Ltd  
18, Dongwang Road, Suzhou Industrial Park, Jiangsu 215123, P. R. China

RO

# SPIS TREŚCI

|                              |     |
|------------------------------|-----|
| Wprowadzenie.....            | 124 |
| Lista komponentów.....       | 125 |
| Bezpieczeństwo produktu..... | 126 |
| Montaż i obsługa.....        | 130 |
| Transport.....               | 133 |
| Konserwacja.....             | 133 |
| Czyszczenie.....             | 134 |
| Sk adowanie.....             | 134 |
| Rozwiązywanie problemów..... | 135 |
| Dane techniczne.....         | 135 |
| Ochrona środowiska.....      | 137 |
| Deklaracja zgodności.....    | 137 |

## WPROWADZENIE

Drogi kliencie,

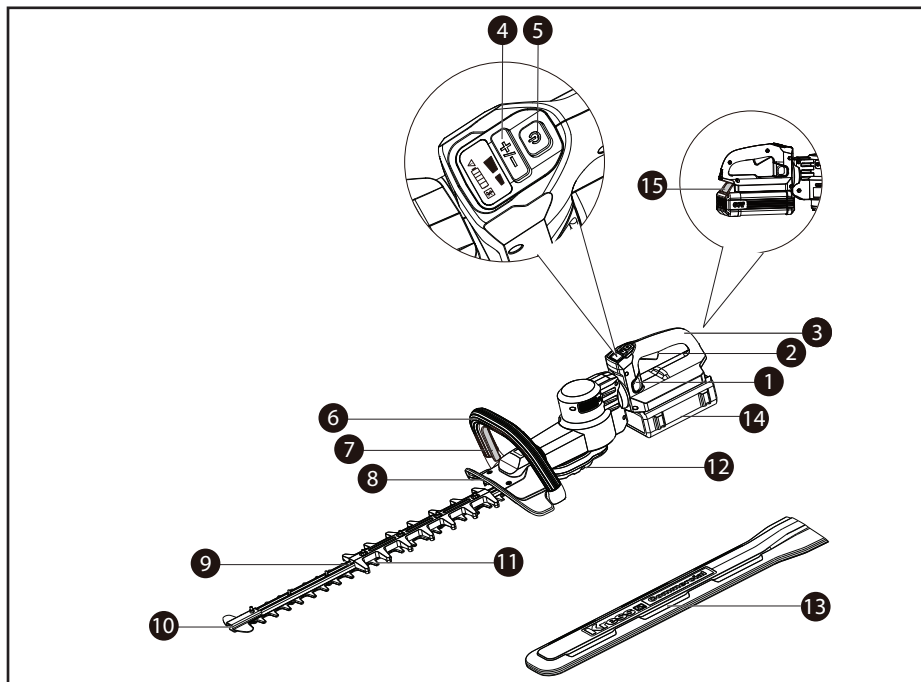
Dziękujemy za zakup produktu Kress Commercial. Jesteśmy zaangażowani w rozwój wysokiej jakości produktów, aby spełnić Państwa wymagania dotyczące komercyjnej architektury krajobrazu.

Marka Kress jest synonimem najwyższej jakości usług. Przez lata eksploatacji produktu, w razie jakichkolwiek pytań lub wątpliwości jego dotyczących, prosimy o kontakt ze sprzedawcą lub naszym Działem Obsługi Klienta w celu uzyskania pomocy.

Jesteśmy przekonani, że będą Państwo cieszyć się pracą z produktem Kress przez wiele lat.

## UŻYCIĘ ZGODNE Z PRZEZNACZENIEM

Maszyna przeznaczona jest do cięcia i przycinania żywoplotów i krzewów w lekkim i ciężkim użytku komercyjnym.



## LISTA KOMPONENTÓW

- |     |   |
|-----|---|
| 1.  | <b>PRZEŁĄCZNIK BLOKUJĄCY OBRÓT UCHWYTU TYLNEGO</b>                          |
| 2.  | <b>SPUST PRZEPUSTNICY</b>   |
| 3.  | <b>UCHWYT TYLNY OBROTOWY</b>  |
| 4.  | <b>PRZYCIŚK REGULACJI PRĘDKOŚCI</b>   |
| 5.  | <b>WŁĄCZNIK/WYŁĄCZNIK</b>   |
| 6.  | <b>UCHWYT PRZEDNI</b>   |
| 7.  | <b>PRZEŁĄCZNIK OBECNOŚCI OPERATORA (FUNKCJA PRZEŁĄCZNIKA UNIWERSALNEGO)</b> |
| 8.  | <b>OSŁONA OCHRONNA</b>  |
| 9.  | <b>OSTRZE</b>   |
| 10. | <b>OCHRONIACZ KOŃCÓWKI</b>  |
| 11. | <b>TYLNA OSŁONA OSTRZA</b>  |
| 12. | <b>METALOWA SKRZYŃKA PRZEKŁADNIOWA</b>                                      |
| 13. | <b>OSŁONA OSTRZA</b>  |
| 14. | <b>ZESTAW BATERII *</b>   |
| 15. | <b>PRZYCIŚK ZWALNIAJĄCY AKUMULATORA</b>                                     |

\* Nie wszystkie pokazane na ilustracji akcesoria są dostarczane standardowo.

# INSTRUKCJA ORYGINALNA BEZPIECZEŃSTWO PRODUKTU OGÓLNE OSTRZEŻENIA DOTYCZĄCE BEZPIECZEŃSTWA PODCZAS PRACY Z ELEKTRONARZĘDZIAMI



**OSTRZEŻENIE** Przeczytaj wszystkie ostrzeżenia, instrukcje, ilustracje i specyfikacje dostarczone z elektronarzędziem. Niestosowanie się do podanych wskazówek może spowodować porażenie prądem, pożar i / lub ciężkie obrażenia ciała. **Należy dobrze przechowywać te przepisy.** Użyte w dalszej części pojęcie „elektronarzędzie” odnosi się do elektronarzędzi napędzanych prądem (z kablem zasilającym) i do elektronarzędzi napędzanych akumulatorami (bez kabla zasilającego).

## 1) Miejsce pracy

- a) Miejsce pracy należy utrzymywać w czystości i dobrze oświetlone.** Nieporządek i nie oświetlane zakresy pracy mogą doprowadzić do wypadków.
- b) Nie należy pracować tym narzędziem w otoczeniu zagrożonym wybuchem, w którym znajdują się np. łatwopalne ciecze, gazy lub pyły.** Elektronarzędzia wywołują iskry, które mogą podpalić ten pył lub parę.
- c) Elektronarzędzie trzymać podczas pracy z daleka od dzieci i innych osób.** Przy odwróceniu uwagi można stracić kontrolę nad narzędziem.

## 2) Bezpieczeństwo elektryczne

- a) Wtyczka urządzenia musi pasować do gniazda. Nie wolno zmieniać wtyczki w jakikolwiek sposób. Nie należy używać wtyczek adapterowych razem z uziemionymi narzędziami.** Niezmienione wtyczki i pasujące gniazda zmniejszają ryzyko porażenia prądem.
- b) Należy unikać kontaktu z uziemionymi powierzchniami jak rury, grzejniki, piece i lodówki.** Istnieje zwiększone ryzyko porażenia prądem, gdy Państwa ciało jest uziemione.
- c) Nie obsługuj urządzenia w deszczu ani wilgoci. Może to zwiększyć ryzyko porażenia prądem.** Po zamoczeniu w deszczu podczas pracy, urządzenie i akumulator powinny być wysuszone przed przechowywaniem lub ładowaniem. Wyjmij akumulator i włóż go ponownie, jeśli urządzenie

nie będzie się włączać. Utrzymuj połączenie akumulatora wolne od brudu i zanieczyszczeń i czyścić je miękką i suchą szmatką lub szmatką.

- d) Nigdy nie należy używać kabla do innych czynności. Nigdy nie używać kabla do noszenia urządzenia za kabel, zawieszania lub do wyciągania wtyczki z gniazda. Kabel należy trzymać z daleka od wysokich temperatur, oleju; ostrych krawędzi lub ruchomych części urządzenia.** Uszkodzone lub poplątane kable zwiększają ryzyko porażenia prądem.
- e) W przypadku, że elektronarzędziem pracuje się na świeżym powietrzu należy używać kabla przedłużającego, który dopuszczony jest do używania na zewnątrz. Użycie dopuszczonego do używania na zewnątrz kabla przedłużającego zmniejsza ryzyko porażenia prądem.**
- f) Jeśli nie można uniknąć posługiwania się elektronarzędziem w miejscu o dużej wilgotności należy użyć zabezpieczonego zasilacza domowego (RCD). Stosowanie RCD zmniejsza ryzyko porażenia prądem elektrycznym.**

## 3) Bezpieczeństwo osób

- a) Należy być uważnym, zważać na to co się robi i pracę elektronarzędziem rozpoczynać z rozsądkiem. Nie należy używać urządzenia gdy jest się zmęczonym lub pod wpływem narkotyków, alkoholu lub leków.** Moment nieuwagi przy użyciu urządzenia może doprowadzić do poważnych obrażeń ciała.
- b) Należy nosić osobiste wyposażenie ochronne i zawsze okulary ochronne.** Noszenie osobistego wyposażenia ochronnego jak maska przeciwpyłowa, nie ślizgające się buty robocze, hełm ochronny lub ochrona słuchu, w zależności od rodzaju i użycia elektronarzędzia zmniejsza ryzyko obrażeń ciała.
- c) Należy zapobiec przypadkowemu uruchomieniu. Przed podłączeniem do sieci zasilającej i/lub zestawu baterii, podniesieniem urządzenia i przenoszeniem urządzenia należy sprawdzić, czy przełącznik znajduje się w pozycji wyłączenia. W przypadku, że przy noszeniu urządzenia trzyma się palec na włączniku/wyłączniku lub włączone urządzenie podłączone zostanie do prądu, to może to doprowadzić do wypadków.**
- d) Zanim urządzenie zostanie włączone należy usunąć narzędzia nastawcze lub klucze. Narzędzie lub klucz, które znajdują się w ruchomych częściach urządzenia mogą doprowadzić do obrażeń ciała.**
- e) Nie należy przeceniać swoich możliwości. Należy dbać o bezpieczną pozycję pracy i zawsze utrzymywać równowagę. Przez to możliwa jest lepsza kontrola urządzenia w nieprzewidywanych**

sytuacjach.

- f) **Należy nosić odpowiednie ubranie. Nie należy nosić luźnego ubrania lub biżuterii.** *Wystrzegaj się kontaktu włosów, części odzieży lub rękawic ochronnych z ruchomymi częściami urządzenia.*
- g) **W przypadku, że możliwe jest zamontowanie urządzeń odsysających lub podchwytyjących należy upewnić się, czy są one właściwie podłączone i prawidłowo użyte.** *Użycie tych urządzeń zmniejsza zagrożenie spowodowane pyłami.*
- h) **Częste używanie urządzenia i rutyna może osłabić twoją uwagę i być przyczyną niedotrzymywania zasad bezpieczeństwa.** *Nieuważne działanie może spowodować poważne szkody w ułamku sekundy.*
- 4) **Staranne obcowanie oraz użycie elektronarzędzi**
- a) **Nie należy przeciążać urządzenia. Do pracy używać należy elektronarzędzia, które jest do tego przewidziane.** *Odpowiednim narzędziem pracuje się lepiej i bezpieczniej w podanym zakresie sprawności.*
- b) **Nie należy używać elektronarzędzia, którego włącznik/wyłącznik jest uszkodzony.** *Elektronarzędzie, którego nie można włączyć lub wyłączyć jest niebezpieczne i musi zostać naprawione.*
- c) **Przed przystąpieniem do wykonywania jakichkolwiek regulacji, ustawień wymiany osprzętu lub składowania urządzenia należy odłączyć wtyczkę od źródła zasilania i/lub wyjąć akumulator.** *Ten środek ostrożności zapobiega niezamierzonemu włączeniu się urządzenia.*
- d) **Nie używane elektronarzędzia należy przechowywać poza zasięgiem dzieci. Nie należy dać narzędzia do użytku osobom, które jego nie znają lub nie przeczytały tych przepisów.** *Używane przez niedoświadczonych osoby elektronarzędzia są niebezpieczne.*
- e) **Dotrzymuj regularnego wykonywania konserwacji urządzenia i osprzętu. Należy kontrolować, czy ruchome części urządzenia funkcjonują bez zarzutu i nie są zablokowane, czy części nie są pęknięte lub uszkodzone, co mogłoby mieć wpływ na prawidłowe funkcjonowanie urządzenia. Uszkodzone części należy przed użyciem urządzenia oddać do naprawy.** *Wiele wypadków spowodowanych jest przez niewłaściwą konserwację elektronarzędzi.*
- f) **Narzędzia tnące należy utrzymywać ostre i czyste.** *Starannie pielęgnowane narzędzia tnące z ostrymi krawędziami tnącymi zablokują się rzadziej i łatwiej się je prowadzi.*
- g) **Elektronarzędzia, osprzęt, narzędzia itd. należy używać odpowiednio do tych przepisów i tak, jak jest to przewidziane dla tego specjalnego typu urządzenia. Uwzględnić należy przy tym warunki pracy i czynność do wykonania.** *Użycie elektronarzędzi do innych niż przewidziane prace może doprowadzić do niebezpiecznych sytuacji.*
- h) **Uchwyty oraz powierzchnie elementów obsługi urządzenia utrzymywać suche, czyste, bez oleju i smaru.** *Śliskie uchwyty oraz inne powierzchnie stanowią przeszkodę w bezpiecznej obsłudze i kontroli nad narzędziem w nieoczekiwanych sytuacjach.*
- 5) **Staranne użytkowanie elektronarzędzi napędzanych akumulatorami**
- a) **Akumulatory należy ładować tylko w ładowarkach, które poleci producent.** *Dla ładowarki, która nadaje się do ładowania określonych akumulatorów istnieje niebezpieczeństwo pożaru, gdy użyte zostaną inne akumulatory.*
- b) **Do elektronarzędzi należy używać jedynie przewidzianych do tego akumulatorów.** *Użycie innych akumulatorów może doprowadzić do obrażeń ciała i niebezpieczeństwa pożaru.*
- c) **Nie używany akumulator należy trzymać z daleka od spinaczy, monet, kluczy, gwoździ, śrub lub innych małych przedmiotów metalowych, które mogłyby spowodować zmostkowanie kontaktów.** *Zwarcie pomiędzy kontaktami akumulatora może spowodować oparzenia lub pożar.*
- d) **Przy niewłaściwym użyciu możliwe jest wydostanie się cieczy z akumulatora. Należy unikać kontaktu z nią. Przy przypadkowym kontakcie spłukać wodą.** *W przypadku, że ciecz dostała się do oczu należy dodatkowo skonsultować się z lekarzem. Ciecz akumulatorowa może doprowadzić do podrażnienia skóry lub oparzeń,*
- e) **Zabrania się używania uszkodzonego lub zmodyfikowanego akumulatora lub urządzenia.** *Uszkodzone lub zmodyfikowane akumulatorki mogą działać w nieoczekiwany sposób wywołując pożar, eksplozję lub zagrożenie zranienia osób.*
- f) **Zabrania się wystawiania akumulatora lub urządzenia na działanie ognia lub podwyższonej temperatury.** *Działanie ognia lub temperatury przekraczającej 130 °C może spowodować eksplozję.*
- g) **Kierować się instrukcjami dotyczącymi sposobu ładowania, nie wystawiać akumulatora na działanie temperatury poza zakresem podanym w instrukcji obsługi.** *Niewłaściwy sposób ładowania akumulatora lub działanie temperatury poza zakresem podanym w instrukcji, może być przyczyną uszkodzenia*

akumulatora lub nastanie podwyższonego ryzyka wybuchu pożaru.

## 6) Serwis

- a) **Naprawę urządzenia należy zlecić jedynie kwalifikowanemu fachowcowi i przy użyciu oryginalnych części zamiennych.** *To gwarantuje, że bezpieczeństwo urządzenia zostanie zachowane.*
- b) **Zabrania się dokonywania naprawy uszkodzonego akumulatora.** *Naprawę akumulatora może wykonywać wyłącznie producent lub autoryzowany punkt serwisowy.*

## OSTRZEŻENIA PRZY UŻYTKOWANIU NOŻYC DO ŻYWOPŁOTU:

- a) **Nie używaj nożyc w trudnych warunkach pogodowych, zwłaszcza wtedy, gdy istnieje ryzyko wyładowań atmosferycznych.** *W ten sposób zmniejsza się ryzyko porażenia przez piorun.*
- b) **Przewody zasilające i kable utrzymuj z dala od miejsca strzyżenia.** *Przewody lub kable zasilające mogą kryć się w żywopłocie lub krzakach i klinga może przypadkowo je przeciąć.*
- c) **Noszenie ochrony słuchu.** *Odpowiedni sprzęt ochronny zmniejszy ryzyko utraty słuchu.*
- d) **Jeśli narzędzie tnące może mieć kontakt z ukrytym okablowaniem, podczas działania narzędzie należy trzymać za izolowane powierzchnie.** *Kontakt z 'aktywnym' okablowaniem może także spowodować obnażenie metalowych elementów i porażenie operatora prądem elektrycznym.*
- e) **Nie zbliżać żadnej części ciała do ostrzy. Gdy ostrza są ruchu nie należy usuwać obciętych kawałków krzaków ani też ich przytrzymywać.** *Klingi poruszają się w dalszym ciągu po wyłączeniu wyłącznika. Chwila nieuwagi podczas używania nożyc do żywopłotu może spowodować poważne obrażenia.*
- f) **Usuwać zakleszczony materiał lub serwisując urządzenie dbaj o wyłączenie wyłączników oraz o wyjęcie lub odłączenie pakietu baterii.** *Nieoczekiwane uruchomienie nożyc podczas czyszczenia lub serwisowania może powodować poważne obrażenia osobiste.*
- g) **Przenieść nożyce trzymając za uchwyt, i z zatrzymanymi ostrzami i dbaj o to, by nie uruchamiać włącznika zasilania.** *Właściwe obchodzenie się z nożycami do żywopłotu redukuje ryzyko pokaleczeniem się ostrzami.*
- h) **Do transportu lub złożenia nożyc zawsze zakładaj pokrywę klingi.** *Właściwa manipulacja nożycami do strzyżenia zmniejsza ryzyko obrażeń osobistych ze strony*

*klingi.*

- i) **Sprawdzić żywoplot pod kątem obcych przedmiotów, np. drucianych siatek i ukrytych przewodów.**
- j) **Trzymaj nożyce odpowiednio, tzn. obiema rękami, jeżeli istnieją dwa uchwyty.**
- k) **Nożyce są przeznaczone do użycia przez operatora n poziomi gruntu, a nie na drabinach ani innym niestabilnym podparciu.**
- l) **Przed uruchomieniem nożyc użytkownik winien zadbać o to, by ewentualnie istniejące blokady elementów ruchomych (np. wydłużony wał, element obrotowy) były w pozycji zablokowanej.**
- m) **Regulowany mechanizm ograniczający należy serwisować w regularnych cyklach.**
- n) **Nie podnoś ani nie przenoś nożyc do żywopłotu używając jednej ręki.**

## INSTRUKCJA BEZPIECZEŃSTWA DOTYCZĄCA MODUŁU AKUMULATORA

- a) **Nie demontuj, nie otwieraj lub nie niszczyć ogniw pomocniczych lub modułu akumulatora.**
- b) **Nie zwieraj ogniwa lub modułu akumulatora. Nie przechowuj ogniw lub modułu akumulatora w sposób bezładny w pudle lub szufladzie, gdzie mogą się wzajemnie zewrzeć lub ulec zwarciu przez inne metalowe przedmioty.** *Nie używaj akumulator trzymać z daleka od spinaczy, monet, kluczy, gwoździ, śrub lub innych małych przedmiotów metalowych, które mogłyby spowodować zmostkowanie kontaktów. Zwarcie pomiędzy kontaktami akumulatora może spowodować oparzenia lub pożar.*
- c) **Nie narażaj ogniwi lub modułu akumulatora na działanie ciepła lub ognia. Unikaj składowania w miejscach pod bezpośrednim działaniem światła słonecznego.**
- d) **Nie narażaj ogniwi lub modułu akumulatora na uderzenia mechaniczne.**
- e) **W razie wycieku z ogniwa, nie dopuść, aby płyn zetknął się ze skórą lub dostał się do oczu. Jeśli już nastąpił kontakt z płynem, przemyj skłoną powierzchnię dużą ilością wody i zwróć się o pomoc medyczną.**
- f) **Utrzymuj ogniwa i moduł akumulatora w czystości i w stanie suchym.**
- g) **Jeśli zaciski ogniwa lub akumulatora**

zostały zanieczyszczone, oczyścić je czystą i suchą szmatką.

- h) Ogniwa pomocnicze i moduł akumulatora należy przed użyciem naładować. Zawsze używaj właściwej ładowarki i przestrzegaj instrukcji ładowania zawartej w instrukcji obsługi dostarczonej przez producenta urządzenia.**
- i) Nie pozostawiaj modułu akumulatora na długie ładowanie, jeśli go nie używasz.**
- j) Po dłuższym okresie składowania może być niezbędne kilkukrotne naładowanie i rozładowanie ogniw lub modułu akumulatora, aby uzyskać optymalną wydajność.**
- k) Akumulatory należy ładować tylko w ładowarkach, które poleci producent.**
- l) Nie używaj ogniwa lub modułu akumulatora nie przeznaczonego do pracy z danym urządzeniem.**
- m) Trzymaj ogniwa i moduł akumulatora poza zasięgiem dzieci.**
- n) Zachowaj oryginalne instrukcje produktu do wglądu.**
- o) Kiedy to możliwe, wyjmuj moduł akumulatora, jeśli urządzenia się nie używa.**
- p) Zużyte ogniwa i akumulatory utylizuj zgodnie z zasadami gospodarki odpadami.**
- q) Nie używaj w urządzeniu ogniw różnych producentów, pojemności i wymiarów.**
- r) Akumulatora nie należy zbliżać do źródeł promieniowania mikrofalowego ani narażać na wysokie ciśnienie.**
- s) Ostrzeżenie! Nie używać baterii jednorazowych.**

## WYMAGANIA DLA PRODUKTU BEZPRZEWODOWEGO WEDŁUG INSTRUKCJI

- a) Działanie tego urządzenia podlega następującym dwóm warunkom:  
(1) To urządzenie nie może wytwarzać szkodliwych zakłóceń i  
(2) to urządzenie musi być odporne na odbierane zakłócenia, łączenie z tymi, które powodują niepożądane działanie.
- b) Ostrożnie: Zmiany lub modyfikacje w tym urządzeniu, które nie są jawnie zaaprobowane przez stronę odpowiedzialną za zgodność, mogą unieważnić uprawnienie użytkownika do używania sprzętu.
- c) WSKAZÓWKI: Ten sprzęt wytwarza, wykorzystuje i może promieniować energię o częstotliwości radiowej, i - o ile nie jest

zainstalowane i używane zgodnie z instrukcją - może powodować szkodliwe zakłócenia w łączności radiowej. Jednakże, nie ma gwarancji, że w konkretnej instalacji zakłócenia nie wystąpią. Jeżeli ten sprzęt powoduje szkodliwe zakłócenia w odbiorze radiowym lub telewizyjnym, co można ustalić wyłączając i włączając go, zachęca się użytkownika do próby skorygowania problemu przez jeden z następujących środków:

- Reorientacja lub relokacja anteny odbiorczej.
- Zwiększenie odstępów między sprzętem i odbiornikiem.
- Podłączenie sprzętu do gniazdka w innym obwodzie niż ten, z którym połączony jest odbiornik.
- W kwestii pomocy skonsultuj się ze sprzedawcą lub doświadczonym technikiem radiowym/TV.

## SYMBOLE

|   |  |
|---|--|
|    | Aby zmniejszyć niebezpieczeństwo odniesienia obrażeń, użytkownik powinien przeczytać podręcznik z instrukcjami   |
|    | Ostrzeżenie  |
|    | Używać ochrony wzroku  |
|    | Używać ochrony słuchu  |
|  | Używać maski   |
|  | Ręce należy trzymać z dala od noża   |
|  | Należy zakładać okulary ochronne   |
|  | Nie wrzucać do ognia   |
|  | Nieprawidłowo utylizowane baterie mogą dostać się do obiegu wodnego, co jest groźne dla ekosystemu. Nie wyrzucaj baterii wraz z niesortowanymi odpadami miejskimi. |



Li-Ion



Bateria litowo-jonowa. Ten produkt oznaczono symbolem „segregacji odpadów” dla zużytych baterii i akumulatorów. Umożliwia to jego recykling i demontaż, które zmniejszają negatywny wpływ na środowisko. Pakiety akumulatorów są niebezpieczne dla środowiska i dla ludzkiego życia, gdyż zawierają niebezpieczne substancje.



Odpady wyrobów elektrycznych nie powinny być wyrzucane razem z odpadami gospodarstwa domowego. Należy korzystać z recyklingu, jeśli istnieje odpowiednia infrastruktura. Porady dotyczące recyklingu można uzyskać u władz lokalnych lub sprzedawcy detalicznego.



Przed przystąpieniem do jakiegokolwiek regulacji, serwisowania lub konserwacji należy odłączyć akumulator od przycinarki żywopłotów.

## MONTAŻ I OBSŁUGA



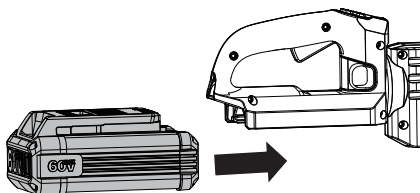
**Uwaga:** Przed użyciem narzędzia przeczytać uważnie instrukcję obsługi.



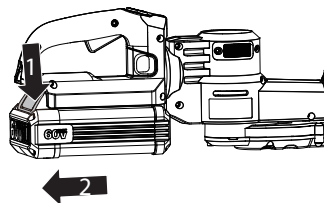
### PRZED PRACĄ:

**Montaż paska na ramię (Sprzedawany osobno) (patrz Rys. A1,A2)**

A1



A2

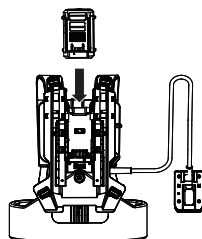


1. Wsuń pakiet akumulatora do komory akumulatora, aż usłyszysz kliknięcie.
2. Naciśnij przycisk zwalnający akumulatora, aby wyjąć go z narzędzia.

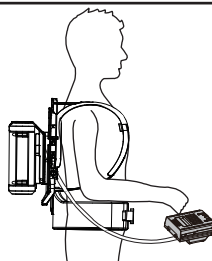
### Łączenie nożyc do żywopłotów z uprzęzą plecaka (Patrz Rys. B1,B2,B3)

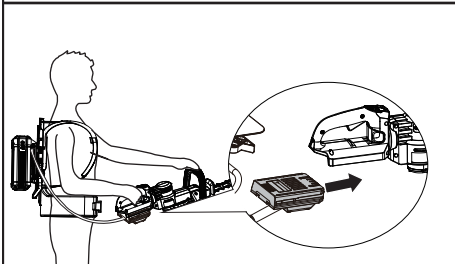
Zainstaluj pakiet baterii w uprzęży plecaka, następnie włóż wtyczkę do maszyny. Ubierz uprzęż plecaka. Dalsze szczegóły można znaleźć w podręczniku uprzęży.

B1



B2



**B3**

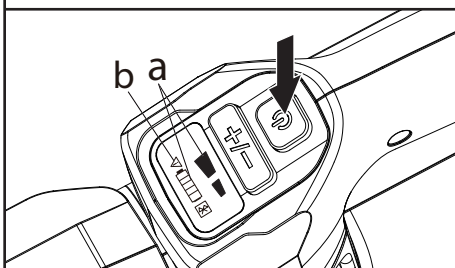
### Testowanie nożyc i akumulatora (Patrz Rys. C)

#### Sprawdzanie elementów sterujących Przednia dźwignia przełączająca i tylna dźwignia przełączająca

1. Wyjmij akumulator.
2. Naciśnij i zwolnij przednią dźwignię przełączającą i tylną dźwignię przełączającą. Jeśli tylna lub przednia dźwignia przełączająca utknęła i nie może powrócić do swojego pierwotnego położenia. Zaprzestań używania nożyc i skontaktuj się z serwisem.

#### Sprawdzanie wyświetlacza

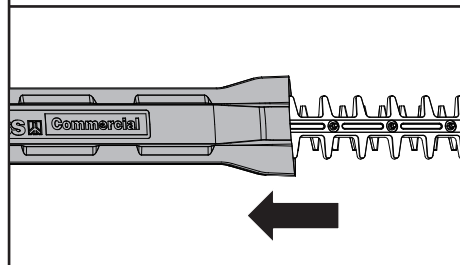
1. Włóż akumulator.
2. Przytrzymaj i naciśnij włącznik/wyłącznik. Produkt jest włączony, gdy świeci się LED (a). Produkt jest wyłączony, gdy dioda LED (a) jest wyłączona.
3. Jeśli wskaźnik ostrzegawczy (b) świeci się lub miga, zapoznaj się z częścią Rozwiązywanie problemów, aby znaleźć rozwiązanie.
4. Naciśnij przednią dźwignię przełączającą, a następnie naciśnij tylną dźwignię przełączającą, aby uruchomić maszynę.
5. Zwolnij tylną dźwignię przełączającą. Nożyce wstrzymają pracę. Jeśli nożyc nie można zatrzymać, wyjmij akumulator i skontaktuj się z serwisem.

**C**

## DZIAŁANIE

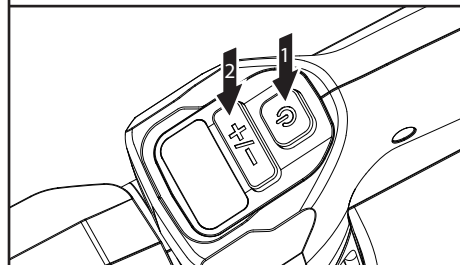
### Uruchamianie & Zatrzymywanie

Przed użyciem zdejmij najpierw osłonę klingi. (Patrz Rys. D1)

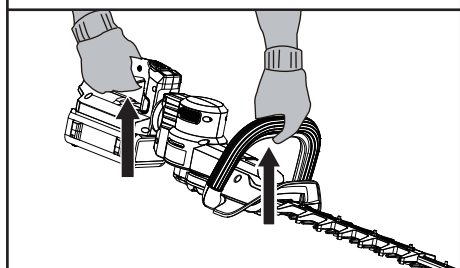
**D1**

### Wybór prędkości

1. Naciśnij włącznik/wyłącznik.
2. Naciśnij przycisk regulacji prędkości, aby wybrać żądaną prędkość. (Patrz Rys. D2)

**D2**

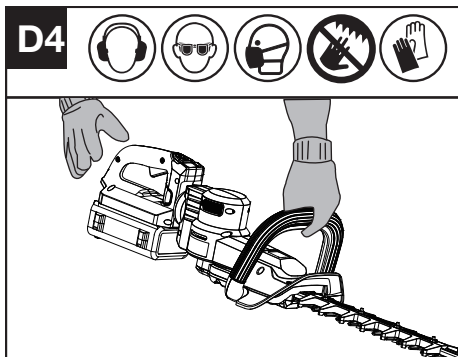
Naciśnij przednią dźwignię przełączającą i tylną dźwignię przełączającą, aby rozpocząć pracę. (Patrz Rys. D3)

**D3**

Aby zatrzymać, zwolnij dźwignię przełącznika

PL

czołowego i tylnego. (Patrz Rys. D4)



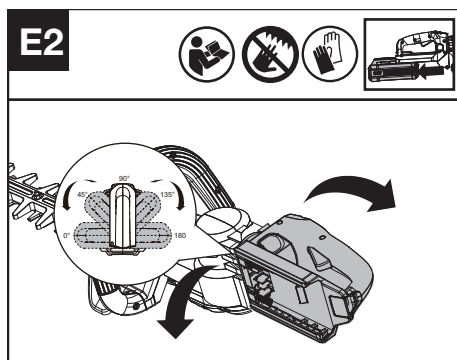
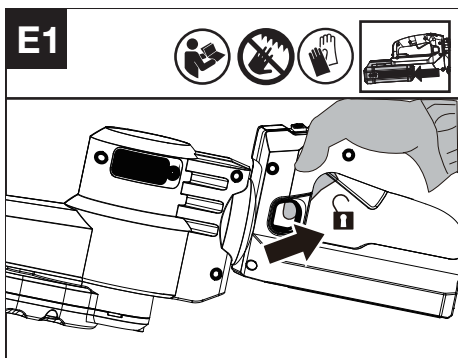
Gdy maszyna nie jest używana, wyłącz ją i odłącz od uprząży plecaka.

### Uchwyt tylny obrotowy (Patrz Rys. E1, E2)

**UWAGA:** Przed zamiarem obrócenia uchwytu należy odblokować przełącznik blokujący. Po wykonaniu obrócenia uchwytu do wymaganej pozycji, lekko wyregulować jego pozycję do momentu usłyszenia kliknięcia.

#### **OSTRZEŻENIE:**

Przed przystąpieniem do eksploatacji urządzenia należy zawsze skontrolować czy uchwyt został ustalony/zablokowany w wymaganej pozycji. Przed uruchomieniem nożyc do żywopłotu, zawsze upewnij się, że przełącznik blokujący jest zablokowany. Zabrania się obracania z uchwytem podczas pracy przycinarki.



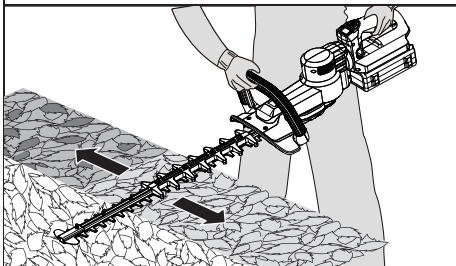
### Użytkowanie nożyc

Przed przystąpieniem do przycinania należy sprawdzić obszar i usunąć wszelkie obce przedmioty, które mogłyby zostać zaplątane w ostrza. Przed włączeniem nożyc należy zawsze ująć oburącz, z ostrzem skierowanym od siebie. Podczas cięcia młodych roślin należy przykładać nożyce szerokim, zamaszystym ruchem, aby gałęzie natrafiały bezpośrednio na ostrze. Przed rozpoczęciem cięcia należy poczekać, aż ostrza rozpędzą się do maksymalnej prędkości roboczej. Podczas pracy należy zawsze oddalać się od osób postronnych i twardych przedmiotów, takich jak ściany, duże kamienie, drzewa, pojazdy, itp. Jeżeli ostrze zakleszczy się, należy natychmiast zatrzymać nożyce. Następnie należy odłączyć ją od sieci zasilającej i oczyścić ostrze z zakleszczonych pozostałości materiału ciętego. Podczas cięcia kolczastych lub ciernistych roślin należy nosić rękawice ochronne. Nie wolno próbować ciąć zbyt grubych gałęzi.

### Przycinanie górnych gałęzi (Patrz Rys. F)

Nożyce należy prowadzić szerokim, zamaszystym ruchem. Lekkie pochylenie ostrza w dół zgodnie z kierunkiem cięcia daje najlepsze wyniki.

**OSTRZEŻENIE:** Zabrania się używania urządzenia jeżeli brakuje części urządzenia, urządzenie jest uszkodzone lub zepsute. Nie używać nożyc do cięcia roślin, jeżeli wszystkie uszkodzone części nie zostały wymienione lub naprawione. Niespełnienie tego warunku może spowodować poważne uszkodzenia ciała. **NIE WOLNO UŻYWAĆ NOŻYC BEZ ZAMONTOWANEJ OSŁONY OCHRONNEJ I UCHWYTU PRZEDNIEGO.**

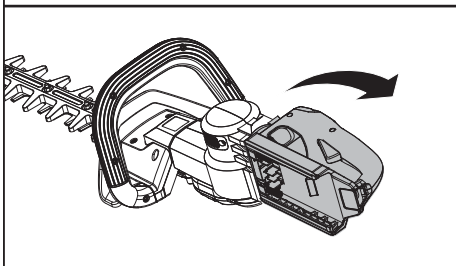
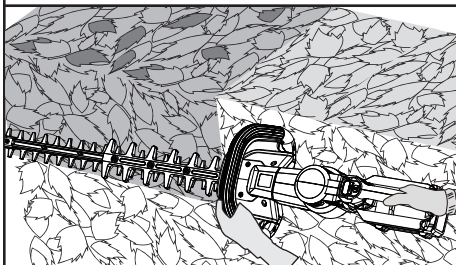
**F**

### Przycinanie boków (Patrz Rys. G1, G2)

Podczas przycinania boków żywopłotu należy zacząć ciąć od dołu i posuwać się w górę, zwiężając żywopłot ku górze. Taki kształt odśloni więcej gałęzi i zapewni bardziej równomierny wzrost żywopłotu.



**OSTRZEŻENIE:** Przed obróceniem rękojeści należy wyłączyć przycinarkę.

**G1****G2**

## TRANSPORT

### Transportowanie podkaszarki

1. Wyłącz podkaszarkę i wyjmij akumulator.
2. Gdy transportujesz podkaszarkę ręcznie, trzymaj wał w połowie długości z głowicą tnącą zwróconą w tył, aby mieć pewność, że maszyna jest równolegle do gruntu.
3. Transportując podkaszarkę w pojeździe, zabezpiecz i ustaw ją tak, by uchronić ją przed przewróceniem lub uszkodzeniem.

### Transportowanie akumulatora

1. Zadbaj o to, by akumulator był w bezpiecznych warunkach.
2. Do transportu akumulatora korzystaj z nieprzewodzącego opakowania.
3. Akumulatory litowo-jonowe będące na wyposażeniu podlegają wymogom przepisów o towarach niebezpiecznych. Transportuj akumulatory tylko wtedy, gdy obudowa nie jest uszkodzona. Pakuj akumulatory tak, by nie mogły obracać się wokół w opakowaniu.

## KONSERWACJA



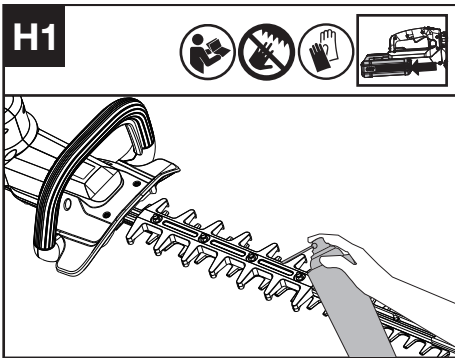
**OSTRZEŻENIE!** Zawsze wyjmij akumulator przed przeprowadzeniem jakichkolwiek czynności konserwacyjnych nożyc.

**Przed przystąpieniem do jakiegokolwiek regulacji, serwisowania lub konserwacji należy odłączyć akumulator od przycinarki żywopłotów.**

W narzędziu nie ma żadnych części, które wymagałyby serwisowania przez użytkownika. Nigdy nie należy używać wody czy środków czyszczących do czyszczenia narzędzia z napędem elektrycznym. Czyścić suchą szmatką. Zawsze należy przechowywać narzędzie w suchym miejscu. Utrzymywać w czystości otwory wentylacyjne silnika. Utrzymywać wszystkie urządzenia sterujące w czystości. W otworach wentylacyjnych mogą pojawiać się iskry, jest to normalne i nie spowoduje uszkodzenia narzędzia.

### Smarowanie ostrza (Patrz Rys. H1)

**UWAGA:** Aby uniknąć uszkodzenia ostrza, należy używać wyłącznie zalecanego smaru (WD-40).

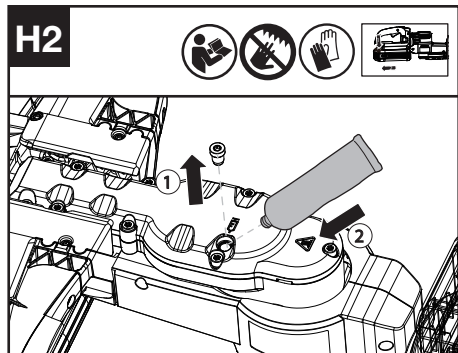


## Smarowanie skrzynki przekładniowej (Patrz Rys. H2)

Wymij śrubę zatyczkową z obudowy przekładni. Smarowanie skrzyni przekładni przez otwór olejowy co 50 godzin pracy.

Wymij śruby z pokrywy skrzyni przekładniowej i zdejmij pokrywę. Smarowanie co 300 godzin pracy.

**UWAGA:** Dla najlepszych efektów i dłuższej trwałości smaruj skrzynię przekładniową nożyc smarem (SHELL Gadus S2 V220 1).



## OSTRZENIE

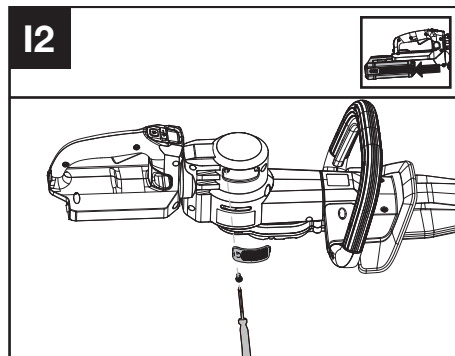
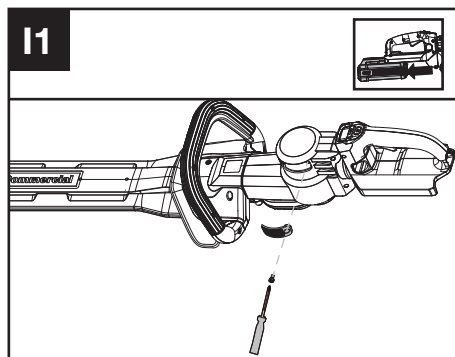
**!** **OSTRZEŻENIE:** Nie używaj maszyny ze stępionymi lub uszkodzonymi klingami, co może powodować przeciążenie i niezadawalającą skuteczność. W miarę pogarszającej się skuteczności ostrz klingę. Gdy wydajność cięcia zaczyna się pogarszać, należy oddać ostrze do profesjonalnego ostrzenia. Podczas obsługi ostrza nożyc należy zawsze nosić rękawice ochronne i ostrzyć tylko krawędź tnącą. Ostrz tylko krawędź tnącą. Nie szlifuj tępych części wystających ani osłony. Używaj tylko osełki do usuwania pozostałości z krawędzi tnącej. Po ostrzeniu usuń kurz z klingi.

## Czyszczenie filtra powietrza (Patrz Rys. I1, I2)

1. Oczyszczyć obszar wokół filtra powietrza. Użyj

wilgotnej szmatki lub miękkiej szczotki.

2. Odkręć i wyjmij filtr powietrza.
3. Umyj filtr powietrza pod bieżącą wodą, aby usunąć zanieczyszczenia.
4. Pozostaw filtr powietrza do wyschnięcia na powietrzu. Następnie ponownie zamontuj go w budowie dokręcając śrubę.



## CZYSZCZENIE

1. Wyłącz nożyce i wyjmij akumulator.
2. Nie używaj agresywnych detergentów ani rozpuszczalników. Czyść urządzenie po użyciu wilgotną szmatką zanurzoną w łagodnym detergencie.
3. Utrzymuj połączenie baterii wolne od brudu i zanieczyszczeń i czyść je miękką i suchą szczotką lub szmatką.
4. Silnika ani części elektrycznych nie spryskuj wodą.
5. Nie używaj myjek ciśnieniowych do czyszczenia maszyny.

## ZŁOŻENIE

1. Wymij akumulator z nożyc przed ich schowaniem.
2. Przechowuj nożyce i akumulator w suchym i bezpiecznym miejscu, niedostępnym dla dzieci i

innych nieupoważnionych osób.

- Akumulator należy przechowywać wyłącznie w zakresie temperatur od 41°F (5°C) do 77°F (25°C). Jako przykład można podać, że nie należy zostawiać akumulatora w samochodzie w okresie letnim.
- Po zamoczeniu w deszczu podczas pracy, urządzenie i akumulator powinny być wysuszone przed przechowywaniem lub ładowaniem. Wyjmij akumulator i włóż go ponownie, jeśli urządzenie nie będzie się włączać.


## ZALECENIA DLA NARZĘDZI AKUMULATOROWYCH

Zalecany zakres temperatury otocznicy wynosi -20°C~45°C (-4°F~113°F).

Zalecany zakres temperatury otoczenia dla systemu ładowania, podczas jego ładowania, wynosi od -5°C~45°C (23°F~113°F).

## ROZWIĄZYWANIE PROBLEMÓW

W poniższej tabeli podane są usterki i sposób ich usuwania, który wykonać można kiedy urządzenie nie działa poprawnie.

 **Ostrzeżenie: Przed wykonaniem jakiegokolwiek usuwania usterki zawsze najpierw wyłączyć urządzenie i wyjąć z niego baterię.**

### PODKASZARKA

| Problemy                       | Możliwe przyczyny            | Działania naprawcze  |
|--------------------------------|------------------------------|--|
| Wskaźnik LED akumulatora miga  | Niskie napięcie akumulatora. | Doładuj akumulator.  |
| Czerwona lampka LED błędu miga | Przeciążenie.                | Nasadka tnąca jest zakleszczona. Dezaktywuj produkt. Wyjmij akumulator. Oczyszcz nasadkę tnącą z niepożądanych materiałów. |
|                                | Kwestia temperaturowa.       | Pozostaw produkt do ostygnięcia.   |
|                                | Inne problemy                | Skontaktuj się z przedstawicielem serwisowym   |


|                                   |   |   |
|-----------------------------------|---|---|
| Produkt się nie uruchamia         | Śmieci na stykach akumulatora.                  | Oczyść styki akumulatora sprężonym powietrzem lub miękką szczotką.  |
|                                   | Inne problemy                                   | Skontaktuj się z przedstawicielem serwisowym.                       |
| Podkaszarka działa nieregularnie. | Akumulator nie jest w pełni włożony do maszyny. | Włóż całkowicie akumulator.   |
|                                   | Potencjalne nadużycie elektryczne.              | Skontaktuj się z przedstawicielem serwisowym.                       |
| Nadmierne wibracje/ hałas.        | Kwestia nasadki tnącej. Uszkodzone urządzenie.  | Wymień nasadkę tnącą. Skontaktuj się z przedstawicielem serwisowym. |

### AKUMULATOR

| Problemy         | Możliwe przyczyny      | Działania naprawcze  |
|------------------|------------------------|--|
| Lampka LED błędu | Akumulator rozładowany | Doładuj akumulator. Jeżeli akumulator nie ładuje się, skontaktuj się z przedstawicielem serwisowym.  |
|                  | Kwestia temperaturowa. | Akumulator używaj w warunkach, gdzie temperatury są od -5°C do 45°C (23°F do 113°F) dla ładowania; -20°C do 45°C (-4°F do 113°F) dla rozładowania. |
|                  | Inne                   | Skontaktuj się z przedstawicielem serwisowym.  |

## DANE TECHNICZNE

Typ: **KC201 KC201.X (201- oznaczenie urządzenia, odpowiednie dla nożyc do żywopłotu)**

|                       | KC201 KC201.X**  |
|-----------------------|--|
| Napięcie              | 60 V  MAX *** |
| Prędkość cięcia       | 4400/5000 SPM  |
| Długość ostrza        | 63 cm (25")  |
| Odstępy między zębami | 30 mm (1.18 inch)  |

|                       |                  |
|-----------------------|------------------|
| Stopień ochrony       | IPX4             |
| Masa (Gołe narzędzie) | 3.8 kg (8.3 lbs) |

\*\* X = 1-999, A-Z, M1-M9 są tylko dla różnych klientów, nie ma żadnych zmian związanych z bezpieczeństwem między tymi modelami.

\*\*\* Napięcie mierzone bez obciążenia. Początkowe napięcie akumulatora osiąga maksymalną wartość 60 V. Napięcie nominalne wynosi 54 V.

## ZALECANE AKUMULATORY I ŁADOWARKI

| Akumulatorki                    | Pojemność | Ładowarki | Amperage |
|---------------------------------|-----------|-----------|----------|
| KAC800                          | 4 Ah      | KAC840    | 30 A     |
| KAC810<br>(Z uprzęzą plecakową) | 11 Ah     |           |          |
| KA3000                          | 2.0 Ah    |           |          |

Zalecamy zakup akcesoriów z tego samego sklepu, który sprzedał Ci narzędzie. Więcej informacji można znaleźć na opakowaniu akcesoriów. Personel sklepu może pomóc i zaoferować porady.

## DANE TECHNICZNE AKUMULATORA (OPCJONALNIE)

|   |                 |
|---|-----------------|
| Pasma częstotliwości dla Bluetooth      | 2400-2483.5 MHz |
| Maksymalna moc przesyłana dla Bluetooth | 8 dBm           |

## DANE DOTYCZĄCE HAŁASU

|                             |                                |
|-----------------------------|--------------------------------|
| Ważone ciśnienie akustyczne | $L_{pA} = 87.48 \text{ dB(A)}$ |
| $K_{pA}$                    | 3.0 dB(A)                      |
| Ważona moc akustyczna       | $L_{wA} = 95.48 \text{ dB(A)}$ |
| $K_{wA}$                    | 0.97 dB(A)                     |

**Używać ochrony słuchu**



## INFORMACJE DOTYCZĄCE DRGAŃ

Łączna wartość drgań (suma wektora triax) określona według normy EN 62841:

|                        |  |
|------------------------|--|
| Typowa wibracja ważona | Tył: $a_h = 2.42 \text{ m/s}^2$<br>Przód: $a_h = 2.50 \text{ m/s}^2$ |
| Niepewność             | Tył: $K = 1.5 \text{ m/s}^2$<br>Przód: $K = 1.5 \text{ m/s}^2$       |

Deklarowana wartość całkowita drgań oraz deklarowanych wartości emisji hałasu zostały zmierzone zgodnie ze standardową metodą wykonywania badań i mogą być stosowane do porównywania właściwości różnych urządzeń. Deklarowana wartość całkowita drgań i zadeklarowana wartość emisji hałasu może być zastosowana również do wstępnej oceny zagrożenia.

**! OSTRZEŻENIE:** Wibracje oraz emisja hałasu podczas rzeczywistego użytkowania elektronarzędzia może się różnić od podanej wartości, w zależności od sposobu używania urządzenia, przede wszystkim od typu obrabianego materiału i możliwości korzystania z urządzenia:

Jak używane jest narzędzie oraz, czy materiał jest cięty czy wiercony.

Czy narzędzie jest w dobrym stanie i czy jest prawidłowo konserwowane.

Czy używane są prawidłowe akcesoria narzędzia i czy narzędzie jest właściwie naostrzone oraz w dobrym stanie.

Czy zastosowano elementy poprawiające przyleganie uchwytów oraz elementy do wyeliminowania wszelkich drgań i hałasu urządzenia.

Oraz, czy narzędzie jest używane zgodnie z przeznaczeniem i według instrukcji.

**Niepawidłowe prowadzenie tego narzędzia może spowodować syndrom wibracji rąk.**

**! OSTRZEŻENIE:** W szczególności, oszacowanie poziomu ekspozycji w rzeczywistych warunkach używania powinno brać także pod uwagę wszystkie elementy cyklu działania, takie jak czasy wyłączenia narzędzia i czas bezczynności, ale nie rzeczywiste wykonywaną pracę. Może to znacznie zmniejszyć poziom ekspozycji w całym okresie pracy.


Pomaga zminimalizować ryzyko występowania drgań i podwyższonego poziomu hałasu.

Należy ZAWSZE używać ostrych dłut, wiertel i ostrzy. Narzędzie należy konserwować zgodnie z instrukcjami i prawidłowo smarować (w odpowiednich miejscach).

Jeżeli urządzenie będzie stosowane regularnie zaleca się wyposażyć urządzenie w wyposażenie eliminujące wibracje i hałas.

Należy zaplanować harmonogram pracy w celu rozłożenia używania narzędzi wytwarzających wysoki poziom drgań na kilka dni.

# ZASADY OCHRONY ŚRODOWISKA

 Nie wolno mieszać zużytych urządzeń elektrycznych z innymi odpadami domowymi. Należy je oddawać do recyklingu tam, gdzie istnieją odpowiednie zakłady bądź punkty zdawania odpadów. Porady w tym zakresie można zasięgnąć u najbliższego sprzedawcy lub w przedstawicielstwie władz lokalnych.

## DEKLARACJA ZGODNOŚCI

MY,  
Positec Germany GmbH  
Postfach 680194, 50704 Cologne, Germany

W imieniu firmy Positec zaświadczam, że produkt  
Nazwa Akumulatorowe nożyce do żywopłotu  
Typ **KC201 KC201.X (201-oznaczenie urządzenia, odpowiednie dla nożyc do żywopłotu)**  
Funkcje **Przycinanie żywopłotów i krzaków**

Jest zgodny z następującymi dyrektywami:  
**2006/42/EC, 2014/30/EU, 2011/65/EU & (EU)2015/863, 2000/14/EC zmieniona dyrektywą 2005/88/EC**

2000/14/EC zmieniona dyrektywą 2005/88/EC:  
- Procedura oceny zgodności zgodna z Anekssem V Dyrektywy  
- Moc dźwięku 95.48 dB (A)  
- Deklarowana gwarantowana moc dźwięku 96.45 dB (A)

Dane jednostki notyfikowanej  
**EN 62841-1, EN 62841-4-2, EN ISO 3744, EN IEC 55014-1, EN IEC 55014-2, EN IEC 63000**

Osoba upoważniona do kompilacji pliku technicznego,  
**Nazwa Marcel Filz**  
**Adres Positec Germany GmbH**  
**Postfach 680194, 50704 Cologne, Germany**



2024/06/19  
Allen Ding  
Zastępca głównego inżyniera, testowanie i Certyfikacja  
Positec Technology (China) Co., Ltd  
18, Dongwang Road, Suzhou Industrial Park, Jiangsu 215123, P. R. China

# OBSAH

|   |     |
|---|-----|
| Úvod.....                                 | 138 |
| Seznam komponentů.....                    | 139 |
| Bezpečnost výrobku.....                   | 140 |
| Sestavení a provoz.....                   | 144 |
| Přeprava.....                             | 147 |
| Údržba.....                               | 147 |
| Čištění.....                              | 148 |
| Uskladnění.....                           | 148 |
| Řešení problémů.....                      | 148 |
| Technické údaje.....                      | 149 |
| <hr/> cz Ochrana životního prostředí..... | 150 |
| Prohlášení o shodě.....                   | 150 |

## ÚVOD

Vážený zákazníku,

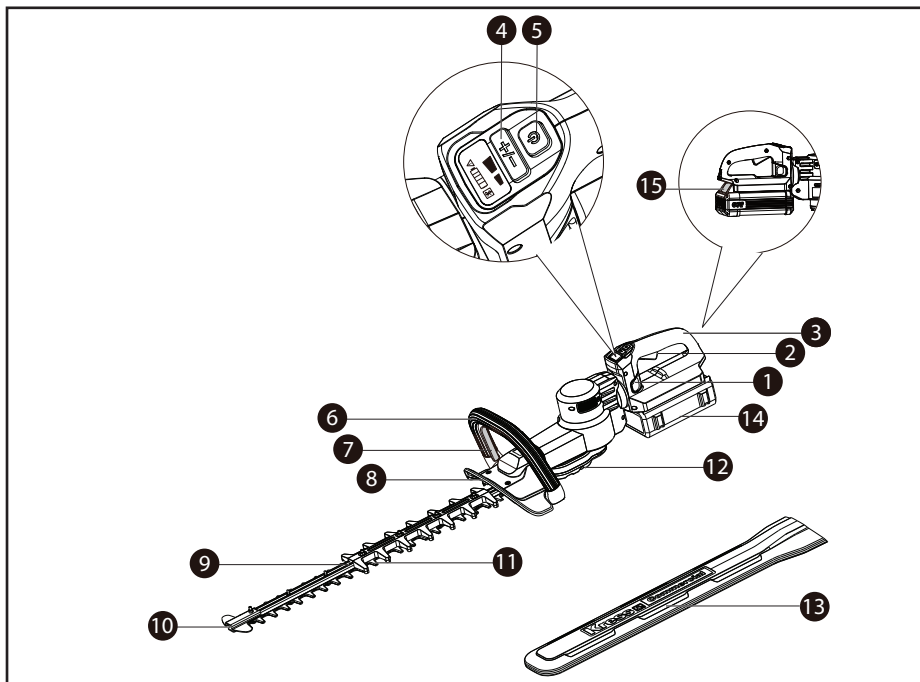
děkujeme, že jste si zakoupili tento produkt od společnosti Kress Commercial. Zaměřujeme se na vývoj vysoce kvalitních produktů, které splní vaše požadavky při krajinářských pracích.

Značka Kress je synonymem služeb prémiové kvality. Pokud budete mít kdykoli během doby životnosti vašeho produktu jakékoli otázky nebo obavy ohledně vašeho produktu, obraťte se na vašeho prodejce nebo přímo na náš tým Zákaznických služeb.

Věříme, že budete mít radost z používání vašeho produktu od společnosti Kress po mnoho nadcházejících let.

## PŘEDMĚT POUŽITÍ

Tento stroj je určen k řezání a zastřihování živých plotů a keřů v rámci nenáročného a náročného komerčního použití.



## SEZNAM KOMPONENT

- |     |  |
|-----|--|
| 1.  | <b>ARETAČNÍ SPÍNAČ PRO OTÁČENÍ ZADNÍ RUKOJETI</b>            |
| 2.  | <b>SPOUŠŤ</b>  |
| 3.  | <b>OTOČNÁ ZADNÍ RUKOJEŤ</b>                                  |
| 4.  | <b>TLAČÍTKO REGULACE RYCHLOSTI</b>                           |
| 5.  | <b>PŘEPÍNAČ ZAP. /VYP.</b>                                   |
| 6.  | <b>PŘEDNÍ RUKOJEŤ</b>  |
| 7.  | <b>SPÍNAČ PŘÍTOMNOSTI OBSLUHY (FUNKCE CELKOVÉHO SEPNUTÍ)</b> |
| 8.  | <b>BEZPEČNOSTNÍ KRYT</b>                                     |
| 9.  | <b>NOŽE NŮŽEK</b>  |
| 10. | <b>CHRÁNIČ ŠPIČKY</b>  |
| 11. | <b>ZADNÍ KRYT NOŽŮ</b>                                       |
| 12. | <b>KOVOVÁ PŘEVODOVKA</b>                                     |
| 13. | <b>OCHRANNÉ POUZDRO</b>                                      |
| 14. | <b>AKUMULÁTOR *</b>  |
| 15. | <b>TLAČÍTKO UVOLNĚNÍ BATERIE</b>                             |

\* Ne všechno zobrazené nebo popisované příslušenství je součástí standardní dodávky.

# PŮVODNÍ NÁVOD K POUŽÍVÁNÍ BEZPEČNOST VÝROBKU OBEČNÁ BEZPEČNOSTNÍ UPOZORNĚNÍ PRO ELEKTRICKÉ NÁSTROJE



**VAROVÁNÍ** Přečtěte si všechna bezpečnostní varování, pokyny, seznamte se s ilustracemi a technickými údaji dodanými s tímto elektrickým náradím. Nedodržení jakýchkoliv níže uvedených pokynů může mít za následek úraz elektrickým proudem, vznik požáru nebo vážného úrazu. **Uložte instrukce a veškerou dokumentaci pro budoucí použití.**

Výraz "elektrické ruční nářadí" znamená v upozornění buď na nářadí na elektrický pohon (napájené elektrickou sítí) nebo na akumulátorové nářadí (napájené z akumulátoru).

## 1) Bezpečnost na pracovišti

**a) Udržujte pracoviště v čistotě a dobře osvětlené.** Pracoviště plně nepotřebných předmětů nebo slabě osvětlené zvyšuje možnost úrazu.

**b) D Nepoužívejte elektrické ruční nářadí v prostředí náchylném na exploze jako například v přítomnosti hořlavých tekutin, plynů nebo prachu.** Elektrické ruční nářadí při práci vytváří jiskry, které mohou vznítit prach nebo výparu.

**c) Při práci s elektrickým ručním nářadím udržujte děti a přihlízející osoby v dostatečné vzdálenosti.** Ztráta pozornosti může vést ke ztrátě kontroly nad nářadím.

## 2) Bezpečnost při práci s elektrinou

**a) Vidlice elektrického ručního nářadí musí být shodného typu jako zásuvky el. sítě. Neměňte vidlici nedovoleným nebo neodborným způsobem, předejete tak možným zraněním nebo úrazu el proudem.** Nepoužívejte spolu s uzemněným ručním nářadím žádné adaptéry, které neumožňují ochranu zemněním.

**b) Vyhybejte se kontaktu s uzemněnými povrchy jako například trubkami, radiátory, sporáky a ledničkami.** Je-li vaše tělo spojené s uzemněným předmětem nebo stojí na uzemněné ploše, vzniká zvýšené riziko úrazu elektrickým proudem.

**c) Stroj nepoužívejte v dešti nebo moku. Mohlo by to zvýšit nebezpečí zasažení elektrickým proudem.** Pokud zmokne během použití v dešti, stroj a baterie by měly

být vysušeny před skladováním nebo nabíjením. Vyjměte baterie a znovu je vložte, pokud se nezdaří přístroj zapnout. Kontakty baterie udržujte bez špíny a nečistot a čistěte je měkkým a suchým kartáčem nebo hadříkem.

**d) Nemanipulujte s napájecím kabelem necitlivě. Nikdy si nepřitahujte elektrické ruční nářadí k sobě pomocí kabelu, netahejte je za sebou pomocí kabelu a nevytrhávejte kabel ze zástrčky, abyste ruční nářadí vypnuli. Nevystavujte kabel vysokým teplotám, oleji, ostrým hranám nebo kontaktu s pohyblivými díly.** Poškozené nebo zamotané kabely mohou vést k zvýšenému riziku úrazu elektrickým proudem.

**e) Při práci s ručním nářadím v exteriéru použijte prodlužovací kabel vhodný pro použití v exteriéru.** Použijte kabel vhodný pro venkovní prostředí, snižujete tím riziko vzniku úrazu elektrickým proudem.

**f) Pokud je práce s ručním nářadím ve vlhkých podmínkách nevyhnutelná, použijte napájení chráněné jističem typu proudový chránič (RCD).** Použití RCD jističe redukuje riziko vzniku úrazu elektrickým proudem.

## 3) Osobní bezpečnost

**a) Buďte soustředění, sledujte co děláte a při práci s ručním nářadím se řiďte zdravým rozumem. Nepoužívejte ruční nářadí, jste-li unaveni nebo pod vlivem omamných látek, alkoholu nebo léků.** Moment nepozornosti při práci s ručním nářadím může vést k vážnému osobnímu zranění.

**b) Použijte osobní ochranné pomůcky. Vždy noste ochranu očí.** Ochranné pomůcky jako například proti prachová maska, boty s protiskluzovou podrážkou nebo chrániče sluchu použité v příslušných podmínkách pomáhají redukovat nebezpečí vážného osobního zranění.

**c) Předcházejte neúmyslnému zapnutí. Ujistěte se, že vypínač je ve vypnuté poloze předtím, než zapojíte nářadí do elektrické sítě a nebo k akumulátoru, rovněž při zvedání nebo nošení nářadí.** Nošení nářadí s prstem na vypínači nebo nářadí pod napětím zvyšuje možnost úrazu.

**d) Odstraňte jakékoliv nastavovací nebo maticové klíče a šrouby předtím, než zapnete ruční nářadí.** Nastavovací nebo jiný klíč ponechany na rotující části ručního nářadí může způsobit osobní úraz.

**e) Nepřeceňujte se. Udržujte si stabilitu a pevnou zem pod nohama za každých podmínek.** Umožňuje vám to lepší kontrolu nad ručním nářadím v neočekávaných situacích.

**f) Pro práci se vhodně oblečte. Nenoste volné oblečení nebo šperky.** Své vlasy a volné oblečení držte z dosahu pohyblivých částí. Volné oblečení, šperky nebo dlouhé vlasy se mohou do pohyblivých částí zachytit.

- g) Pokud jsou zařízení nastavená na spojení se zařízeními na zachytávání a extrakci prachu, ujistěte se, že jsou tato zařízení správně připojena a použita.** Použitím sběrače prachu redukuje rizika vyvolaná prachem.
- h) Nedopust'te, abyste díky zkušenostem nabytým častým používáním elektrického nářadí přestali dodržovat základy bezpečného použití.** Neopatrný úkon může způsobit vážný úraz během zlomku sekundy.
- 4) Použití a údržba ručního nářadí**
- a) Na ruční nářadí netlačte. Použijte správné ruční nářadí pro danou činnost.** Správné ruční nářadí udělá práci lépe a takovou rychlostí, pro kterou bylo navrženo.
- b) Nepoužívejte ruční nářadí, pokud správně nefunguje vypínač on/off.** Jakékoli ruční nářadí, které se nedá ovládat vypínačem, je nebezpečné a musí být opraveno.
- c) Před jakýmkoliv seřizením, výměnou násad nebo uskladněním elektrického nářadí vyjměte síťovou zástrčku ze zásuvky nebo, pokud je to možné, z něj vyjměte akumulátor.** Taková preventivní bezpečnostní opatření redukuje riziko náhodného zapnutí ručního nářadí.
- d) Nepoužíváte-li ruční nářadí, skladujte je mimo dosah dětí a nedovolte osobám, které nemají zkušenosti s prací s ručním nářadím nebo neznají tyto pokyny, s nářadím pracovat.** Ruční nářadí je nebezpečné v rukách neškolené a nezkušené osoby.
- e) Provádějte pravidelnou údržbu elektrického nářadí a příslušenství. Zkontrolujte chybné připojení nebo spojení pohyblivých částí, zlomené části nebo jiné okolnosti, které by mohly ovlivnit funkčnost ručního nářadí. Je-li nářadí poškozeno, nechte je před novým použitím opravit.** Mnoho úrazů vzniká proto, že je elektrické ruční nářadí špatně udržováno.
- f) Udržujte rezné nástroje ostré a čisté.** Správně udržované rezné nástroje s ostrými řezacími hranami jsou méně náchylné na zakousnutí a lépe se ovládají.
- g) Používejte elektrické nářadí v souladu s těmito pokyny, berte v úvahu pracovní podmínky a druh vykonávané práce.** Je-li elektrické nářadí použito na jiné účely, než je určeno, může docházet k nebezpečným situacím.
- h) Rukojeti a povrchy držadel udržujte suché, čisté, bez maziv a tuků.** Kluzké rukojeti a držadla neumožňují bezpečnou manipulaci a obsluhu nářadí v neočekávaných situacích.
- 5) Použití a údržba elektrického nářadí napájeného baterií**
- a) Provádějte nabíjení pouze v nabíječce, která je specifikovaná výrobcem.** Nabíječka, která je vhodná pro jeden typ baterie, může při použití jiného typu baterie vytvářet riziko způsobení požáru.
- b) Při použití nářadí napájeného baterií používejte pouze baterii, která je určena speciálně pro toto nářadí.** Použití jakékoli jiné baterie může vytvářet riziko způsobení zranění a požáru.
- c) Není-li baterie používána, udržujte ji v bezpečné vzdálenosti od sponek na papíry, mincí, klíčů, hřebíků, šroubů nebo jiných malých kovových předmětů, které mohou způsobit propojení kontaktů baterie.** Zkratování kontaktů baterie může způsobit popáleniny nebo požár.
- d) V náročných podmínkách může docházet k unikům kapaliny z baterie. Vyvarujte se kontaktu s touto kapalinou. Dojde-li k náhodnému kontaktu, opláchněte zasažené místo vodou. Zasažte-li tato kapalina oči, okamžitě vyhledejte lékařské ošetření.** Kapalina unikající z baterie může způsobit podráždění nebo popáleniny.
- e) Akumulátor nebo nářadí, které je poškozeno nebo je upravené, nepoužívejte.** Poškozené nebo upravené akumulátory mohou mít nepředvídatelné chování s následkem požáru, exploze nebo s nebezpečím úrazu.
- f) Akumulátor nebo nářadí nevhazujte do ohně nebo je nevystavujte nadměrným teplotám.** Při vhození do ohně nebo vystavení teplotě nad 130 ° C může dojít k explozi.
- g) Dodržujte veškeré pokyny pro nabíjení a akumulátor nebo nářadí nenabíjejte mimo teplotní rozsah specifikovaný v tomto návodu.** Nesprávné nabíjení, nebo nabíjení při teplotách mimo specifikovaný rozsah může poškodit akumulátor a zvýšit riziko vzniku požáru.
- 6) Servis**
- a) Servisní práce na nářadí nechte provést kvalifikovanými pracovníky za použití originálních náhradních dílů.** Výsledkem bude trvalá bezpečnost při práci s elektrickým nářadím.
- b) Poškozené akumulátory nikdy neopravujte.** Servis akumulátorů by měl být prováděn pouze výrobcem nebo autorizovaným servisním zástupcem.

# BEZPEČNOSTNÍ UPOZORNĚNÍ TÝKAJÍCÍ SE NŮŽEK NA ŽIVÉ PLOTY:

- a) Nůžky na živé ploty nepoužívejte za špatných povětrnostních podmínek, když hrozí nebezpečí blesku. To sníží nebezpečí zasažení bleskem.
- b) Udržujte všechny napájecí šňůry a kabely mimo řeznou plochu. Napájecí šňůry nebo kabely mohou být ukryty v živých plotech nebo keřích a může dojít k jejich neúmyslnému přeříznutí nožem.
- c) Používejte chrániče sluchu. Dostatečná ochranná výbava sníží riziko ztráty sluchu.
- d) Při práci, během které se mohou nože nůžek dostat do kontaktu se skrytými vodiči, držte elektrické nářadí vždy pouze za izolované plochy. Kontakt nožů s „živým“ vodičem způsobí, že neizolované kovové části nářadí budou také „živé“, což způsobí obsluhu úraz elektrickým proudem.
- e) Udržujte všechny části těla v bezpečné vzdálenosti od pohybujících se nožů. Jsou-li nože nůžek v pohybu, neodstraňujte ostříhaný materiál a nedržte materiál, který budete stříhat. Nože budou pokračovat v pohybu poté, co bude spínač vypnutý. Chvilková nepozornost při práci s nůžkami na živé ploty může vést k způsobení vážného zranění.
- f) Při čištění ucpaného materiálu nebo při provádění servisních prací na jednotce se ujistěte, že všechny síťové spínače jsou vypnuté a že sada baterie je vyjmutá nebo odpojená. Neočekávané spuštění nůžek na živé ploty při čištění ucpaného materiálu nebo provádění servisních prací může mít za následek vážné poranění osob.
- g) Přenášejte nůžky na živé ploty za rukojeť a vždy se zastavenými noži nůžek a dávejte pozor, abyste nezapnuli žádný síťový spínač. Správná manipulace s nůžkami na živé ploty sníží riziko možného zranění osob, které by bylo způsobeno noži nůžek.
- h) Při přenášení nebo uskladnění nůžek na živé ploty vždy nasad'te kryt nože. Správná manipulace s nůžkami na živé ploty snižuje nebezpečí poranění osob noži.
- i) Zkontrolujte živé ploty a keře kvůli cizím předmětům např. drátěným plotům a skryté elektroinstalaci.
- j) Nůžky na živé ploty držte pořádně např. oběma rukama, pokud jsou vybaveny dvěma rukojeťmi.
- k) Nůžky na živé ploty jsou určeny k použití obslužným pracovníkem v úrovni země a ne na žebřících nebo jakékoli jiné nestabilní podpoře.

- l) Před uvedením nůžek na živé ploty do provozu by se měl uživatel přesvědčit, že zamykací zařízení jakýchkoli pohyblivých prvků (např. prodlouženého hřídele a otáčejícího prvku), pokud tam jsou, jsou v zamknuté poloze.
- m) Zajistěte pravidelnou údržbu nastavitelného zastavovacího mechanismu.
- n) Nevyzvedávejte ani neunášejte elektrické nůžky na živý plot jednou rukojetí.

# BEZPEČNOSTNÍ VAROVÁNÍ TÝKAJÍCÍ SE BATERIÍ

- a) Nepokoušejte se demontovat, rozebírat nebo rozřezávat baterie nebo její články.
- b) Neprovádějte zkratování baterie. Neukládejte baterie nahodile v krabicích nebo v zásuvkách, kde by mohlo dojít k jejich vzájemnému zkratování nebo k zkratování způsobenému jinými předměty. Není-li baterie používána, udržujte ji v bezpečné vzdálenosti od sponek na papíry, mincí, klíčů, hřebíků, šroubů nebo jiných malých kovových předmětů, které mohou způsobit propojení kontaktů baterie. Zkratování kontaktů baterie může způsobit popáleniny nebo požár.
- c) Nevystavujte baterii působení horka nebo ohně. Vyvarujte se skladování baterií na otevřeném slunci.
- d) Nevystavujte baterii mechanickým rázům.
- e) Dojde-li k úniku kapaliny z baterie, zabraňte tomu, aby se tato kapalina dostala do kontaktu s pokožkou nebo aby zasáhla oči. Dojde-li k takovému kontaktu, zasažené místo omyjte značným množstvím vody a vyhledejte lékařské ošetření.
- f) Udržujte baterie čisté a suché.
- g) Jsou-li svorky baterie znečištěny, otřete je čistým a suchým hadříkem.
- h) Baterie musí být před použitím nabita. Vždy postupujte podle uvedených pokynů a používejte správný postup nabíjení.
- i) Nenechávejte baterii nabíjet, nebude-li baterie použita.
- j) Po dlouhodobém uložení budete možná muset provést několik cyklů nabíjení a vybíjení, aby baterie dosáhla svého maximálního výkonu.
- k) Provádějte nabíjení pouze v nabíječce, která je specifikovaná společností










**Kress. Nepoužívejte jinou nabíječku, než je nabíječka speciálně dodaná pro použití s tímto zařízením.**

- l) Nepoužívejte žádnou baterii, která není určena pro použití s tímto zařízením.**
- m) Ukládejte baterie mimo dosah dětí.**
- n) Uchovejte originální dokumentaci k tomuto výrobku pro budoucí odkazy.**
- o) Není-li zařízení používáno, vyjměte z něj baterii.**
- p) Provádějte řádnou likvidaci baterie.**
- q) V zařízení nekombinujte bateriové články různého data výroby, kapacity, velikosti nebo typu.**
- r) Baterii uchovávejte dál od mikrovlnných trub a vysokého tlaku.**
- s) Varování! Nepoužívejte jednorázové baterie.**

## NÁVOD K OBSLUZE, POŽADAVKY NA BEZŠŤŮROVÝ VÝROBEK

- a) Používání tohoto zařízení podléhá následujícím dvěma podmínkám:
  - (1) Toto zařízení nesmí způsobovat škodlivé rušení a
  - (2) toto zařízení musí přijímat jakékoli rušení, které přijme, včetně rušení, které může způsobit nežádoucí provoz.
- b) Upozornění: Změny nebo úpravy této jednotky, které nebyly výslovně schváleny stranou, která je zodpovědná za splnění předpisů, by mohly zneplatnit uživateli pravomoc toto zařízení používat.
- c) **POZNÁMKA:** Toto zařízení vytváří, používá a může také vyzařovat radiovou frekvenční energii a pokud nebude nainstalováno a používáno ve shodě s pokyny, může způsobovat škodlivé rušení radiových komunikací. Neexistuje však záruka, že se rušení nevyskytne v konkrétní instalaci. Pokud toto zařízení přece jen způsobí škodlivé rušení rádiovému nebo televiznímu přijímu, což může být zjištěno vypnutím a opětovným zapnutím zařízení, tak uživateli doporučujeme, aby zkusil rušení upravit jedním nebo více z následujících opatření:
  - Přeorientovat nebo přemístit přijímací anténu.
  - Zvýšit prostor mezi zařízením a přijímačem.
  - Zařízení zapojit do zásuvky na okruhu jiném, než ke kterému je připojen přijímač.
  - Požádejte o pomoc prodejce nebo zkušeného rádiového/televizního technika.

## SYMBOLY

|  |   |
|--|---|
|             | Pro omezení rizika zranění si pečlivě přečtěte návod k obsluze.   |
|             | VAROVÁNÍ  |
|             | Používejte pomůcky pro ochranu očí  |
|             | Používejte pomůcky pro ochranu sluchu   |
|             | Používejte respirátor   |
|             | Ruce držte z dosahu čepele  |
|             | Používejte ochranné rukavice  |
|             | Nevystavujte ohni   |
|             | Akumulátory se mohou při nesprávném způsobu likvidace dostat do systému koloběhu vody, což může ohrozit vlastní ekosystém. Dosloužilé akumulátory nelikvidujte jako netříděný komunální odpad.  |
| <br>Li-Ion | Akumulátor Li-Ion. Tento výrobek byl označen symbolem „tříděný odpad“ pro všechny jednotlivé a složené akumulátory. Proto musí být s ohledem dopadu na životní prostředí pro dosloužení recyklován nebo demontován. Akumulátory obsahují nebezpečné látky, proto mohou být nebezpečné pro životní prostředí a lidské zdraví |
|           | Vysloužilé elektrické přístroje nevyhazujte společně s domovním odpadem. Nářadí recyklujte ve sběrnách k tomu účelu zřízených. O možnostech recyklace se informujte na místních úřadech nebo u prodejce   |



Před prováděním jakéhokoli seřízení, opravy nebo údržby vždy vyjměte z nářadí baterii.

## SESTAVENÍ A POUŽÍVÁNÍ



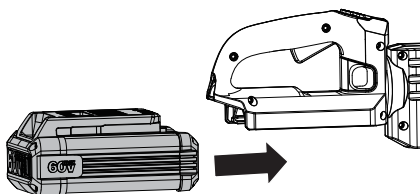
**POZNÁMKA:** Předtím než začnete nářadí používat, přečtěte si pečlivě manuál.



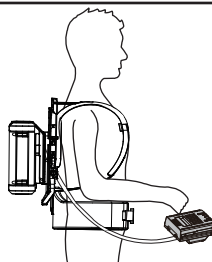
**PŘED ZAHÁJENÍM PRÁCE:**

**Vložení a vyjmutí baterie (Viz Obr. A1,A2)**

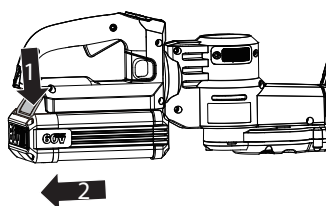
**A1**



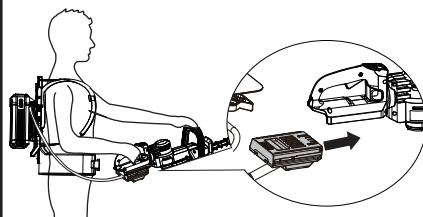
**B2**



**A2**



**B3**



1. Nasuňte akumulátor do prostoru pro baterie, dokud neuslyšíte cvaknutí.
2. Stiskněte tlačítko uvolnění baterie, abyste uvolnili baterie z nářadí.

### Připojení nůžek na živé ploty k zádovému postroji (Viz obr. B1,B2,B3)

Do zádového postroje nainstalujte sadu baterií, potom vložte zástrčku do stroje. Oblékněte si zádový postroj.

Další podrobnosti najdete v návodu k obsluze zádového postroje.

### Zkouška nůžek a baterie (Viz obr. C)

#### Kontrola ovládacích prvků

#### Přední spínací páka a zadní spínací páka

1. Vyjměte baterii.
2. Stiskněte a uvolněte přední spínací páku a zadní spínací páku. Pokud se přední spínací páka nebo zadní spínací páka zasekne a nevrátí se do původní polohy, přestaňte nůžky používat a obraťte se na servisního zástupce.

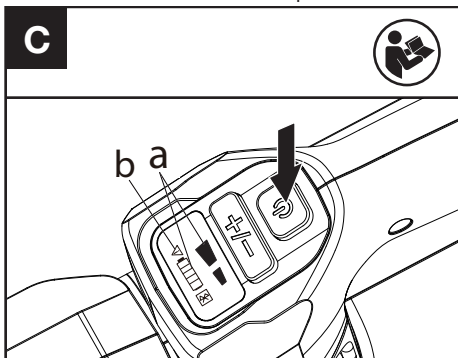
#### Kontrola displeje

1. Vložte baterii.
2. Stiskněte a podržte přepínač zap./vyp.

Výrobek je zapnutý, když LED (a) svítí.

Výrobek je vypnutý, když LED (a) nesvítí.

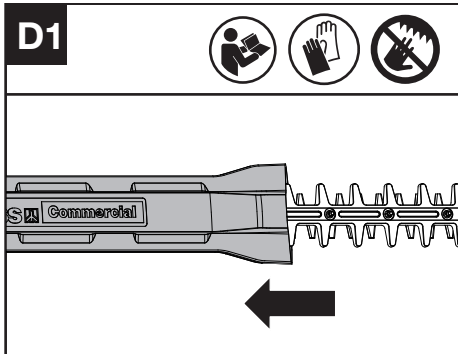
3. Pokud se rozsvítí nebo rozblíká varovná kontrolka (b), postupujte podle části Řešení problémů.
4. Stiskněte přední spínací páku, poté zadní spínací páku, abyste spustili stroj.
5. Uvolněte zadní spínací páku. Nůžky se vypnou. Pokud se nůžky nevypnou, vyjměte baterii a obraťte se na servisního zástupce.



## SESTAVENÍ

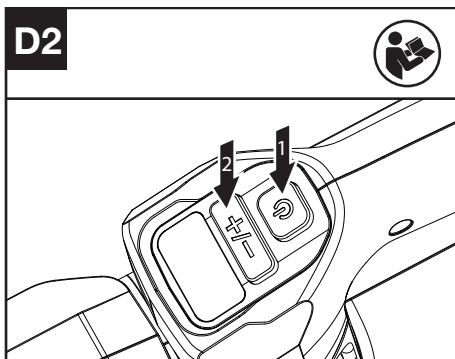
### Spuštění & Zastavení

Před použitím nejdříve sejměte pouzdro nože. (Viz obr. D1)

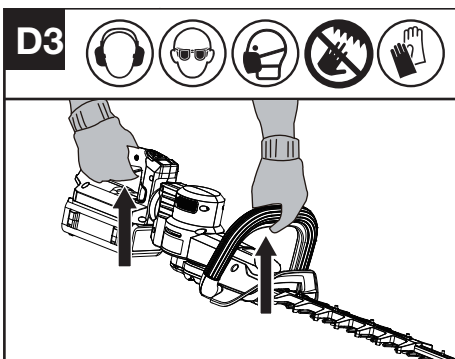


### Výběr rychlosti

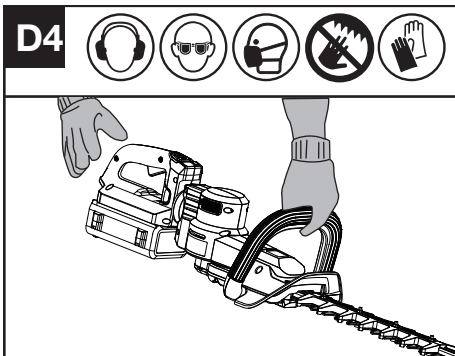
1. Stiskněte přepínač zap./vyp.
2. Pomocí tlačítka regulace rychlosti vyberte rychlost, kterou potřebujete. (Viz obr. D2)



Pro spuštění stiskněte přední spínací páku a zadní spínací páku. (Viz obr. D3)



Pro zastavení uvolněte zadní spínací páčku a přední spínací páčku. (Viz obr. D4)



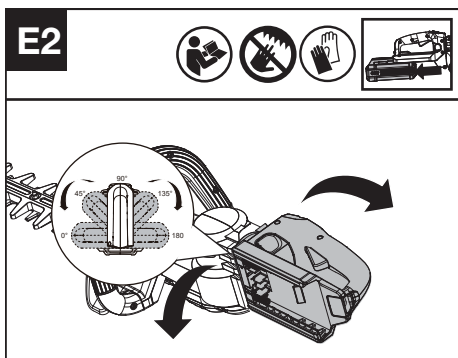
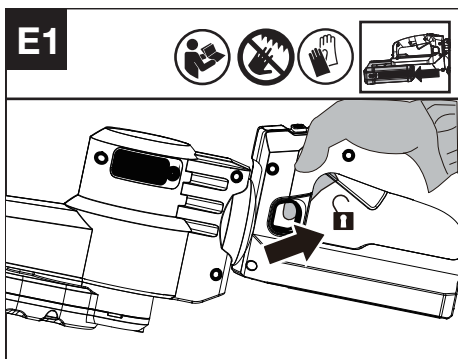
Když stroj nebudete používat, tak nůžky na živé ploty vypněte a odpojte je od zádového stroje.

### Otočná zadní rukojeť (Viz obr. E1, E2)

**POZNÁMKA:** Před otočením odjistěte uzamykatelný přepínač.

Po otočení rukojeti do požadované polohy její polohu mírně upravte, až uslyšíte cvaknutí.

**!** **VAROVÁNÍ:** Před uvedením do provozu se vždy ujistěte, zda je rukojeť zajištěna v požadované poloze. Před spuštěním nůžek na živý plot se vždy ujistěte, zda je uzamykatelný prepínač otáčení zajištěn. Neotáčejte s rukojetí, pokud jsou nůžky v chodu.



## JAK SE NŮŽKY NA ŽIVÉ PLOTY POUŽÍVAJÍ

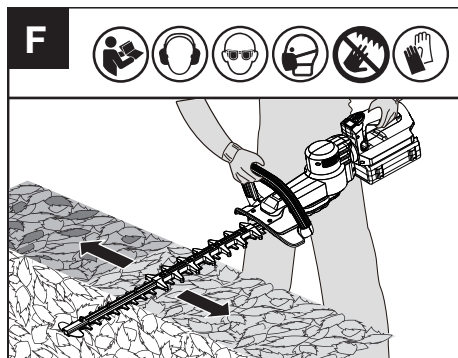
Před každým použitím zkontrolujte nejdříve prostor, kde budete s nůžkami pracovat a odstraňte všechny předměty, které mohou být odmrštěny nebo které by se mohly namotat na nože nůžek. Před spuštěním držte tyto nůžky na živé ploty vždy oběma rukama a tak, aby nože nůžek směřovaly směrem od vás. Stříháte-li nové obrostlé živé ploty, používejte široké obloukové pohyby tak, aby byly nové stonky naváděny přímo do nožů nůžek. Před zahájením stříhání počkejte, dokud nože nůžek nedosáhnou maximálních otáček. Vždy pracujte v bezpečné vzdálenosti od ostatních osob a pevných předmětů, jako jsou zdi, velké kameny, stromy, vozidla atd. Dojde-li k zastavení nožů nůžek, okamžitě tyto nůžky zastavte. Před pokusem o odstranění zaseknutých zbytků rostlin mezi noži uvolněte obě spínací páky. Při stříhání žahavých nebo pichlavých rostlin používejte ochranné rukavice. Nepokoušejte se stříhat stonky nebo větvičky, které

jsou pro nože nůžek příliš velké.

## Stříhání horní části keře (Viz obr. F)

Používejte široký obloukový pohyb. Nejlepší pracovní výsledky zaručuje mírný náklon nožů nůžek ve směru prováděného pohybu.

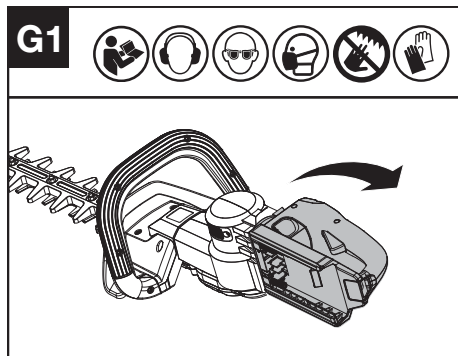
**!** **VAROVÁNÍ:** Pokud některé součásti zcela chybí, nebo jsou poškozeny nebo zlomeny, nepoužívejte akumulátorové nůžky do té doby, než budou všechny poškozené díly vyměněny nebo opraveny. V opačném případě může dojít k vážnému zranění. **NEPOUŽÍVEJTE BEZ PŘEDNÍ RUKOJETI A BEZPEČNOSTNÍHO KRYTU.**

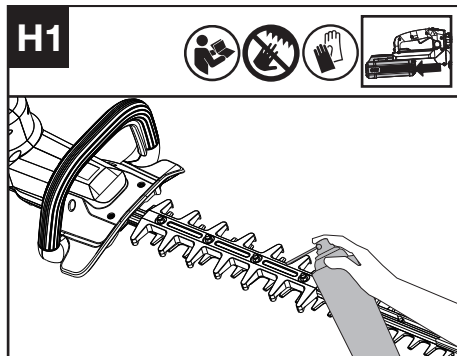
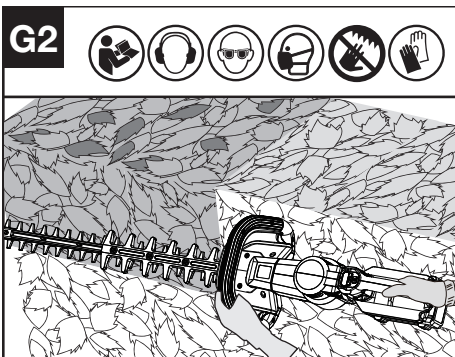


## STŘÍHÁNÍ BOČNÍ ČÁSTI KEŘE (Viz obr. G1, G2)

Při stříhání boční části živého plotu zahajte práci u jeho spodní části a stříhejte směrem nahoru tak, aby se živý plot nahoře zužoval dovnitř. Tento tvar odhalí větší část živého plotu, což má za následek jeho rovnoměrnější růst.

**!** **VAROVÁNÍ:** Před otočením rukojeti chod nůžek zastavte.





## PŘEPRAVA

### Přeprava strunové sekačky

1. Vypněte strunovou sekačku a vyjměte baterii.
2. Při ruční přepravě strunové sekačky držte střed hřídele sekací hlavou směrem dozadu a ujistěte se, že je stroj rovnoběžně se zemí.
3. Při přepravě sekačky vozidlem ji zajistěte a umístěte tak, abyste zabránili jejímu pohybu nebo poškození.

### Přeprava baterie

1. Zkontrolujte, zda je baterie v bezpečném stavu.
2. Při přepravě baterie používejte nevodivé obaly.
3. Obsazené Li-Ion baterie podléhají požadavkům legislativy týkající se nebezpečného zboží. Baterie přepravujte pouze v případě, že obal baterie není poškozen. Baterie zabalte tak, aby se v obalu nemohly pohybovat.

## ÚDRŽBA

**⚠ VÝSTRAHA! Baterii také vyměňte při provádění jakékoli údržby nůžek.**

**Před provedením jakéhokoli seřízení, servisu nebo údržby vyjměte z nůžek na živý plot akumulátor.**

Ve vašem nářadí nejsou žádné díly, jejichž opravu by mohl provádět uživatel. Nikdy nepoužívejte při čištění vašeho elektrického nářadí vodu nebo chemické čisticí prostředky. Otrěte a očistěte nářadí suchým hadříkem. Vždy ukládejte toto elektrické nářadí na suchém místě. Udržujte v čistotě větrací otvory motoru. Udržujte v čistotě všechny ovládací prvky.

### Mazání nožů nůžek (Viz obr. H1)

**POZNÁMKA:** Je důležité používat pouze doporučený standardní mazací olej (WD-40), aby nedošlo k poškození ostří.

### Mazání převodovky (Viz obr. H2)

Vyjměte šroubovací zátku ze skříně převodovky. Mazání převodové skříně prostřednictvím otvoru na olej po každých 50 hodinách provozu. Vyšroubujte šrouby z krytu převodovky a sejměte kryt. Mazání po každých 300 hodinách provozu. **POZNÁMKA:** Z důvodu lepšího provozu a delší životnosti promazávejte převodovou skříní nůžek na živé ploty olejem (SHELL Gadus S2 V220 1).



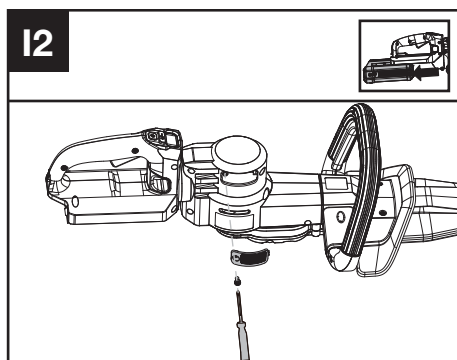
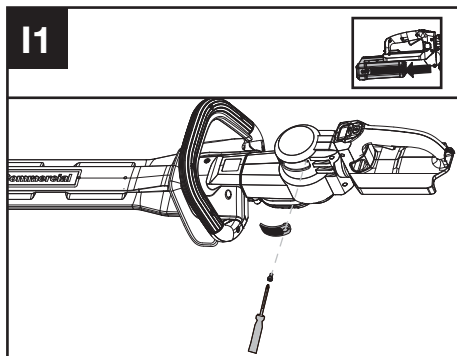
### BROUŠENÍ

**⚠ Upozornění:** Stroj nepoužívejte s tupými nebo poškozenými řeznými noži, které způsobí přetížení a nevhovující výkon. Až se výkon řezání začne zhoršovat, tak prosím, naostřete nůž. Až se výkon střihání začne zhoršovat, nechte naostřit nože odbornou osobou. Při manipulaci s noži nůžek vždy noste ochranné rukavice a naostřujte pouze řeznou hranu. Ostřete pouze řeznou hranu. Neobrušujte tupé vystupující díly řezného nože nebo jeho krytu. Použijte brousek, abyste odstranili otěr z řezné hrany. Po nabrušení očistěte prach z nože.

### Čištění vzduchového filtru (Viz obr. I1, I2)

1. Vyčistěte oblast okolo vzduchového filtru. Použijte vlhký hadřík nebo jemný kartáč.
2. Odšroubujte a vyjměte vzduchový filtr.
3. Omyjte vzduchový filtr pod tekoucí vodou, abyste odstranili nečistoty.

4. Nechte vzduchový filtr vyschnout na vzduchu. Poté jej znovu vložte do krytu a utáhněte šroub.



baterie by měly být vysušeny před skladováním nebo nabíjením. Vyjměte baterie a znovu je vložte, pokud se nezdaří přístroj zapnout.

## PRO AKUMULÁTOROVÁ NÁŘADÍ

Doporučený rozsah okolní teploty pro vybíjení je -20 °C~45°C (-4 °F~113 °F).

Doporučený rozsah okolní teploty pro nabíjecí systém v průběhu nabíjení je -5°C~45°C (23°F~113°F).

## HLEDÁNÍ ZÁVAD

Následující tabulka ukazuje příznaky závad, možnou příčinu a též správnou nápravu, pokud by Vaše zahradní nářadí někdy nefungovalo bezvadně.



**Pozor:** Před hledáním závady zahradní nářadí vypněte a odejměte akumulátor.

### STRUNOVÁ SEKAČKA

| Problémy                          | Možné příčiny                    | Nápravná opatření   |
|-----------------------------------|----------------------------------|---|
| Indikátor baterie LED bliká       | Nízké napětí baterie.            | Nabijte baterii.  |
| Bliká červená kontrolka LED chyby | Přetížení.                       | Sekacínástavec je zaseknutý<br>Deaktivujte výrobek. Vyjměte baterii. Vyčistěte sekacínástavec od nežádoucích materiálů. |
|                                   | Problém s teplotou.              | Nechte výrobek vychladnout.   |
|                                   | Jiné problémy                    | Obraťte se na servisního pracovníka   |
| Výrobek se nespustí               | Nečistoty v konektorech baterie. | Vyčistěte konektory baterie stlačeným vzduchem nebo měkkým kartáčem.  |
|                                   | Jiné problémy                    | Obraťte se na servisního pracovníka.  |

## ČIŠTĚNÍ

1. Vypněte nůžky a vyjměte baterii.
2. Nepoužívejte agresivní čisticí prostředky ani rozpouštědla. Stroj čistěte po použití navlhčeným hadříkem namočeným v jemném čisticím přípravku.
3. Konektor baterie udržujte čistý a prostý nečistot a cizích látek a čistěte jej měkkým a suchým kartáčem nebo hadříkem.
4. Na motor a elektrické součásti nestříkejte vodu.
5. Na čištění přístroje nepoužívejte vysokotlaký čistič.

## SKLADOVÁNÍ

1. Před skladováním ze sekačky vyjměte sadu baterií.
2. Nůžky a baterii skladujte na suchém a bezpečném místě, ke kterému nemají přístup děti ani jiné nepovolané osoby.
3. Skladujte baterii pouze v teplotním rozsahu mezi 5 °C (41 °F) a 25 °C (77 °F). Například nenechávejte baterii v létě v autě.
4. Pokud zmokne během použití v dešti, stroj a


|                                    |   |  |
|------------------------------------|---|--|
| Strunová sekačka běží přerušovaně. | Baterie není zcela zasunuta do přístroje.   | Vložte baterii úplně.  |
|                                    | Možný elektrický problém.                   | Obráťte se na servisního pracovníka.                         |
|                                    | Problém se sekacím nástavcem . Vadný stroj. | Vyměňte sekacínástavec. Obráťte se na servisního pracovníka. |

## BATERIE

| Problémy                   | Možné příčiny       | Nápravná opatření  |
|----------------------------|---------------------|--|
| Svítil kontrolka LED chyby | Baterie je vybitá   | Nabijte baterii. Pokud se baterie nenabíjí, kontaktujte servisního pracovníka  |
|                            | Problém s teplotou. | Baterii použijte v prostředí s teplotami od -5 °C do 45 °C (23 °F do 113 °F) při nabíjení a od -20 °C do 45 °C (-4 °F do 113 °F) při vybíjení. |
|                            | Jiné                | Obráťte se na vašeho servisního pracovníka.  |

## TECHNICKÉ ÚDAJE

Typ: **KC201 KC201.X (201- designation of machinery, representative of cordless hedge trimmer)**

|                        | <b>KC201 KC201.X**</b>   |
|------------------------|--|
| Napětí                 | 60 V  MAX *** |
| Rychlost řezání        | 4400/5000 SPM  |
| Délka nože             | 63 cm (25")  |
| Rozteč zubů            | 30 mm (1.18 inch)  |
| Stupeň ochrany         | IPX4   |
| Hmotnost (Holé nářadí) | 3.8 kg (8.3 lbs)   |

\*\* X = 1-999, A-Z, M1-M9 jsou pouze pro různé zákazníky, mezi těmito modely neexistují žádné změny související s bezpečností.

\*\*\* Napětí měřené bez zátěže. Počáteční napětí baterie dosáhne maximálně 60 voltů. Jmenovité napětí je 54 voltů.

## NAVRHOVANÉ BATERIE A NABÍJENÍ

| Baterie                        | Kapacita | Nabíječka baterií | Amperage |
|--------------------------------|----------|-------------------|----------|
| KAC800                         | 4 Ah     | KAC840            | 30 A     |
| KAC810 (S batohovým postrojem) | 11 Ah    |                   |          |
| KA3000                         | 2.0 Ah   |                   |          |

Doporučujeme, abyste si zakoupili své příslušenství u stejného prodejce, u kterého jste zakoupili tento stroj. Podívejte se na obal příslušenství ohledně dalších podrobností. Váš prodejce vám může pomoci a poskytnout radu.

## TECHNICKÉ ÚDAJE AKUMULÁTORU (VOLITELNÉ)

|                                     |                 |
|-------------------------------------|-----------------|
| Frekvenční pásma Bluetooth          | 2400-2483.5 MHz |
| Maximální přenášený výkon Bluetooth | 8 dBm           |

CZ

## INFORMACE TÝKAJÍCÍ SE HLUČNOSTI

|                        |                                |
|------------------------|--------------------------------|
| Měřený akustický tlak  | $L_{pA} = 87.48 \text{ dB(A)}$ |
| $K_{pA}$               | 3.0 dB(A)                      |
| Měřený akustický výkon | $L_{wA} = 95.48 \text{ dB(A)}$ |
| $K_{wA}$               | 0.97 dB(A)                     |

Používejte ochranu sluchu.



## INFORMACE TÝKAJÍCÍ SE VIBRACÍ

Celkové hodnoty vibrací (trojosé nebo vektorové součtové měření) stanovené v souladu s EN 62841:

|                          |                                    |
|--------------------------|------------------------------------|
| Hodnota vibračních emisí | Zadní: $a_h = 2.42 \text{ m/s}^2$  |
|                          | Přední: $a_h = 2.50 \text{ m/s}^2$ |
| Kolisání                 | Zadní: $K = 1.5 \text{ m/s}^2$     |
|                          | Přední: $K = 1.5 \text{ m/s}^2$    |

Deklarovaná celková hodnota vibrací a deklarovaná úroveň vytvářeného hluku byly měřeny v souladu se standardními zkušebními postupy a lze je použít při


srovnání jednotlivých nářadí mezi sebou.  
Deklarovaná celková hodnota vibrací a deklarovaná úroveň vytvářeného hluku mohou být také použity k předběžnému stanovení doby práce s nářadím.

**VAROVÁNÍ:** Vibrace a hluknost při aktuálním použití elektrického nářadí se od deklarovanych hodnot mohou lišit v závislosti na způsobu, jakým je nářadí použito, zejména pak na typu zpracovávaného obrobku podle následujících příkladů a na dalších způsobech, jakými je nářadí používáno:

Jak je nářadí používáno a jaké materiály budou řezány nebo vrtány.  
Nářadí musí být v dobrém stavu a musí být prováděna jeho řádná údržba.  
S nářadím musí být používáno správné příslušenství, a to příslušenství musí být ostré a v dobrém stavu. Pevnost uchopení rukojeti a zda je použito jakékoli příslušenství snižující úroveň vibrací a hluku.  
Toto nářadí může být použito pouze pro určené účely a podle těchto pokynů.  
Není-li toto nářadí používáno odpovídajícím způsobem, může způsobit syndrom nemoci způsobené působením vibrací na ruce a paže obsluhy.

**VAROVÁNÍ:** Chcete-li být přesní, odhad doby působení vibrací v aktuálních podmínkách při použití tohoto nářadí by měl brát v úvahu také všechny části pracovního cyklu, jako jsou doby, kdy je nářadí vypnuto a kdy je v chodu ve volnoběžných otáčkách, ale ve skutečnosti neprovádí žádnou práci. Doba působení vibrací tak může být během celkové pracovní doby značně zkrácena. Pomáhá minimalizovat riziko působení vibrací a hluku.  
VŽDY používejte ostré sekáče, vrtáky a nože.  
Provádějte údržbu tohoto nářadí podle těchto pokynů a zajistěte jeho řádné mazání (je-li to vhodné).  
Pokud bude nářadí používáno pravidelně, pak investujte do příslušenství snižujícího úroveň vibrací a hluku.  
Vypracujte si svůj plán práce, abyste působení vysokých vibrací tohoto nářadí rozdělily do několika dnů.

## OCHRANA ŽIVOTNÍHO PROSTŘEDÍ

 Nepotřebné elektrické přístroje by neměly být vyhazovány společně s odpadem z domácnosti. Nářadí recyklujte ve sběrnách zřízených k tomuto účelu. O možnostech recyklace se informujte na místních úřadech nebo u prodejce.

## PROHLÁŠENÍ O SHODĚ

MY,  
Positec Germany GmbH  
Postfach 680194, 50704 Cologne, Germany

Jméno společnosti Positec prohlašujeme, že výrobek  
Popis **Bateriové nůžky na plot**  
Typ **KC201 KC201.X (201-označení strojního zařízení, zástupce nůžek na plot)**  
Funkce **Sihání živých plot a křovin**

splňuje požadavky následujících směrnic:  
**2006/42/EC, 2014/30/EU, 2011/65/EU & (EU)2015/863, 2000/14/EC upravená směrnici 2005/88/EC**

2000/14/EC upravená směrnicí 2005/88/EC:  
- Postup posuzování shody podle Dodatek V  
- Měřená úroveň akustického výkonu I 95.48 dB (A)  
- Deklarovaná zaručená úroveň akustického výkonu 96.45 dB (A)

Použité normy,  
**EN 62841-1, EN 62841-4-2, EN ISO 3744, EN IEC 55014-1, EN IEC 55014-2, EN IEC 63000**

Osoba odpovídající za vytvoření technické dokumentace,  
**Jméno: Marcel Filz**  
**Adresa: Positec Germany GmbH**  
**Postfach 680194, 50704 Cologne, Germany**



2024/06/19  
Allen Ding  
Zástupce vrchní konstrukční kanceláře,  
Testování & Certifikace  
Positec Technology (China) Co., Ltd  
18, Dongwang Road, Suzhou Industrial Park, Jiangsu 215123, P. R. China

# OBSAH

|                                   |     |
|-----------------------------------|-----|
| Úvod.....                         | 151 |
| Zoznam súčastí.....               | 152 |
| Bezpečnosť výrobku.....           | 153 |
| Montáž a ovládanie.....           | 157 |
| Transport.....                    | 159 |
| Údržba .....                      | 159 |
| Čistenie.....                     | 161 |
| Skladovanie.....                  | 161 |
| Riešenie problémov.....           | 161 |
| Technické údaje.....              | 162 |
| Ochrana životného prostredia..... | 163 |
| Vyhlásenie o zhode.....           | 163 |

SK

## ÚVOD

Vážení zákazníci,

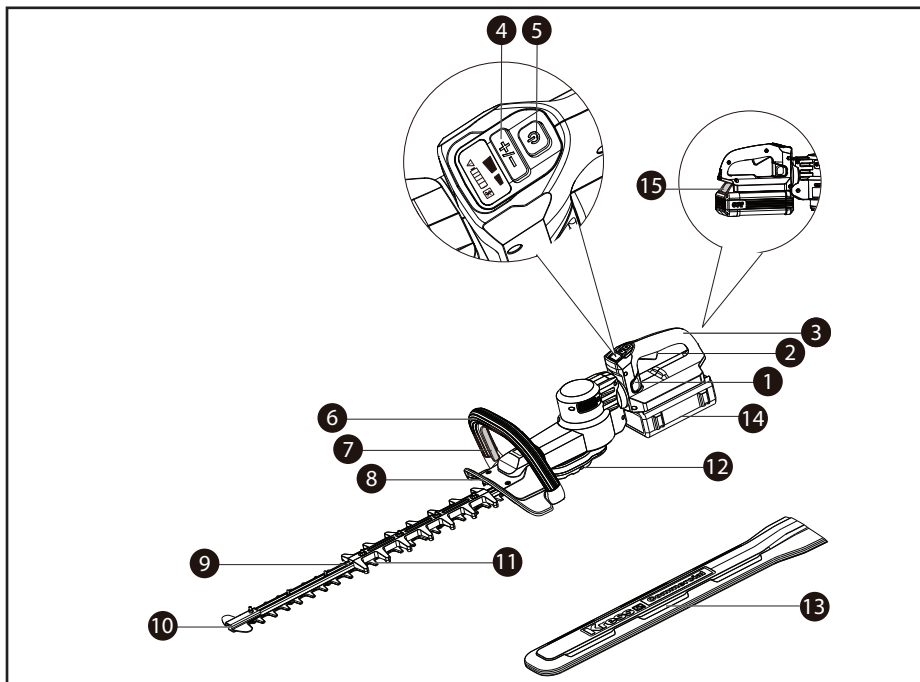
ďakujeme Vám, že ste si kúpili tento výrobok Kress Commercial. Venujeme sa vývoju vysoko kvalitných výrobkov, ktoré vyhovujú vašim komerčným požiadavkám na terénne úpravy.

Značka Kress je synonymom pre prvotriedne služby. Ak budete mať v priebehu celej životnosti vášho výrobku akékoľvek otázky alebo obavy týkajúce sa vášho výrobku, kontaktujte svojho predajcu alebo náš tím zákazníckych služieb so žiadosťou o pomoc.

Sme si istí, že sa vám v nasledujúcich rokoch bude práca s výrobkom Kress páčiť.

## POUŽÍVANIE PODĽA URČENIA

Tento stroj je určený na strihanie a pristrihovanie živých plotov a kríkov v ľahkom a ťažkom komerčnom použití.



## ZOZNAM SÚČASTÍ

- |     |   |
|-----|---|
| 1.  | UZAMYKACÍ SPÍNAČ OTOČNEJ ZADNEJ RUKOVÄTĚ                    |
| 2.  | PÁKA OVLÁDANIA  |
| 3.  | OTOČNÁ ZADNÁ RUKOVÄŤ  |
| 4.  | TLAČIDLO OVLÁDANIA OTÁČOK                                   |
| 5.  | VYPÍNAČ ZAP/VYP   |
| 6.  | PREDNÁ RUKOVÄŤ  |
| 7.  | SPÍNAČ PRÍTOMNOSTI OPERÁTORA (VŠESTRANNÁ FUNKCIA PREPÍNAČA) |
| 8.  | BEZPEČNOSTNÝ KRYT   |
| 9.  | NOŽE NOŽNÍC   |
| 10. | CHRÁNIČ HROTU   |
| 11. | KRYT ZADNEJ ČEPELE  |
| 12. | KOVOVÁ PREVODOVÁ SKRIŇA                                     |
| 13. | OCHRANNÉ PUZDRO   |
| 14. | BATÉRIOVÝ *   |
| 15. | TLAČIDLO UVOLNENIA BATÉRIE                                  |

\* Nie všetko zobrazené alebo popisované príslušenstvo je súčasťou štandardnej dodávky.

# PŔVODNÝ NÁVOD NA POUŽITIE BEZPEČNOSŤ VÝROBKU VŠEOBECNÉ BEZPEČNOSTNÉ UPOZORNENIA



**VAROVANIE** Prečítajte si všetky bezpečnostné varovania, pokyny, zoznáme sa s ilustráciami a technickými údajmi dodanými s týmto elektrickým náradím. Nedodržanie akýchkoľvek nižšie uvedených pokynov môže mať za následok úraz elektrickým prúdom, vznik požiaru alebo vážneho úrazu.

**Odložte si všetky varovania a inštrukcie pre budúcu potrebu.**

Výraz „elektrické ručné náradie“ vás vo varovaniach odkazuje buď na náradie na elektrický pohon (napájané z elektrickej siete) alebo na akumulátorové náradie (napájané z akumulátora).

## 1) Bezpečnosť na pracovisku

- a) **Udržujte pracovisko čisté a dobre osvetlené.** Pracovisko plné nepotrebných predmetov alebo slabo osvetlené zvyšuje možnosť úrazu.
  - b) **Nepoužívajte elektrické ručné náradie v prostredí náchylnom na explózie, ako napríklad v prítomnosti horľavých tekutín, plynov alebo prachu.** Elektrické ručné náradie vytvára iskry, ktoré môžu vznietiť prach alebo výparu.
  - c) **Udržujte deti a prízerajúcich sa v dostatočnej vzdialenosti pri práci s elektrickým ručným náradím.** Strata pozornosti môže viesť k strate kontroly nad náradím.
- ## 2) Bezpečnosť pri práci s elektrinou
- a) **Prípojky elektrického ručného náradia musia byť zhodné so zástrčkami.** Nemodifikujte prípojku žiadnym spôsobom. Nepoužívajte spolu s uzemneným ručným náradím žiadne adaptérové prípojky, ktoré neumožňujú ochranu uzemnením. Pôvodné prípojky a k nim prislúchajúce zástrčky znižujú riziko úrazu elektrickým prúdom.
  - b) **Vyhýbajte sa kontaktu s uzemnenými povrchmi, ako napríklad rúrkami, radiátormi, sporákmi a chladničkami.** Keď je vaše telo spojené s uzemneným predmetom alebo stojí na uzemnenom území, je zvýšené riziko elektrického šoku.
  - c) **Zariadenie nepoužívajte v daždi alebo v mokrych podmienkach.** Môže to zvýšiť riziko zásahu elektrickým prúdom. V prípade zvlhnutia počas prevádzky

sa musí zariadenie a batéria vysušiť pred uskladnením alebo nabíjaním. Ak sa zariadenie nepodarí zapnúť, vyberte batériu a znovu ju vložte. Prípojky batérie udržiavajte čisté a na ich čistenie používajte mäkkú a suchú kefku alebo handričku.

- d) **Nezaobchádzajte s káblom prípojky necitlivo. Nikdy si nepriťahujte elektrické ručné náradie k sebe pomocou kábla, neťahajte ho za sebou pomocou kábla a nevytrhávajte kábel zo zástrčky aby ste ručné náradie vypli.** Nevystavujte kábel vysokým teplotám, oleju, ostrým hranám alebo pohyblivým častiam. Poškodené alebo zamotané káble môžu viesť k zvýšenému riziku elektrického šoku.
  - e) **Pri práci s ručným náradím v exteriéri použite predlžovací kábel vhodný na použitie v exteriéri.** Použitím kábla vhodného na použitie v exteriéri redukuje riziko vzniku elektrického šoku.
  - f) **Pokiaľ je práca s ručným náradím vo vlhkých podmienkach nevyhnutná, použite napájanie chránené ističom typu prúdový chránič (RCD).** Použitie RCD ističa redukuje riziko vzniku elektrického šoku.
- ## 3) Osobná bezpečnosť
- a) **Buďte sústredení, sledujte, čo robíte, a pri práci s ručným náradím sa riadte zdravým rozumom.** Nepoužívajte ručné náradie, keď ste unavení alebo pod vplyvom omamných látok, alkoholu alebo liekov. Moment nepozornosti pri práci s ručným náradím môže viesť k vážnemu osobnému zraneniu.
  - b) **Použite osobné ochranné pomôcky.** Vždy noste ochranu očí. Ochranné pomôcky, ako napríklad protiprachová maska, topánky s protišmykovou podrážkou alebo chrániče sluchu použité v príslušných podmienkach pomáhajú redukovat' vážne osobné zranenia.
  - c) **Predíd'te neúmyselnému zapnutiu.** Uistite sa, že prepínač je vo vypnutej pozícii, pred tým, než zapojíte náradie do elektriny a/alebo k akumulátoru, pri zdvihnutí alebo nosení náradia. Nosenie náradia s prstom na prepínači alebo aktívneho náradia, ktoré je zapnuté, zvyšuje možnosť úrazu.
  - d) **Odstráňte akékoľvek nastavovacie kľúče alebo kľúče na matice a skrutky pred tým, než zapnete ručné náradie.** Nastavovací alebo iný kľúč ponechaný pripavený na rotujúcej časti ručného náradia môže spôsobiť osobný úraz.
  - e) **Nepreceňujte sa. Udržujte si stabilitu a pevnú zem pod nohami za každých podmienok.** Umožňuje vám to lepšiu kontrolu nad ručným náradím v neočakávaných situáciách.

**f) Oblečte sa náležite. Nenoste voľné oblečenie alebo šperky. Svoje vlasy a voľné oblečenie držte mimo dosahu pohyblivých častí. Voľné oblečenie, šperky alebo dlhé vlasy sa môžu do pohyblivých častí zachytiť.**

**g) Pokiaľ sú zariadenia nastavené na spojenie so zariadeniami na zachytávanie a extrakciu prachu, uistite sa, že sú náležite využitú a pripojené. Použitím zberača prachu redukujete riziká spojené s prachom.**

**h) Nedovoľte, aby ste vďaka skúsenostiam získaným častým používaním elektrického náradia prestali dodržiavať základy bezpečného použitia. Neopatrný úkon môže spôsobiť vážny úraz v priebehu zlomku sekundy.**

**4) Použitie a údržba ručného náradia**

**a) Nepreťažujte ručné náradie. Použite správne ručné náradie na danú činnosť. Správne ručné náradie spraví prácu lepšie a v medziach, na ktoré bolo navrhnuté.**

**b) Nepoužívajte ručné náradie, pokiaľ sa prepínač neprepína medzi zapnutím a vypnutím. Akékoľvek ručné náradie, ktoré nie je kontrolovateľné prepínačom, je nebezpečné a musí byť opravené.**

**c) Pred akýmkoľvek nastavením, výmenou násad alebo uskladnením elektrického náradia vyťahnite sieťovú zástrčku zo zásuvky alebo, ak to bude možné, vyťahnite akumulátor.**

*Takéto preventívne bezpečnostné opatrenia redukujú riziko náhodného zapnutia ručného náradia.*

**d) Keď ručné náradie nepoužívate, skladujte ho mimo dosahu detí a nedovoľte osobám, ktoré nemajú skúsenosti s prácou s ručným náradím alebo neboli oboznámené s týmito inštrukciami, dotýkať sa náradia. Ručné náradie je nebezpečné v rukách netrénovanej osoby.**

**e) Vykonávajte pravidelnú údržbu elektrického náradia a príslušenstva. Skontrolujte chybné pripojenia alebo spojenia pohyblivých častí, zlomené časti alebo iné okolnosti, ktoré by mohli ovplyvniť funkčnosť ručného náradia. Pri poškodení musí byť pred použitím najprv elektrické ručné náradie opravené. Mnoho úrazov vzniká preto, že je elektrické ručné náradie zle udržiavané.**

**f) Udržujte rezacie nástroje ostré a čisté. Náležite udržiavané rezacie nástroje s ostrými rezacími hranami sú menej náchylné na „zaseknutie“ a sú ľahšie ovládateľné.**

**g) Používajte elektrické náradie v súlade týmito pokynmi, berte pritom do úvahy pracovné podmienky a druh**

**vykonávanej práce. Ak sa elektrické náradie používa na iné účely, než na čo je určené, môže dochádzať k nebezpečným situáciám.**

**h) Rukoväte a povrchy držiadiel udržiavajte suché, čisté, bez mazív a tukov. Šmyklavé rukoväte a držiadlá neumožňujú bezpečnú manipuláciu a obsluhu náradia v neočakávaných situáciách.**

**5) Používanie a starostlivosť o batériové elektrické náradie**

**a) Nabíjajte iba nabíjačkou určenou výrobcom. Nabíjačka, ktorá je vhodná na jeden typ bloku batérií, môže pri použití s iným typom batérií spôsobiť požiar.**

**b) Elektrické náradie používajte iba s určeným typom bloku batérií. Použitie akéhokoľvek iného typu batérií môže zvýšiť riziko zranenia a požiaru.**

**c) Ak sa blok batérií nepoužíva, neukladajte ho do blízkosti iných kovových predmetov, ako sú sponky na papier, mince, kľúče, klince, skrutky alebo iné drobné kovové predmety, ktoré by mohli skratovať kontakty. Skratovanie kontaktov batérie môže viesť k popáleninám alebo vzniku požiaru.**

**d) Pri nesprávnom používaní môže z batérie vystreknúť kvapalina; vyhýbajte sa styku s ňou. Ak dôjde k styku kvapaliny s pokožkou, opláchnite zasiahnuté miesto vodou. Ak sa kvapalina dostane do očí, ihneď vyhľadajte lekársku pomoc. Kvapalina, ktorá uniká z batérie, môže spôsobiť podráždenie a poleptanie.**

**e) Akumulátor alebo náradie, ktoré je poškodené alebo upravené, nepoužívajte. Poškodené alebo upravené akumulátory môžu mať nepredvídateľné chovanie s následkom požiaru, explózie alebo s nebezpečenstvom úrazu.**

**f) Akumulátor alebo náradie nevyhadzujte do ohňa alebo ho nevystavujte nadmerným teplotám. Pri vhození do ohňa alebo vystavení teplote nad 130 ° C môže dôjsť k explózii.**

**g) Dodržiavajte všetky pokyny pre nabíjanie a akumulátor alebo náradie nenabíjajte mimo teplotný rozsah špecifikovaný v tomto návode. Nesprávne nabíjanie alebo nabíjanie pri teplotách mimo špecifikovaný rozsah môže poškodiť akumulátor a zvýšiť riziko požiaru.**

**6) Servis**

**a) Servisné práce na náradí nechajte vykonať kvalifikovaných pracovníkov s použitím originálnych náhradných dielov. Výsledkom bude trvalá bezpečnosť pri práci s elektrickým náradím.**

**b) Poškodené akumulátory nikdy neopravujte. Servis akumulátorov by mal byť prevedený iba výrobcom alebo autorizovaným**

## **VAROVANIA TÝKAJÚCE SA NOŽNÍC NA ŽIVÉ PLOTY**

- a) **Nožnice na živé ploty nepoužívajte v zlych poveternostných podmienkach, obzvlášť vtedy, keď existuje riziko bleskov.** Toto znižuje riziko zasiahnutia bleskom.
- b) **Všetky napájacie káble a iné káble držte ďalej od oblasti strihania.**  
*Napájacie káble alebo iné káble môžu byť v živom plote alebo kríkoch skryté a nože ich môžu omylom prestrihnúť.*
- c) **Používajte ochranu sluchu.** Dostatočný ochranný výstroj zníži riziko poškodenia sluchu.
- d) **Pri práci, počas ktorej sa môžu nože nožnic dostať do kontaktu so skrytými vodičmi, držte elektrické náradie vždy iba za izolované plochy.** Kontakt nožov so „živým“ vodičom spôsobí, že neizolované kovové časti náradia budú taktiež „živé“, čo spôsobí obsluhu úraz elektrickým rádom.
- e) **Udržujte všetky časti tela v bezpečnej vzdialenosti od pohybujúcich sa nožov. Ak sú nože nožnic v pohybe, neodstraňujte ostríhaný materiál a nedržte materiál, ktorý budete strihať.**  
*Nože sa stále pohybujú aj po vypnutí vypínača. Chvilková nepozornosť pri práci s nožnicami na živé ploty môže viesť k spôsobeniu vážneho zranenia.*
- f) **Pri odstraňovaní zaseknutého materiálu alebo opravovaní zariadenia sa uistite, že všetky spínače sú vypnuté a batériový blok musí byť vybratý alebo odpojený.** *Náhle spustenie nožnic na živé ploty pri odstraňovaní zaseknutého materiálu alebo ich opravovaní môže mať za následok závažné zranenie operátora.*
- g) **Prenášajte nožnice za rukoväť a vždy so zastavenými nožmi nožnic a dávajte pozor, aby ste nestlačili žiadny spínač.** *Správna manipulácia s nožnicami na živé ploty zníži riziko možného zranenia osôb, ktoré by bolo spôsobené nožmi nožnic.*
- h) **Keď nožnice na živé ploty prepravujete alebo skladujete, na nože vždy zložte kryt.** *Pri správnej manipulácii s nožnicami na živé ploty sa zníži riziko zranenia operátora nožmi.*
- i) **Skontrolujte živý plot, či neobsahuje cudzie prvky, ako sú napríklad natiahnuté drôty a skryté elektrické vedenie.**
- j) **Nožnice na živé ploty správne držte, napr. oboma rukami, ak sú vybavené dvoma rúčkami.**
- k) **Operátor musí pri obsluhovaní nožnic**

na živé ploty stáť na zemi a nie na rebríkoch ani iných nestabilných podperách.

- l) **Používateľ musí pred prevádzkovaním nožnic na živé ploty skontrolovať, či je zaist'ovacie zariadenie(-a) (ak sa používa) ktorýchkoľvek pohyblivých dielov (napr. predĺžené rameno a otočný čap), v zaistenej polohe.**
- m) **Údržbu akéhokoľvek nastaviteľného brzdného mechanizmu vykonávajte v pravidelných intervaloch.**
- n) **Nedvíhajte ani neunášajte krovinoz na živý plot používajúc jeden úchyt.**

## **BEZPEČNOSTNÉ VAROVANIA TÝKAJÚCE SA BATÉRIÍ**

- a) **Nepokúšajte sa demontovať, rozbierať alebo rozrezávať batérie alebo jej články.**
- b) **Batérie neskratujte.** Neukladajte batérie náhodne v škatuliach alebo v zásuvkách, kde by mohlo dôjsť k ich vzájomnému skratovaniu alebo k skratovaniu spôsobenému inými predmetmi. Ak sa batéria nepoužíva, udržujte ju v bezpečnej vzdialenosti od sponiek na papieri, mincí, kl'účov, klincov, skrutiek alebo iných malých kovových predmetov, ktoré môžu spôsobiť prepojenie kontaktov batérie. Skratovanie kontaktov batérie môže spôsobiť popáleniny alebo požiar.
- c) **Nevystavujte batériu pôsobeniu tepla alebo ohňa.** Vyvarujte sa skladovania batérií na otvorenom slnku.
- d) **Nevystavujte batériu mechanickým rázom.**
- e) **Ak dôjde k úniku kvapaliny z batérie, zabráňte tomu, aby sa táto kvapalina dostala do kontaktu s pokožkou alebo aby zasiahla oči.** Ak dôjde k takému kontaktu, zasiahnuté miesto umyte značným množstvom vody a vyhľadajte lekárske ošetrenie.
- f) **Udržujte batérie čisté a suché.**
- g) **Ak sú svorky batérie znečistené, utrite ich čistou a suchou handričkou.**
- h) **Batéria musí byť pred použitím nabitá.** Vždy postupujte podľa uvedených pokynov a používajte správny postup nabíjania.
- i) **Nenechávajte batériu nabíjať, ak nebude batéria použitá.**
- j) **Po dlhodobom uložení budete možno musieť vykonať niekoľko cyklov nabíjania a vybíjania, aby batéria dosiahla svoj maximálny výkon.**
- k) **Vykonávajte nabíjanie iba v nabíjačke,**









ktorá je špecifikovaná spoločnosťou Kress. **Nepoužívajte inú nabíjačku, než je nabíjačka špeciálne dodaná na použitie s týmto zariadením.**

- l) Nepoužívajte žiadnu batériu, ktorá nie je určená na použitie s týmto zariadením.**
- m) Ukladajte batérie mimo dosahu detí.**
- n) Uchovajte originálnu dokumentáciu k tomuto výrobku na budúce odkazy.**
- o) Ak sa zariadenie nepoužíva, vyberte z neho batériu.**
- p) Vykonávajte riadnu likvidáciu batérie.**
- q) V zariadení nekombinujte batériové články rôzneho dátumu výroby, kapacity, veľkosti alebo typu.**
- r) Batériu uchovávajte ďalej od mikrovlnných rúr a zariadení pod vysokým tlakom.**
- s) Upozornenie! Nepoužívajte jednorazové batérie.**

## POŽIADAVKY NÁVODU NA OBSLUHU PRE BEZDRÔTOVÝ VÝROBOK

- a) Prevádzka tohto zariadenia podlieha nasledujúcim dvom podmienkam:
- (1) Toto zariadenie nesmie spôsobovať škodlivé rušenie a
  - (2) Toto zariadenie musí akceptovať akékoľvek prijaté rušenie, vrátane rušenia, ktoré môže spôsobiť nežiaducu činnosť.
- b) Pozor: Zmeny alebo úpravy tohto zariadenia, ktoré nie sú výslovne schválené stranou zodpovednou za zhodu, môžu zrušiť oprávnenie používateľa prevádzkovať toto zariadenie.
- c) **POZNÁMKA:** Toto zariadenie generuje, používa a môže vyžarovať rádiový frekvenčnú energiu a ak nie je nainštalované a používané v súlade s pokynmi, môže spôsobiť škodlivé rušenie rádiového alebo televízneho príjmu, čo sa dá zistiť vypnutím a zapnutím zariadenia, používateľovi sa odporúča, aby sa pokúsil napraviť rušenie jedným alebo viacerými z nasledujúcich opatrení:
- Presmerujte alebo premiestnite prijímaciu anténu.
  - Zväčšite vzdialenosť medzi zariadením a prijímačom.
  - Zapojte zariadenie do zásuvky v inom okruhu, než ku ktorému je pripojený prijímač.
  - Požiadajte o pomoc predajcu alebo skúseného rádio/TV technika.

## SYMBOLY

|  |   |
|--|---|
|   | Kvôli zníženiu rizika poranenia je potrebné, aby si používateľ najprv prečítal návod.   |
|   | Výstraha  |
|   | Používajte ochranu očí  |
|   | Používajte chrániče sluchu  |
|   | Používajte protiprachovú masku  |
|   | Udržujte ruky v bezpečnej vzdialenosti  |
|   | Používajte ochranné rukavice.   |
|   | Nespaľujte ich  |
|    | Akumulátory sa môžu pri nesprávnom spôsobe likvidácie dostať do systému kolobehu vody, čo môže ohroziť vlastný ekosystém. Doslúžili akumulátory nelikvidujte ako zmesový komunálny odpad.   |
| <br>Li-Ion<br> | Akumulátor Li-Ion. Tento výrobok bol označený symbolom "triedený odpad" pre všetky jednotlivé a zložené akumulátory. Preto musí byť s ohľadom vplyvu na životné prostredie po doslúžení recyklovaný alebo demontovaný. Akumulátory obsahujú nebezpečné látky, preto môžu byť nebezpečné pre životné prostredie a ľudské zdravie |
|   | Elektrické výrobky sa nesmú likvidovať spolu s domácim odpadom. Recyklujte v zberných miestach na tento účel zriadených. O možnosti recyklácie sa informujte na miestnych úradoch alebo u predajcu.   |



Pred vykonávaním akéhokoľvek nastavenia, opravy alebo údržby vždy vyberte z náradia batériu.

## MONTÁŽ A OBSLUHA

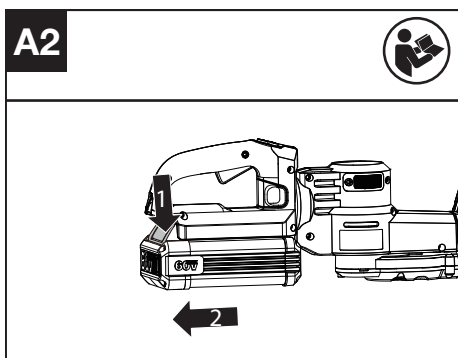
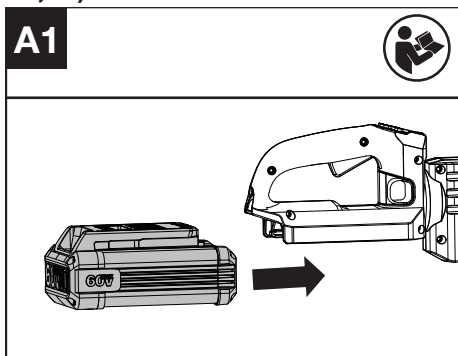


**POZNÁMKA:** Pred tým, ako náradie použijete, prečítajte si návod na použitie.



**PRED POUŽITÍM:**

**Vloženie A Vybratie Batérie (Pozri obr. A1,A2)**

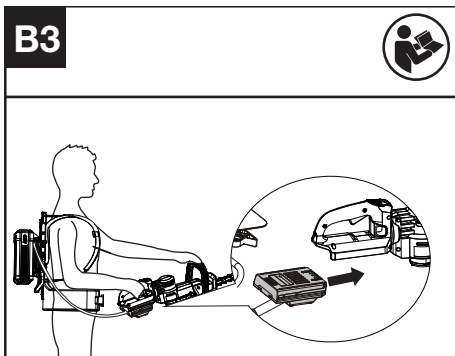
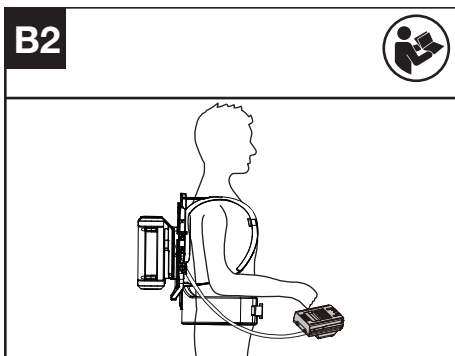
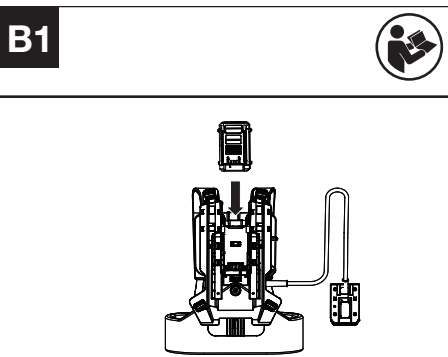


1. Zasuňte batériu do priehradky na batériu, kým nebudete počuť cvaknutie.
2. Stlačením tlačidla na uvoľnenie batérie uvoľníte batériu z náradia.

### Pripojenie nožníc na živé ploty k batohu sestrojom(Pozri Obr. B1,B2,B3)

Batériový blok vložte do batohu sestrojom a potom konektor zapojte do zariadenia. Batoh sestrojom si nasadíte na chrbát.

Viac podrobností nájdete v príručke k chrbtovému popruhu.



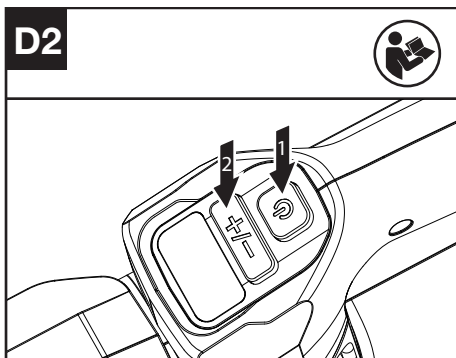
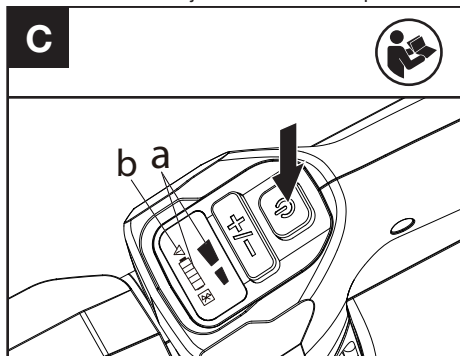
### Testovanie nožníc a batérie (Pozri obr. C)

#### Kontrola ovládacích prvkov Páčka predného spínača a páčka zadného spínača

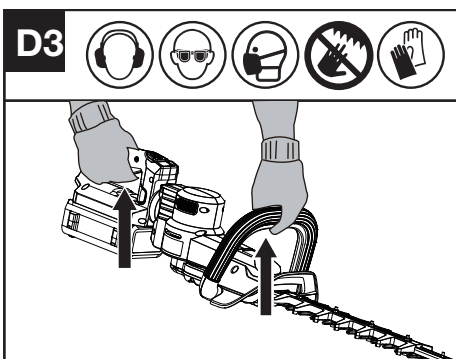
1. Odstráňte batériu.
2. Stlačte a uvoľnite páčku predného spínača a páčku zadného spínača. Ak sa páčka zadného spínača alebo páčka predného spínača zasekne a nemôže sa vrátiť späť do pôvodnej polohy. Prestaňte nožnice používať a kontaktujte servisného zástupcu.

## Kontrola displeja

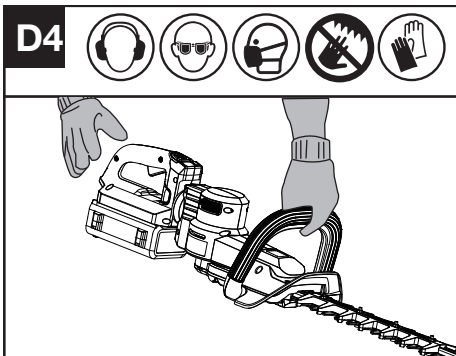
1. Vložte batériu.
2. Pridržte a stlačte vypínač.  
Výrobok je zapnutý, keď svieti LED (a).  
Výrobok je vypnutý, keď nesvieti LED (a).
3. Ak sa výstražný indikátor (b) rozsvieti alebo bliká, riešenia nájdete v časti Riešenie problémov.
4. Stlačte páčku predného spínača a potom stlačte páčku zadného spínača, aby ste spustili stroj.
5. Uvoľnite páčku zadného spínača. Nožnice sa zastavia. Ak sa nožnice nemôžu zastaviť, vyberte batériu a kontaktujte servisného zástupcu.



Stlačením páčky predného spínača a páčky zadného spínača naštartujete. (Pozri obr. D3)



Nožnice zastavte uvoľnením zadnej a prednej prepínacej páčky. (Pozri Obr. D4)



Keď zariadenie nepoužívate, vypnite ich a odpojte od batoha s postrojom.

## Otočná zadná rukoväť' (Pozri Obr. E1, E2)

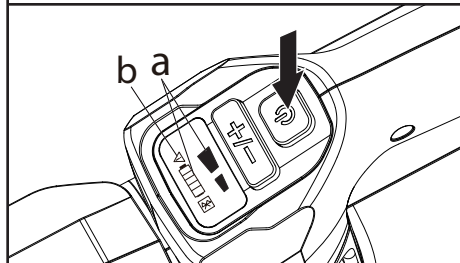
**POZNÁMKA:** Pred otočením odistite uzamykateľný prepínač.

Po otočení rukoväte do požadovanej polohy

C



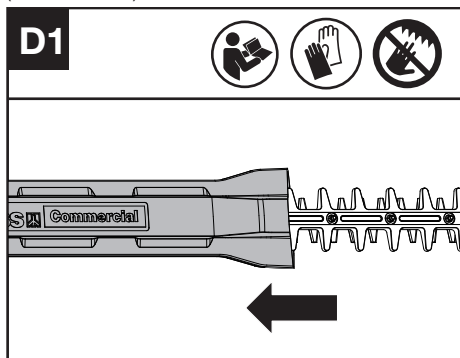
b a



## OBSLUHA

### Spustenie & Zastavenie

Pred použitím najskôr odstráňte kryt z nožovej lišty (Pozri Obr. D1)

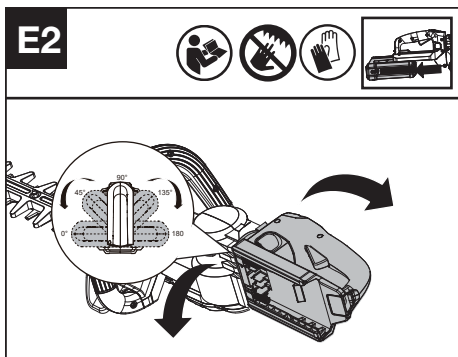
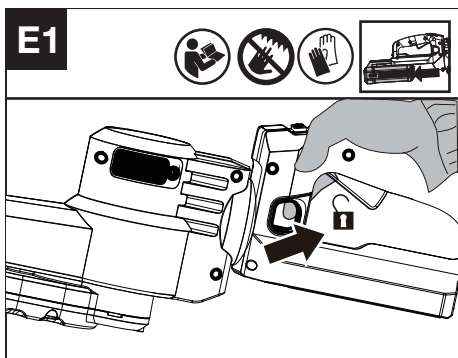


### Výber rýchlosti

1. Stlačte vypínač.
2. Stlačením tlačidla ovládania otáčok zvolte požadované otáčky.(Pozri obr. D2)

rukoväte mierne upravte, až zaznie cvaknutie.

**!** **VAROVANIE:** Pred uvedením do prevádzky sa vždy uistite, či je rukoväť zaistená v požadovanej polohe. Pred spustením nožnic na živý plot sa vždy uistite, či je uzamykateľný prepínač otáčania zaistený. Neotáčajte s rukoväťou, pokiaľ sú nožnice v prevádzke.



### Ako sa nožnice na živé ploty používajú

Pred každým použitím skontrolujte najskôr priestor, kde budete s nožnicami pracovať, a odstráňte všetky predmety, ktoré môžu byť odmrštené alebo ktoré by sa mohli namotať na nože nožníc. Pred spustením držte tieto nožnice na živé ploty vždy oboma rukami a tak, aby nože nožníc smerovali smerom od vás.

Ak striháte čerstvo obrastané živé ploty, používajte široké oblúkové pohyby tak, aby boli nové stonky navádzané priamo do nožov nožníc.

Pred začatím strihania počkajte, pokiaľ nože nožníc nedosiahnu maximálne otáčky. Vždy pracujte v bezpečnej vzdialenosti od ostatných osôb a pevných predmetov, ako sú steny, veľké kamene, stromy, vozidlá atď.

Ak dôjde k zastaveniu nožov nožníc, okamžite tieto nožnice zastavte. Pred pokusom o odstránenie zaseknutých zvyškov rastlín medzi nožmi uvoľnite obe spínacie páky.

Pri strihaní prhlivých alebo pichľavých rastlín

používajte ochranné rukavice. Nepokúšajte sa strihať stonky alebo vetvičky, ktoré sú pre nože nožníc príliš veľké.

### Strihanie hornej časti kra (Pozri Obr. F)

Používajte široký oblúkový pohyb. Najlepšie pracovné výsledky zaručuje mierny sklon nožov nožníc v smere vykonávaného pohybu.

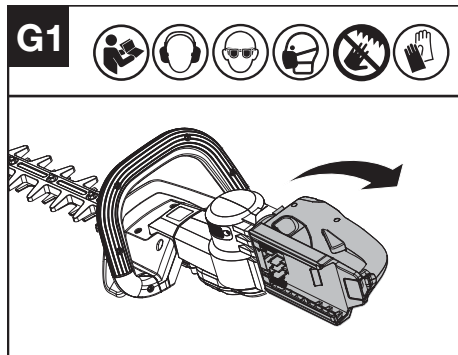
**!** **VAROVANIE:** Ak niektoré súčasti úplne chýbajú alebo sú poškodené alebo zlomené, nepoužívajte akumulátorové nožnice do tej doby, kým nebudú všetky poškodené diely vymenené alebo opravené. V opačnom prípade môže dôjsť k vážnemu zraneniu. **NEPOUÍVAJTE TOTO NÁRADIE BEZ RIADNE UPEVNENÉHO KRYTU A PREDNEJ RUKOVÄTI.**



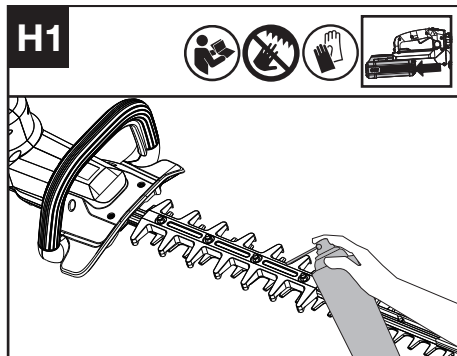
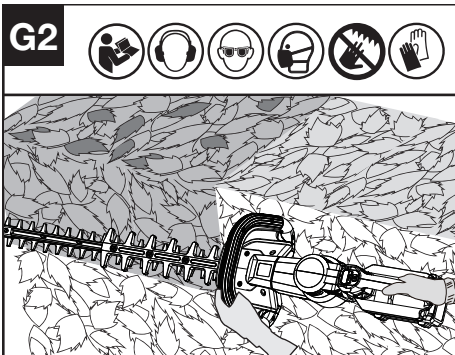
### Strihanie bočnej časti kra (Pozri Obr. G1, G2)

Pri strihaní bočnej časti živého plotu začnite prácu v jeho spodnej časti a strihajte smerom hore tak, aby sa živý plot hore zužoval dovnútra. Tento tvar odhalí väčšiu časť živého plotu, čo má za následok jeho rovnomernejší rast.

**!** **VAROVANIE:** Pred otočením rukoväte chod nožníc vypnite.



SK



## PREPRAVA

### Preprava vyžinača

1. Vypnite vyžinač a vyberte batériu.
2. Priručnej preprave vyžinača držte stred hriadeľa s reznou hlavou smerom dozadu a uistite sa, že je stroj rovnobežný so zemou.
3. Pri preprave vyžinača vo vozidle ho zaistíte a umiestnite tak, aby ste zabránili jeho pohybu alebo poškodeniu.

### Preprava batérie

1. Uistite sa, že je batéria v bezpečnom stave.
  2. Pri preprave batérie používajte nevodivé obaly.
  3. Obsiahnuté lítium-iónové batérie podliehajú požiadavkám legislatívy o nebezpečných tovaroch.
- Batérie prepravujte iba vtedy, keď nie je kryt batérie poškodený. Batérie zabalte tak, aby sa v obale nemohli pohybovať.

## ÚDRŽBA

**!** **UPOZORNENIE!** Vždy odstráňte batériu pred vykonávaním údržby nožnic!

### Pred vykonávaním akéhokoľvek nastavenia, opravy alebo údržby vždy vyberte z náradia batériu.

Vo vašom náradí nie sú žiadne diely, ktorých opravu by mohol vykonávať používateľ. Nikdy nepoužívajte pri čistení vášho elektrického náradia vodu alebo chemické čistiace prostriedky. Utrite a očistite náradie suchou handričkou. Vždy ukladajte toto elektrické náradie na suchom mieste. Udržujte v čistote vetracie otvory motora. Udržujte v čistote všetky ovládacie prvky.

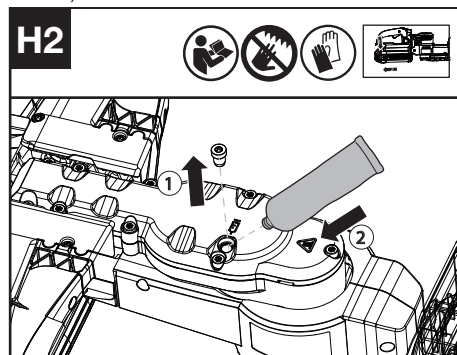
### Mazanie nožov nožnic (Pozri Obr. H1)

**POZNÁMKA:** Je dôležité používať iba odporúčaný štandardný mazací olej (WD-40), aby nedošlo k poškodeniu ostria.

### Mazanie prevodovej skrinky (Pozri Obr. H2)

Z prevodovej skrinky odskrutkujte závitovú zátku. Do prevodovej skrinky nalejte olej cez nalievací otvor po každých 50 hodinách prevádzky. Z krytu prevodovej skrinky odskrutkujte skrutky a kryt odstráňte. Mazanie po každých 300 hodinách prevádzky.

**POZNÁMKA:** Na dosiahnutie najlepšej prevádzky a dlhej životnosti nalievajte do prevodovej skrinky nožnic na živé ploty mazací olej (SHELL Gadus S2 V220 1).



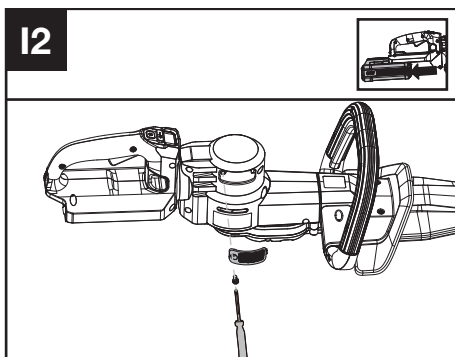
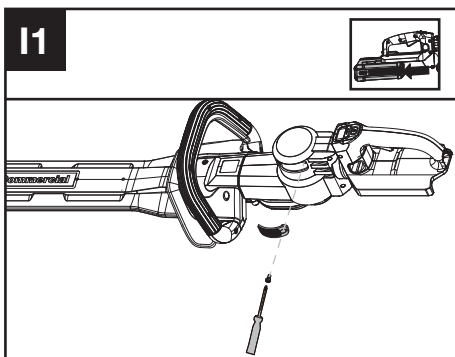
### OSTRENIE

**!** **VÝSTRAHA:** Zariadenie neprevádzkujte s tupými alebo poškodenými nožmi, čo môže spôsobiť preťaženie a nedostatočný výkon. Pri znížení výkonu strihania nože znova naostríte. Keď sa výkon strihania začne zhoršovať, nechajte čepel znovu nabrúsiť odborníkom. Pri manipulácii s čepelou nožnic vždy noste ochranné rukavice a brúste iba ostrie. Ostrite len rezné hrany. Nebrúste tupé vyčnievajúce časti nožov ani ich ochranný kryt. Drsné okraje rezných hrán vyhladte osličkou. Keď sú nože naostrené, odstráňte z nich prach.

### Čistenie vzduchového filtra (Pozri Obr. I1, I2)

1. Vyčistíte oblasť okolo vzduchového filtra. Použite

- vlhkú handričku alebo mäkkú kefku.
- Odskrutkujte a vyberte vzduchový filter.
- Umyte vzduchový filter tečúcou vodou, aby ste odstránili nečistoty.
- Nechajte vzduchový filter vyschnúť na vzduchu. Potom ho znova nainštalujte do krytu utiahnutím skrutky



## ČISTENIE

- Vypnite nožnice a vyberte batériu.
- Nepoužívajte agresívne čistiace prostriedky alebo rozpúšťadlá. Po použití stroj očistite vlhkou handričkou namočenou v jemnom čistiacom prostriedku.
- Udržujte pripojenie batérie bez prachu a nečistôt a vyčistite mäkkou a suchou kefou alebo handričkou.
- Nestriekajte vodu na motor a elektrické komponenty.
- Na čistenie stroja nepoužívajte tlakovú umývačku.

## SKLADOVANIE

- Pred uskladnením vyberte z nožíc batériu.
- Nožnice a batériu skladujte na suchom a bezpečnom mieste, ktoré je neprístupné deťom a iným neoprávneným osobám.

- Batériu skladujte iba v teplotnom rozsahu od 41 (5 °C) do 77 °F (25 °C). Napríklad nenechávajte batériu v lete v aute.
- V prípade zvlhnutia počas prevádzky sa musí zariadenie a batéria vysušiť pred uskladnením alebo nabíjaním. Ak sa zariadenie nepodarí zapnúť, vyberte batériu a znovu ju vložte.

## PRE AKUMULÁTOROVÉ NÁRADIE

Odporúčaný rozsah okolitej teploty pre vybíjanie je -20 až 45°C (-4 až 113 °F).

Odporúčený rozsah okolitej teploty pre nabíjací systém v priebehu nabíjania je -5°C~45°C (23°F~113°F).

## ODSTRÁŇOVANIE PROBLÉMOV

V nasledujúcej tabuľke sú uvedené kontroly a činnosti, ktoré môžete vykonať, ak vaše zariadenie správne nefunguje.



**UPOZORNENIE:** Pred riešením akéhokoľvek problému vypnite zariadenie a odpojte batériu.

### RYZÍNAČ

| Problémy                            | Možné príčiny                    | Opravné opatrenie  |
|-------------------------------------|----------------------------------|--|
| LED kontrolka batérie bliká         | Nízke napätie batérie.           | Nabite batériu.  |
| Bliká červená chybová LED kontrolka | Preťaženie.                      | Rezací nástavec je zaseknutý, deaktivujte výrobok. Odstráňte batériu. Vyčistite rezací nástavec od nežiaducich materiálov. |
|                                     | Problém s teplotou.              | Nechajte výrobok vychladnúť.   |
|                                     | Iné problémy                     | Kontaktujte servisného zástupcu  |
| Výrobok sa nespustí                 | Nečistoty v konektoroch batérie. | Vyčistite konektory batérie stlačeným vzduchom alebo mäkkou kefou.   |
|                                     | Iné problémy                     | Kontaktujte servisného zástupcu.   |

|                           |   |   |
|---------------------------|---|---|
| Vyžinač beží nepravidelne | Batéria nie je úplne vložená do zariadenia.   | Úplne vložte batériu.                                     |
|                           | Potenciálny elektrický problém.               | Kontaktujte servisného zástupcu.                          |
| Nadmerné vibrácie/hluk.   | Problém s upevnením rezu. Stroj je poškodený. | Vymeňte rezací nástavec. Kontaktujte servisného zástupcu. |

## BATÉRIA

| Problémy                     | Možné príčiny       | Opravné opatrenie   |
|------------------------------|---------------------|---|
| Svieti chybová LED kontrolka | Batéria je vybitá   | Nabite batériu. Ak sa batéria nenabija, kontaktujte servisného zástupcu.  |
|                              | Problém s teplotou. | Na nabíjanie používajte batériu v prostredí, kde sú teploty medzi -5 až 45 °C (23 až 113 °F); -20 až 45 °C (-4 až 113 °F) na vybitie. |
|                              | Iné                 | Obráťte sa na svojho servisného zástupcu.   |

## TECHNICKÉ ÚDAJE

Typ: **KC201 KC201.X (201- označenie strojového zariadenia, reprezentujúce akumulátorové nožnice na živý plot)**

|                         | KC201 KC201.X**       |
|-------------------------|-----------------------|
| Napätie                 | 60 V $\equiv$ MAX *** |
| Rýchlosť rezania        | 4400/5000 SPM         |
| Dĺžka čepele            | 63 cm (25")           |
| Rozstup zubov           | 30 mm (1.18 inch)     |
| Stupeň ochrany          | IPX4                  |
| Hmotnosť (Holé náradie) | 3.8 kg (8.3 lbs)      |

\*\* X = 1-999, A-Z, M1-M9 sú len pre rôznych zákazníkov, medzi týmito modelmi nie sú žiadne zmeny týkajúce sa bezpečnosti.

\*\*\* Napätie merané bez prevádzkového zaťaženia. Počiatočné nabitie batérie dosahuje maximálne 60 Voltov. Nominálne napätie je 54 Voltov.

## ODPORÚČANÉ BATÉRIE A NABIJAČKY

| Batériový                     | Kapacita | Nabijačka | Amperage |
|-------------------------------|----------|-----------|----------|
| KAC800                        | 4 Ah     | KAC840    | 30 A     |
| KAC810 (S postrojom na batoh) | 11 Ah    |           |          |
| KA3000                        | 2.0 Ah   |           |          |

Odporúčame, aby ste si príslušenstvo zakúpili u toho istého predajcu, ktorý vám predal prístroj. Ďalšie podrobnosti nájdete na obale príslušenstva. Váš predajca vám môže pomôcť a poradiť.

## TECHNICKÉ ÚDAJE PRE BATÉRIU (VOLITEL'NÉ)

|   |                 |
|---|-----------------|
| Frekvenčné pásma pre Bluetooth          | 2400-2483.5 MHz |
| Maximálny prenášaný výkon pre Bluetooth | 8 dBm           |

## INFORMÁCIE O HLUKU

|                        |                                |
|------------------------|--------------------------------|
| Meraný akustický tlak  | $L_{pA} = 87.48 \text{ dB(A)}$ |
| $K_{pA}$               | 3.0 dB(A)                      |
| Meraný akustický výkon | $L_{wA} = 95.48 \text{ dB(A)}$ |
| $K_{wA}$               | 0.97 dB(A)                     |

**Používajte ochranu sluchu.**



## INFORMÁCIE O VIBRÁCIÁCH

Výsledné celkové hodnoty pre vibrácie (suma pre trojosový vektor) stanovené podľa normy EN 62841:

|                                   |   |
|-----------------------------------|---|
| Typická nameraná hodnota vibrácií | Zadná: $a_h = 2.42 \text{ m/s}^2$<br>Predná: $a_h = 2.50 \text{ m/s}^2$ |
| Nepresnosť                        | Zadná: $K = 1.5 \text{ m/s}^2$<br>Predná: $K = 1.5 \text{ m/s}^2$       |

Deklarovaná celková hodnota vibrácií a deklarovaná úroveň vytváraného hluku boli merané v súlade so štandardnými skúšobnými postupmi a môžete ich použiť na vzájomné porovnanie jednotlivých náradí. Deklarovaná celková hodnota vibrácií a deklarovaná úroveň vytváraného hluku môžu byť tiež použité na predbežné stanovenie doby práce s náradím.



**VAROVANIE:** Vibrácie a hlučnosť pri aktuálnom použití elektrického náradia sa od deklarovaných môžu líšiť v závislosti od spôsobu, akým je náradie používané, a hlavne od typu spracovávaného obrobku podľa nasledujúcich príkladov a ďalších spôsobov, akými je náradie používané:

Ako sa náradie používa a aké materiály sa budú rezať alebo vrtat.

Náradie musí byť v dobrom stave a musí byť vykonávaná jeho riadna údržba.

S náradím sa musí používať správne príslušenstvo, a toto príslušenstvo musí byť ostré a v dobrom stave. Pevnosť uchopenia rukovätí a či je použité akékoľvek príslušenstvo znižujúce úroveň vibrácií a hluku.

Toto náradie môže byť použité iba na určené účely a podľa týchto pokynov.

**Ak sa toto náradie nepoužíva zodpovedajúcim spôsobom, môže spôsobiť syndróm choroby spôsobenej pôsobením vibrácií na ruky a paže obsluhy.**



**VAROVANIE:** Ak chcete byť presní, odhad času pôsobenia vibrácií v aktuálnych podmienkach pri použití tohto náradia by mal brať do úvahy taktiež všetky časti pracovného cyklu, ako sú časy, kedy je náradie vypnuté a kedy je v chode vo voľnoběžných otáčkach, ale v skutočnosti nevykonáva žiadnu prácu. Čas pôsobenia vibrácií tak môže byť v rámci celkového pracovného času značne skrátený.

Pomáha minimalizovať riziko pôsobenia vibrácií a hluku.

VŽDY používajte ostré sekáče, vrtáky a nože. Vykonávajte údržbu tohto náradia podľa týchto pokynov a zaistíte jeho riadne mazanie (ak je to vhodné).

Ak bude náradie používané pravidelne, potom investujte do príslušenstva znižujúceho úroveň vibrácií a hluku.

Vypracujte si svoj plán práce, aby ste pôsobenie vysokých vibrácií tohto náradia rozdelili do niekoľkých dní.

## OCHRANA ŽIVOTNÉHO PROSTREDIA



Elektrické výrobky sa nesmú likvidovať spolu s domácim odpadom. Recyklujte v zberných miestach na tento účel zriadených. O možnosti recyklácie sa informujte na miestnych úradoch alebo u predajcu.

## VYHLÁSENIE O ZHODE

MY,

Positec Germany GmbH

Postfach 680194, 50704 Cologne, Germany

V mene spoločnosti Positec vyhlasujeme, že produkt

Popis **Bateriové nožnice na živé ploty**

Typ **KC201 KC201.X (201-označenie**

**strojového zariadenia, zástupca**

**spoločnosti na nožnice na živé ploty)**

Funkcia **Strihanie živých plotov a krovín**

Zodpovedá nasledujúcim smerniciam:

**2006/42/EC, 2014/30/EU, 2011/65/**

**EU&(EU)2015/863, 2000/14/EC upravená smernicou 2005/88/EC**

2000/14/EC upravená smernicou 2005/88/EC:

- Postup vyhodnotenia zhody podľa Dodatku V

- Meraný akustický výkon 95.48 dB (A)

- Deklarovaný zaručený akustický výkon

96.45 dB (A)

Spĺňa posudzované normy,

**EN 62841-1, EN 62841-4-2, EN ISO 3744,**

**EN IEC 55014-1, EN IEC 55014-2, EN IEC**

**63000**

Osoba zodpovedajúca za technickú dokumentáciu,

**Meno Marcel Filz**

**Adresa Positec Germany GmbH**

**Postfach 680194, 50704 Cologne, Germany**

SK



2024/06/19

Allen Ding

Zástupca vrchnej konštruktívnej kancelárie,

Testovanie & Certifikácia

Positec Technology (China) Co., Ltd

18, Dongwang Road, Suzhou Industrial

Park, Jiangsu 215123, P. R. China

# KAZALO VSEBINE

|                                 |     |
|---------------------------------|-----|
| Uvod.....                       | 164 |
| Sestavni deli.....              | 165 |
| Varnost izdelka.....            | 166 |
| Sestavljanje in delovanje.....  | 169 |
| Transport.....                  | 173 |
| Vzdrževanje.....                | 173 |
| Čiščenje.....                   | 174 |
| Shranjevanje.....               | 174 |
| Odpravljanje napak.....         | 174 |
| Tehnični podatki.....           | 175 |
| <b>SL</b> Varovanje okolja..... | 176 |
| Izjava o skladnosti.....        | 176 |

## UVOD

Spoštovana stranka,

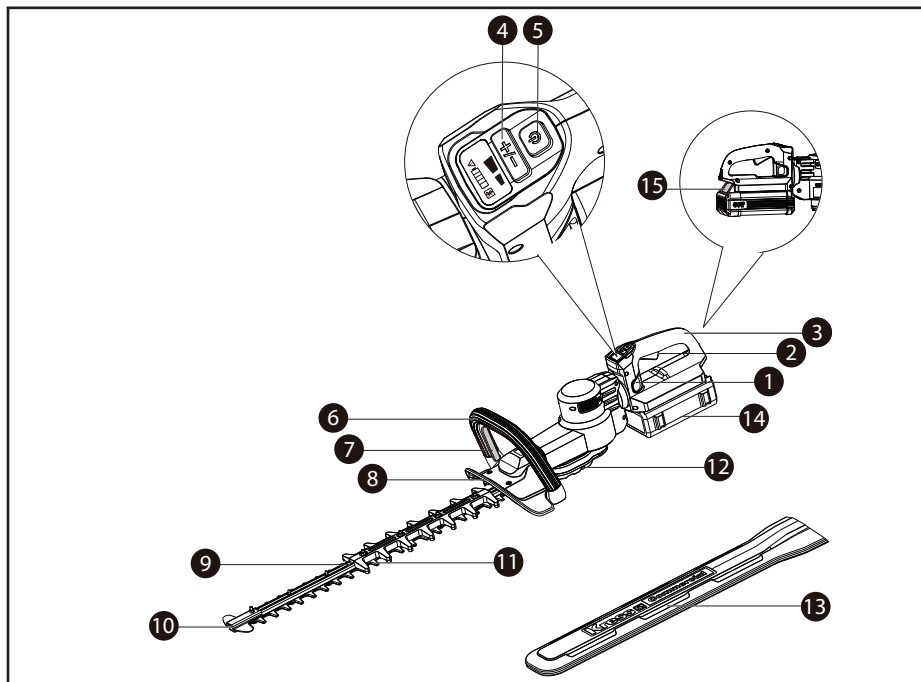
Hvala za nakup tega izdelka Kress Commercial. Predani smo razvoju visokokakovostnih izdelkov, ki ustrezajo vašim zahtevam komercialnega urejanja okolice.

Znamka Kress je sinonim za storitve vrhunske kakovosti. Če imate v času življenjske dobe vašega izdelka kakršna koli vprašanja ali pomisleke glede vašega izdelka, se za pomoč obrnite na svojega prodajalca ali našo skupino za pomoč strankam.

Prepričani smo, da boste z uporabo vašega izdelka Kress uživali še vrsto let.

## NAMEN UPORABE

Ta stroj je namenjen rezanju in obrezovanju živih mej ter grmičevja za lahko in težko komercialno uporabo.



## SESTAVNI DELI

- |     |  |
|-----|--|
| 1.  | <b>STIKALO ZA ZAKLEPANJE ZA VRTLJIV ZADNJI ROČAJ</b>                       |
| 2.  | <b>SPROŽILEC PLINA</b>   |
| 3.  | <b>VRTEČI SE ZADNJI ROČAJ</b>  |
| 4.  | <b>GUMB ZA NADZOR HITROSTI</b>   |
| 5.  | <b>STIKALO ZA VKLOP/IZKLOP</b>   |
| 6.  | <b>SPREDNJI ROČAJ</b>  |
| 7.  | <b>STIKALO PRISOTNOSTI ZA UPRAVLJAVCA (FUNKCIJA VSESTRANSKEGA STIKALA)</b> |
| 8.  | <b>VAROVALO</b>  |
| 9.  | <b>REZILO</b>  |
| 10. | <b>ŠČITNIK KONICE</b>  |
| 11. | <b>ZAŠČITA ZADNJEGA REZILA</b>   |
| 12. | <b>KOVINSKI MENJALNIK</b>  |
| 13. | <b>ZAŠČITA REZILA</b>  |
| 14. | <b>AKUMULATOR *</b>  |
| 15. | <b>GUMB ZA SPROSTITEV BATERIJE</b>   |

\* Pri standardni dobavi niso vključeni vsi prikazani dodatki.

# IZVIRNA NAVODILA VARNOST IZDELKA SPLOŠNA VARNOSTNA OPOZORILA



**OPOZORILO** Pred uporabo orodja, pazorno preberite vsa varnostna opozorila, navodila, pregledje ilustracije ter preverite tehnične podatke orodja.

Neupoštevanje opozoril in navodil lahko privede do električnega udara in/ali resnih poškodb.

**Vsa opozorila in napotila shranite, ker jih boste v prihodnje še potrebovali.**

Pojem „električno orodje“, ki se pojavlja v nadaljnjem besedilu, se nanaša na električna orodja z električnim pogonom (z električnim kablom) in na akumulatorska električna orodja (brez električnega kabla).

## 1) Varnost na delovnem mestu

- a) **Delovno področje naj bo vedno čisto in dobro osvetljeno.** Nered in neosvetljena delovna področja lahko povzročijo nezgode.
- b) **Ne uporabljajte električnega orodja v okolju, kjer lahko pride do eksplozij oziroma tam, kjer se nahajajo vnetljive tekočine, plini ali prah.** Električna orodja povzročajo iskenje, zaradi katerega se lahko prah ali para vnameta.
- c) **Prosimo, da med uporabo električnega orodja ne dovolite otrokom ali drugim osebam, da bi se Vam približali.** Odvračanje Vaše pozornosti drugam lahko povzroči izgubo kontrole nad napravo.

## 2) Električna varnost

- a) **Priključni vtikač električnega orodja se mora prilegati vtičnici.** Spreminjanje vtičaka na kakršenkoli način ni dovoljeno. Pri ozemljenih električnih orodjih ne uporabljajte vtičacev z adapterji. Nespremenjeni vtičaki in ustrezne vtičnice zmanjšujejo tveganje električnega udara.
- b) **zogibajte se telesnemu stiku z ozemljenimi površinami kot so na primer cevi, grelci, štedilniki in hladilniki.** Tveganje električnega udara je večje, če je Vaše telo ozemljeno.
- c) **Stroja ne uporabljajte v dežju ali mokrih pogojih. To lahko poveča nevarnost električnega udara.** Ko se med delovanjem zmočita zaradi dežja, je treba stroj in baterijo pred shranjevanjem ali polnjenjem posušiti. Odstranite baterijo in jo znova vstavite, če se stroj ne vklopi. Priključek za baterijo naj bo čist in brez tujkov, očistite ga z mehko in suho krtačo ali krpo.
- d) **Ne uporabljajte kabla za nošenje ali obešanje električnega orodja in ne vlecite za kabel, če želite vtičak izvleči iz vtičnice. Kabel zavarujte**

**pred vročino, oljem, ostrimi robovi ali premikajočimi se deli naprave.**

Poškodovani ali zapleteni kabli povečujejo tveganje električnega udara.

- e) **Kadar uporabljate električno orodje zunaj, uporabljajte samo kabelske podaljške, ki so primerni za delo na prostem.** Uporaba kabelskega podaljška, ki je primeren za delo na prostem, zmanjšuje tveganje električnega udara.
  - f) **Če je uporaba električnega orodja v vlažnem okolju neizogibna, uporabljajte stikalo za zaščito pred kvarnim tokom.** Uporaba zaščitnega stikala zmanjšuje tveganje električnega udara.
- ## 3) Osebna varnost
- a) **Bodite pozorni, pazite kaj delate ter se dela z električnim orodjem lotite z razumom. Ne uporabljajte električnega orodja, če ste utrujeni oziroma če ste pod vplivom mamil, alkohola ali zdravil.** Trenutek nepazljivosti med uporabo električnega orodja je lahko vzrok za resne telesne poškodbe.
  - b) **Uporabljajte osebno zaščitno opremo in vedno nosite zaščitna očala.** Nošenje osebne zaščitne opreme, na primer maske proti prahu, nedrsečih zaščitnih čevljev, varnostne čelade ali zaščitnih glušnikov, kar je odvisno od vrste in načina uporabe električnega orodja, zmanjšuje tveganje telesnih poškodb.
  - c) **zogibajte se nenamernemu zagonu. Pred priključitvijo električnega orodja na električno omrežje in/ali na akumulator in pred dviganjem ali nošenjem se prepričajte, če je električno orodje izklopljeno.** Prenašanje naprave s prstom na stikalo ali priključitev vklopljenega električnega orodja na električno omrežje je lahko vzrok za nezgodo.
  - d) **Pred vklopljanjem električnega orodja odstranite nastavitvena orodja ali izvijače.** Orodje ali ključ, ki se nahaja v vrtečem se delu naprave, lahko povzroči telesne poškodbe.
  - e) **Izogibajte se nenormalni telesni drži. Poskrbite za trdno stojišče in za stalno ravnotežje.** Tako boste v nepričakovanih situacijah električno orodje lahko bolje nadzorovali.
  - f) **Nosite primerna oblačila. Ne nosite ohlapnih oblačil in nakita. Poskrbite, da se med delovanjem električnega orodja vaši lasje, oblačila in rokavice, ne bodo ujeli med premikajoče se dele.** Premikajoči se deli orodja lahko zagrabijo ohlapno oblačilo, dolge lase ali nakit.
  - g) **Če ima električno orodje predvideno namestitev enot za odsesavanje prahu ali zbiranje delcev, poskrbite, da bodo te tudi pravilno nameščene in uporabljene.** Če uporabljate enoto za zbiranje delcev, obstaja manjša nevarnost nesreč zaradi prahu.

- h) Upoštevajte, da boste s pogosto uporabo orodja, z njim postali zelo domači, zaradi česar bi lahko ravnali ravnodušno, ter spregledali varnostna pravila za uporabo orodja.** *Nepremišljeno ravnanje lahko že v trenutku nepazljivosti, povzroči resne poškodbe.*
- 4) Skrbna uporaba in ravnanje z električnimi orodji**
- a) Ne preobremenjujte naprave. Pri delu uporabljajte električna orodja, ki so za to delo namenjena.** *Z ustreznim električnim orodjem boste v navedenem zmogljivostnem področju delali bolje in varneje.*
- b) Ne uporabljajte električnega orodja s pokvarjenim stikalom.** *Električno orodje, ki se ne da več vklopiti ali izklopiti, je nevarno in ga je potrebno popraviti.*
- c) Pred vsakršnimi prilagoditvami, nastavitvami, menjavanjem priključkov ali shranjevanjem, morate električno orodje izklopiti iz napajanja ali iz njega odstraniti akumulator.** *Ta previdnostni ukrep preprečuje nenameren zagon električnega orodja.*
- d) Električna orodja, ki jih ne uporabljate, shranjajte izven dosega otrok. Osebam, ki naprave ne poznajo ali niso prebrale teh navodil za uporabo, naprave ne dovolite uporabljati.** *Električna orodja so nevarna, če jih uporabljajo neizkušene osebe.*
- e) Električna orodja in pripomočke redno vzdržujte. Nadzirajte brezhibno delovanje premičnih delov orodja, ki se ne smejo zatikati. Če so ti deli zlomljeni ali poškodovani do te mere, da ovirajo delovanje električnega orodja, jih je potrebno pred uporabo orodja popraviti.** *Slabo vzdrževana električna orodja so vzrok za mnoge nezgode.*
- f) Rezalna orodja vzdržujte tako, da bodo vedno ostra in čista.** *Skrbno negovana rezalna orodja z ostrimi robovi se manj zatikajo in so lažje vodljiva.*
- g) Električna orodja, pribor, vsadna orodja in podobno uporabljajte ustrezno tem navodilom. Pri tem upoštevajte delovne pogoje in dejavnost, ki jo boste opravljali.** *Uporaba električnih orodij v namene, ki so drugačni od predpisanih, lahko privede do nevarnih situacij.*
- h) Poskrbite, da bodo ročaji in ostale prijemalne površine, vedno suhi, čisti in brez ostankov olj ali masti.** *Če pride do nepredvidenih situacij, vam spolzki ročaji in prijemalne površine ne zagotavljajo varnega rokovanja in nadzora nad orodjem.*
- 5) Skrbno ravnanje in uporaba akumulatorskih orodij**
- a) Akumulatorske baterije polnite samo v polnilnikih, ki jih priporoča proizvajalec. Polnilnik, ki je namenjen**
- določeni vrsti akumulatorskih baterij, se lahko vname, če ga boste uporabljali skupaj z drugačnimi akumulatorskimi baterijami.*
- b) V električnih orodjih uporabljajte le akumulatorske Mbaterije, ki so zanje predvidene.** *Uporaba drugih akumulatorskih baterij lahko povzroči telesne poškodbe ali požar.*
- c) Akumulatorska baterija, katere ne uporabljate, ne sme priti v stik s pisarniškimi sponkami, kovanci, žebliji, vijaki in drugimi manjšimi kovinskimi predmeti, ki bi lahko povzročili premestitev kontaktov.** *Kratek stik med akumulatorskimi kontakti lahko ima za posledico opekline ali požar.*
- d) V primeru napačne uporabe lahko iz akumulatorske baterije izteče tekočina. Izogibajte se kontaktu z njo. Pri naključnem kontaktu s kožo spirajte z vodo.** *Če pride tekočina v oko, dodatno poiščite tudi zdravniško pomoč. Iztekajoča akumulatorska tekočina lahko povzroči draženje kože ali opekline.*
- e) Ne uporabljajte poškodovanih ali prilagojenih akumulatorskih baterij oz. orodij.** *Poškodovane ali prilagojene akumulatorske baterije ali prilagojene akumulatorske baterije se lahko nepredvidljivo obnašajo, kar lahko povzroči požar, eksplozijo ali tveganje za poškodbe.*
- f) Akumulatorske baterije ali orodja ne izpostavljajte ognju previsoki temperaturi. Izpostavljenost ognju ali previsoki temperaturi.** *Izpostavljenost ognju ali vročini nad 130oC lahko povzroči eksplozijo.*
- g) Upoštevajte navodila za polnjenje in ne polnite akumulatorske baterije ali orodja pri temperaturi, ki je izven območja, navedenega v navodilih.** *Če orodje polnite na nepravilen način ali pri temperaturah, ki so izven določenega območja, lahko pride do poškodb akumulatorske baterije, kar poveča tveganje za požar.*
- 6) Servisiranje**
- a) Vaše električno orodje naj popravila le kvalificirano strokovno osebje, ki uporablja originalne nadomestne dele.** *Tako bo zagotovljena predpisana varna uporaba orodja.*
- b) Nikoli ne servisirajte poškodovanih akumulatorjev.** *Poškodovane akumulatorje lahko servisira le proizvajalec ali pooblaščen servisier.*

## **VARNOSTNA OPOZORILA ZA ŠKARJE ZA ŽIVO MEJO:**

- a) Obrezovalnika žive meje ne**

uporabljajte v slabih vremenskih razmerah, zlasti kadar obstaja nevarnost udara strele. To zmanjša tveganje, da ga udari strela.

- b) Vse napajalne kable in kable držite stran od območja rezanja.** Napajalni kabli ali kable so med delovanjem lahko skriti v živi meji ali grmovju ter jih rezilo lahko ponesreči prereže.
- c) Nosite zaščito za ušesa.** Ustrezen zaščitni opremi zmanjša tveganje za izgubo sluha.
- d) Električno orodje smete med delom držati le na izoliranem ročaju, saj lahko pride do dotika rezila s skritimi omrežnimi kable orodja.** Stik rezila z napeljavo, ki je pod napetostjo, lahko povzroči, da so posledično tudi kovinski deli naprave pod napetostjo in to vodi do električnega udara.
- e) Poskrbite, da bodo vsi deli telesa varno oddaljeni od rezilnih nožev.** Med delovanjem nožev ne poskušajte odstranjevati rezalnega materiala in prav tako ne poskušajte držati materiala, ki ga numeravate odrezati. Rezila se po izklopu stikala še naprej premikajo. Le trenutek nepazljivosti pri uporabi škarij za grmičevje lahko privede do težkih poškodb.
- f) Pri odstranjevanju zagozdenega materiala ali servisiranju enote preverite, ali so vsa stikala za vklop izključena in je baterija odstranjena ali odklopljena.** Nepričakovano aktiviranje obrezovalnika žive meje med čiščenjem zagozdenega materiala ali servisiranjem lahko povzroči resne telesne poškodbe.
- g) Škarje za grmičevje prenašajte za ročaj, nož mora pri tem mirovati in pazite, da ne pritisnete nobenega stikala za vklop.** Skrbno rokovanje z napravo zmanjša nevarnost poškodb, ki bi nastale zaradi noža.
- h) Pri prenašanju ali shranjevanju obrezovalnika žive meje, nanj vedno namestite zaščitni pokrov rezila.** Ustrežno ravnanje z obrezovalnikom žive meje zmanjša tveganje poškodb zaradi rezil.
- i) Pred rezanjem preverite, če so v živi meji morda žice ali drugi tujki in skrito ožičenje.**
- j) Pravilno držite obrezovalnik žive meje, npr. z obema rokama, če sta na voljo dva ročaja.**
- k) Upravljevec naj obrezovalnik žive meje uporablja samo na tleh in ne na lestvah ali kateri koli drugi nestabilni podpiri.**
- l) Pred uporabo obrezovalnika žive meje mora upravljevec zagotoviti, da so zaporne naprave vseh gibljivih elementov (npr. podaljšana gred in vrtljivi element), če obstajajo, v zaklenjenem položaju.**
- m) Vsak nastavljen zaustavitveni mehanizem vzdržujte v rednih intervalih.**

- n) Ne dvigujte ali ne nosite rezalnika žive meje z eno ročico.**

## **VARNOSTNA OPOZORILA ZA AKUMULATOR**

- a) Ne razstavljajte, odpirajte ali odstranjujte celic akumulatorja.**
- b) Pazite, da ne povzročite kratkega stika med kontaktoma akumulatorja.** Akumulatorjev nikoli ne shranjujte v škatli ali predalu, kjer bi lahko prišlo do kratkega stika zaradi stika kontaktov s prevodnimi predmeti. Kadar akumulator ni nameščen v orodju, ga hranite proč od drugih kovinskih predmetov, kot so sponke za papir, kovanci, ključi, žebliji, vijaki ali drugi drobni kovinski predmeti, ki bi lahko omogočili stik med kontaktoma. Če pride do stika med kontaktoma akumulatorja, to lahko povzroči požar.
- c) Akumulatorja ne izpostavljajte vročini ali ognju.** Poskrbite, da ne bo izpostavljen neposredni sončni svetlobi.
- d) Akumulatorja ne izpostavljajte mehanskim udarcem.**
- e) Če opazite, da akumulator pušča, pazite, da tekočina ne bo prišla v stik z očmi.** Če akumulatorska tekočina vseeno pride v stik z očmi, izperite prizadeto območje z obilo vode in poiščite zdravniško pomoč.
- f) Akumulator shranjujte na čistem in suhem mestu.**
- g) Če se akumulator zamaže, ga takoj očistite s čisto in suho krpo.**
- h) Akumulator morate pred uporabo napolniti.** Pri polnjenju akumulatorja vedno upoštevajte predpisana navodila in postopke.
- i) Če akumulatorja ne polnite, ga odstranite iz polnilca.**
- j) Po daljšem obdobju skladiščenja, boste za doseg maksimalne zmogljivosti akumulatorja verjetno morali slednjega nekajkrat napolniti in izprazniti.**
- k) Za polnjenje uporabljajte le polnilnike, ki jih je predpisal Kress.** Nikoli ne uporabljajte polnilnikov, ki niso posebej namenjeni za polnjenje vašega akumulatorja.
- l) Nikoli ne uporabljajte polnilcev, ki niso posebej zasnovani za polnjenje vašega akumulatorja.**
- m) Akumulatorje shranjujte izven dosega otrok.**
- n) Za podrobnosti, si oglejte gradivo, ki je bilo priloženo akumulatorju.**
- o) Če orodja ne uporabljate, iz njega**



**odstranite akumulator.**











- p) Akumulatorje odlagajte skladno s predpisi.**  
**q) V napravi ne uporabljajte celic različnih proizvajalcev, zmogljivosti, velikosti ali tipa.**  
**r) Baterije držite stran od mikrovalov in visokega tlaka.**  
**s) Opozorilo! Ne uporabljajte neponovno polnilnih baterij.**

## ZAHTEVE ZA UPORABNIŠKI PRIROČNIK ZA BREŽIČNI IZDELEK

- a) Delovanje te naprave je odvisno od naslednjih dveh pogojev:  
(1) Ta naprava ne sme povzročati škodljivih motenj in  
(2) ta naprava mora sprejeti vse prejete motnje, vključno z motnjami, ki lahko povzročijo neželeno delovanje.
- b) Pozor: Spremembe ali modifikacije te enote, ki jih stranka, odgovorna za skladnost, izrecno ne odobri, lahko razveljavijo uporabnikovo pooblastilo za uporabo opreme.
- c) **OPOMBA:** Ta oprema ustvarja, uporablja in lahko oddaja radiofrekvenčno energijo in lahko povzroči škodljive motnje v radijskih komunikacijah, če ni nameščena in uporabljena v skladu z navodili. Vendar ni nobenega zagotovila, da ne bo prišlo do motenj pri določeni namestitvi. Če ta oprema povzroča škodljive motnje pri radijskem ali televizijskem sprejemu, kar je mogoče ugotoviti z izklopom in vklopom opreme, uporabnika spodbujamo, da poskuša odpraviti motnje z enim ali več od naslednjih ukrepov:
- Spremenite ali premaknite sprejemno anteno.
  - Povečajte razdaljo med opremo in sprejemnikom.
  - Priključite opremo v vtičnico na tokokrogu ki ni enak tistemu, na katerega je priključen sprejemnik.
  - Za pomoč se posvetujte s prodajalcem ali izkušenim radijskim/TV tehnikom.

## SIMBOLI

|  |   |
|--|---|
|  | Zaradi zmanjševanja nevarnosti poškodb, se temeljito seznanite z navodili za uporabo. |
|  | Opozorilo   |

|  |   |
|--|---|
|    | Uporabljajte zaščito za oči.  |
|   | Uporabljajte zaščito za ušesa   |
|   | Nosite zaščitno masko za prah   |
|   | Z rokami se ne dotikajte  |
|   | Nosite zaščitne rokavice  |
|   | Prepovedano sežiganje.  |
|   | Če se z baterijo ne ravna pravilno, lahko pride v vodni krog in povzroči škodo ekosistemu. Izrabljenih baterij ne odvrzite kot nesortirane komunalne odpadke.   |
| <br>Li-Ion<br> | Litij-ionska baterija, ki je označena s simboli, povezanimi z "ločenim zbiranjem" vseh baterijskih vložkov in baterijskih vložkov. Nato se reciklira ali odstrani, da se zmanjša vpliv na okolje. Baterijski paketi so lahko škodljivi za okolje in zdravje ljudi, ker vsebujejo škodljive snovi. |
|   | Odpadnih električnih naprav ne smete zavreči skupaj z ostalimi gospodinjstvenimi odpadki. Dostavite jih na mesto za ločeno zbiranje odpadkov. Glede podrobnosti, se posvetujte z lokalno službo za ravnanje z odpadki.  |
|   | Pred vsakim prilagajanjem, servisiranjem ali vzdrževanjem izvlcite akumulator iz ležišča.   |

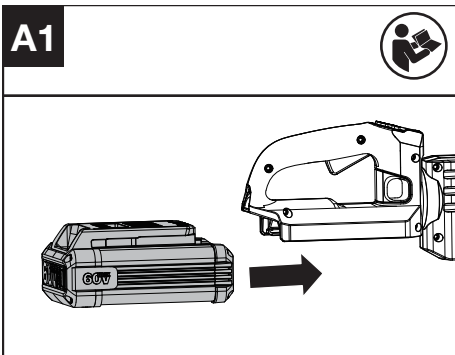
## SESTAVLJANJE IN NAČIN UPORABE

**OPOMBA:** Preden začnete uporabljati strojček, si pozorno preberite navodila.

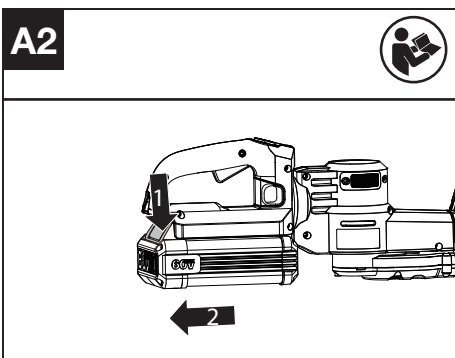
 **PRED UPORABO:**

## Odstranjanje Ali Nameščanje Akumulatorja (Glejte sliko. A1,A2)

### A1



### A2

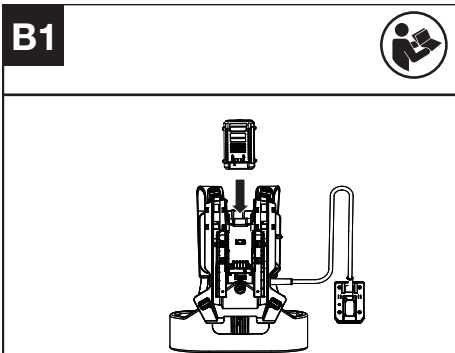


1. Baterijski sklop potisnite v predal za baterije, dokler ne zaslišite klika.
2. Pritisnite gumb za sprostitve baterije, da sprostite baterijski sklop iz orodja.

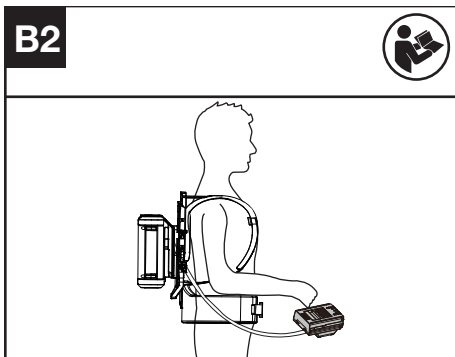
## Priključitev obrezovalnika žive meje na nahrbtnik (Glejte sliko. B1,B2,B3)

Namestite baterijo v nahrbtnik, nato vstavite vtič v napravo. Nadenite si nahrbtnik.  
Več podrobnosti najdete v navodilih za uporabo nahrbtnega ogrodja.

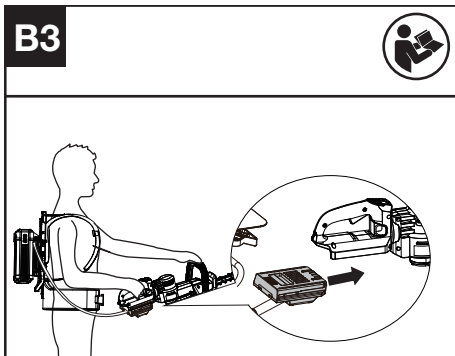
### B1



### B2



### B3



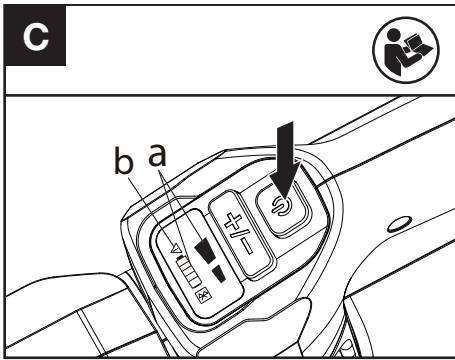
## Preskušanje obrezovalnika in baterije (Glejte sliko. C)

### Preverjanje krmilnikov Stikalo sprednje ročice in stikalo zadnje ročice

1. Odstranite baterijo.
2. Pritisnite in sprostite stikalo sprednje ročice in stikalo zadnje ročice. Če se stikalo zadnje ročice ali stikalo sprednje ročice zatakne in ne more vrniti v prvotni položaj, prenehajte uporabljati obrezovalnik in stopite v stik s servisierjem.

### Preverjanje zaslona

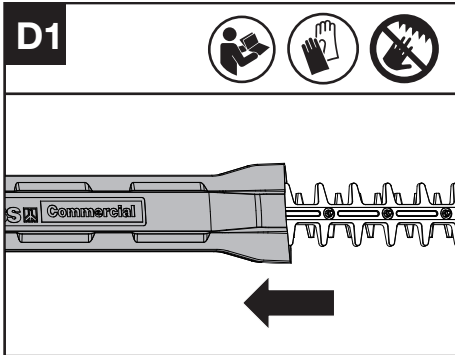
1. Vstavite baterijo
2. Držite in pritisnite stikalo za vklop/izklop. Izdelek je vklopljen, ko LED (a) sveti. Izdelek je izklopljen, ko LED (a) ne sveti.
3. Če opozorilne indikatorske (b) lučke zasvetijo ali utripajo, si za rešitve pogledajte Odpravljanje napak.
4. Pritisnite stikalo sprednje ročice, nato pritisnite stikalo zadnje ročice, da zaženete stroj.
5. Sprostite stikalo zadnje ročice. Obrezovalnik se ustavi. Če se obrezovalnik ne ustavi, odstranite baterijo in stopite v stik s servisierjem.



## NAČIN UPORABE

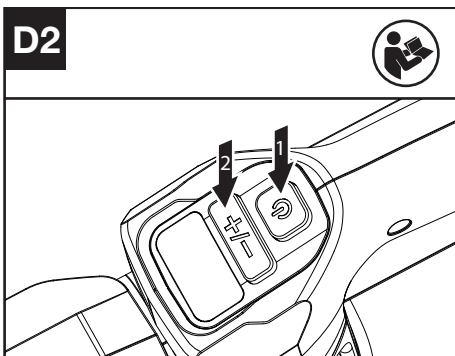
### Zaganjanje & Ugašanje

Pred uporabo najprej odstranite tok rezila. (Glejte sliko. D1)

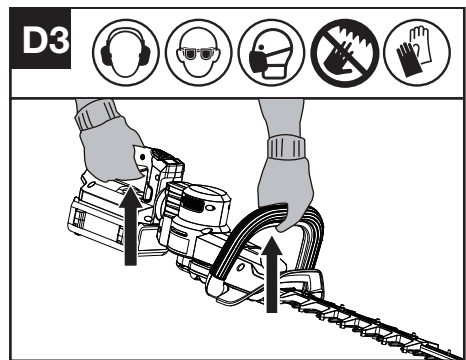


### Izbira hitrosti

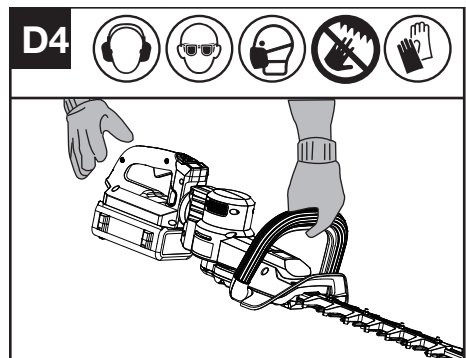
1. Pritisnete stikalo za vklop/izklop.
2. Pritisnete gumb za nadzor hitrosti, da izberete zeleno hitrost. (Glejte sliko. D2)



Nato za zagon pritisnete sprednjo preklopno ročico in zadnjo preklopno ročico. (Glejte sliko D3)



Za zagon pritisnete stikalo sprednje ročice in stikalo zadnje ročice. (Glejte sliko D4)



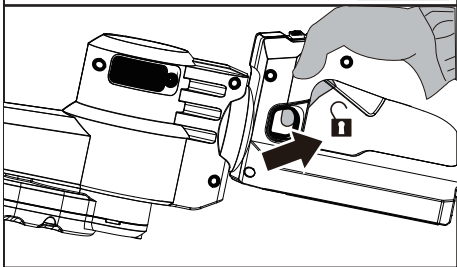
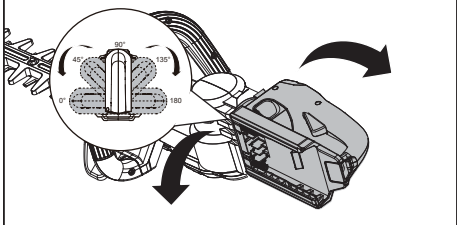
Ko naprave ne uporabljate, izklopite obrezovalnik žive meje in ga odklopite od nahrbtnika.

### Vrteči se zadnji ročaj (Glejte sliko. E1, E2)

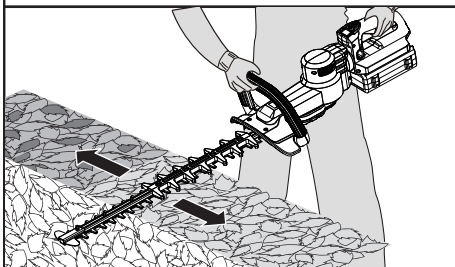
**OPOMBA:** Odklenite zaklep za preprečevanje vrtenja.

Ročaj obrnite v ustrezno smer in ga nastavite v ustrezen položaj, da se zaskoči s klikom.

**! OPOZORILO:** Pred zagonom naprave vedno preverite, če je ročaj zaklenjen v zelenem položaju. Pred zagonom poskrbite, da bo zaklepno stikalo zaskočeno. Med delovanjem naprave, ročaja ne obračajte.

**E1****E2**

**UPORABLJAJTE BREZ NAMEŠČENEGA VAROVALA IN SPREDNJEGA ROČAJA.**

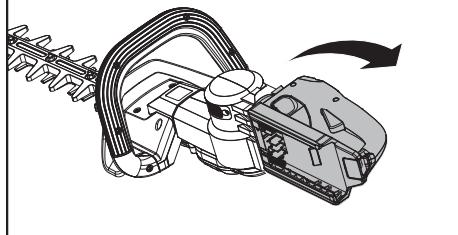
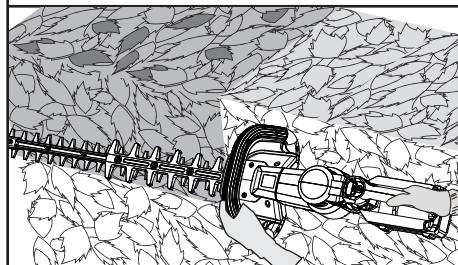
**F**

### Bočno rezanje (Glejte sliko. G1, G2)

Pri bočnem obrezovanju žive meje, začnite spodaj in režite navzgor, pri čemer živo mejo pri vrhu prirežite navznoter. Takšna oblika bo živi meji zagotovila enakomernejšo rast.



**OPOZORILO:** Če želite ročaj obrniti, napravo najprej izklopite.

**G1****G2**

### Kako uporabljati rezalnik žive meje

Preden začnete z delom, najprej odstranite predmete, ki bi jih rezalnik lahko vrgel v zrak, ali bi se ujeli v rezilo.

Rezalnik vedno držite z obema rokama, rezilo pa naj bo ob vklopu obrnjeno proč od vas.

Če režete mlade vejice, rezalnik premikajte s širokimi gibi, da odrezani deli ne bodo padali neposredno na rezilo.

Preden začnete z rezanjem, počakajte, da rezila dosežejo polno hitrost. Med delom imejte rezila obrnjena proč od ljudi in sten, kamnov, dreves, vozil ter drugih predmetov.

Če se rezilo zaustavi, takoj ugasnite rezalnik. Sprostite stikali in šele nato odstranite morebitne tujke iz rezil.

Če režete trnato ali bodičasto grmičevje, uporabljajte zaščitne rokavice.

Nikoli ne režite vej, ki so predebele za rezanje.

### Vrhnje rezanje (Glejte sliko. F)

Rezalnik premikajte v širokih gibih. Najboljše rezultate boste dosegli, če boste sprednji del rezila držali obrnjenega malce navzdol.



**OPOZORILO:** Če kateri od delov manjka ali je poškodovan, rezalnika ne uporabljajte dokler ne bodo vsi deli brezhibno delovali.

Neupoštevanje tega priporočila se lahko odrazi v resnih telesnih poškodbah. **NAPRAVE NIKOLI NE**

# PREVOZ

## Prevoz obrezovalnika

1. Izklopite obrezovalnik in odstranite baterijo.
2. Če prenašate obrezovalnik ročno, držite sredino gredi z rezalno glava zadaj in se prepričajte, da je stroj vzporedno s tlemi.
3. Ko prevažate obrezovalnik v vozilu, ga zavarujte in postavite tako, da se ne bo premikal ali poškodoval.

## Prevoz baterij

1. Zagotovite, da je baterija v varnem stanju.
2. Pri prevozu baterije uporabite neprevodno embalažo.
3. Za vsebovane Li-ionske baterije veljajo zahteve zakonodaje o nevarnem blagu. Baterije prevažajte samo, če ohišje baterije ni poškodovano. Baterije zapakirajte tako, da se v embalaži ne morejo premikati.

# VZDRŽEVANJE

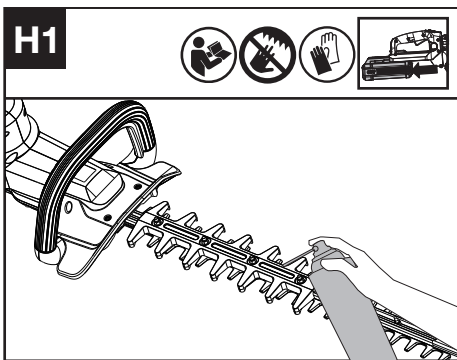
**!** **OPOZORILO! Vedno odstranite baterijo, preden izvedete kakršnokoli vzdrževanje na obrezovalniku.**

**Pred vsakim prilagajanjem, servisiranjem ali vzdrževanjem izvalcite akumulator iz ležišča.**

Naprava tudi nima nobenih delov, ki bi jih morali servisirati. Za čiščenje naprave nikoli ne uporabljajte vode ali kemičnih sredstev. Obrišite jo le s suho krpo. Napravo vedno shranjujte na suhem mestu. Poskrbite, da bodo prezračevalne odprtine čiste. Vsi elementi krmiljenja morajo biti čisti, brez prahu.

## Mazanje rezila (Glejte sliko. H1)

**POZNÁMKA:** Zelo je pomembno, da za mazanje rezila uporabljate le priporočeno standardno olje (WD-40).



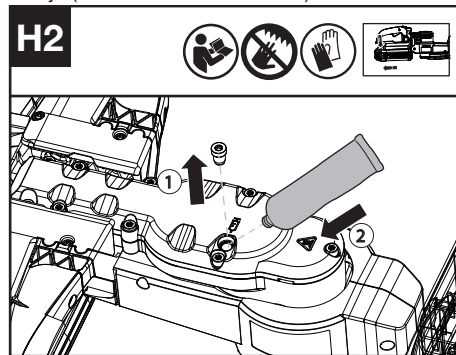
## Mazanje menjalnika (Glejte sliko. H2)

Odstranite navojni čep iz ohišja menjalnika. Mazanje ohišja menjalnika skozi odprtino za olje po vsakih 50

urah delovanja.

Odstranite vijake s pokrova menjalnika in odstranite pokrov. Mazanje po vsakih 300 urah delovanja.

**POZNÁMKA:** Za najboljše delovanje in daljšo življenjsko dobo, ohišje menjalnika namažite z mastjo (SHELL Gadus S2 V220 1).

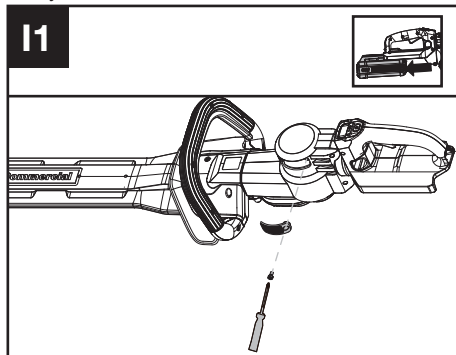


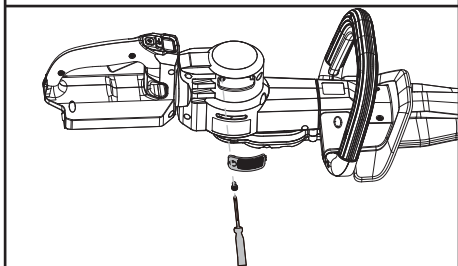
## BRUŠENJE

**!** **OPOZORILO:** Naprave ne uporabljajte s topimi ali poškodovanimi rezili, saj bodo povzročila preobremenitev in nezadovoljivo delovanje. Ko zmogljivost rezanja začne upadati, ponovno nabrusite rezilo. Ko se zmanjša učinkovitost rezanja, naj rezilo ponovno nabrusi strokovnjak. Pri rokovanju z rezilom obrezovalnika, vedno nosite zaščitne rokavice in brusite samo rezalni rob. Brusite samo rezalni rob. Ne brusite topih štrlečih delov rezila ali njegovega ščitnika. Za odstranjevanje zarobkov na rezalnem robu uporabite brus. Po brušenju očistite prah z rezila.

## Čiščenje zračnega filtra (Glejte sliko. I1, I2)

1. Očistite območje okrog zračnega filtra. Uporabite vlažno krpo ali mehko krtačo.
2. Odvijte in odstranite zračni filter.
3. Zračni filter sperite s tekočo vodo, da odstranite umazanijo.
4. Pustite, da se zračni filter posuši na zraku. Nato ga namestite v ohišje tako, da ga privijete z vijakom.





## ČIŠČENJE

1. Izklopite obrezovalnik in odstranite baterijo.
2. Ne uporabljajte agresivnih detergentov ali topil. Po uporabi očistite stroj z vlažno krpo, namočeno v blagi detergent.
3. Prikluček za baterijo naj bo čist in brez tujkov, očistite ga z mehko in suho krtačo ali krpo.
4. Na motor in električne sestavne dele ne pršite vode.
5. Za čiščenje svojega stroja ne uporabljajte visokotlačnega čistilnika.

SL

## SHRANJEVANJE

1. Pred shranjevanjem iz obrezovalnika odstranite baterijski sklop.
2. Obrezovalnik in baterijo shranite na suhem in varnem mestu, ki je nedostopno otrokom in drugim nepooblaščenim osebam.
3. Baterijo shranjujte samo v temperaturnem območju med 5 °C (41 °F) in 25 °C (77 °F). Na primer, poleti ne puščajte baterije v avtu.
4. Ko se med delovanjem zmočita zaradi dežja, je treba stroj in baterijo pred shranjevanjem ali polnjenjem posušiti. Odstranite baterijo in jo znova vstavite, če se stroj ne vklopi.

## ZA AKUMULATORSKA ORODJA

Priporočeni razpon temperature okolja za praznjenje je -20°C~45°C (-4 °F~113 °F). Priporočeno območje temperature okolice pri polnjenju je -5°C~45°C (23°F~113°F).

## ODPRAVLJANJE NAPAK

V naslednji tabeli so opisane napake in dejanja s katerimi jih lahko odpravite.

**!** **OPOZORILO:** Pred odpravljanjem napak vedno najprej odstranite akumulator iz ležišča.

### OBREZOVALNIK

| Težave                           | Možni vzroki                                       | Korektivni ukrep   |
|----------------------------------|--|--|
| LED indikator baterije utripa    | Nizka napetost baterije.                           | Napolnite akumulator.  |
| Rdeča lučka LED utripa za napako | Preobremenitev.                                    | Nastavek za obrezovanje se je zagodzil. Deaktivirajte izdelek. Odstranite baterijo. Očistite nastavek za obrezovanje neželenih materialov. |
|                                  | Težave s temperaturo.                              | Pustite, da se izdelek ohladi.   |
|                                  | Druge težave                                       | Stopite v stik s serviserjem   |
| Izdelek se noče zagnati          | Smeti v konektorjih baterije.                      | Konektorje baterije očistite s stisnjanim zrakom ali mehko krtačo.   |
|                                  | Druge težave                                       | Stopite v stik s serviserjem.  |
| Obrezovalnik deluje občasno      | Baterija ni popolnoma vstavljena v stroj.          | Popolnoma vstavite baterijo.   |
|                                  | Morebitna električna težava.                       | Stopite v stik s serviserjem.  |
| Prekomerne vibracije / hrup.     | Težava z nastavkom za obrezovanje. Stroj v okvari. | Zamenjajte nastavek za obrezovanje. Stopite v stik s serviserjem.  |


### BATERIJA

| Težave | Možni vzroki | Korektivni ukrep |
|--------|--------------|------------------|
|--------|--------------|------------------|

|                     |                         |  |
|---------------------|-------------------------|--|
| LED sveti za napako | Baterija je izpraznjena | Napolnite akumulator.<br>Napolnite baterijo.   |
|                     | Težave s temperaturo.   | Za polnjenje uporabljajte baterijo v okolju, kjer je temperatura med -5 °C do 45 °C (23 °F do 113 °F) za praznjenje; -20 °C do 45°C (-4°F do 113°F). |
|                     | Drugo                   | Stopite v stik z vašim servisierjem.   |

## TEHNIČNI PODATKI

Vrsta: **KC201 KC201.X (201- oznaka stroja, ki predstavlja brezžični obrezovalnik žive meje)**

|                    | <b>KC201 KC201.X**</b>   |
|--------------------|--|
| Napetost           | 60 V  MAX *** |
| Hitrost rezanja    | 4400/5000 SPM  |
| Dolžina rezila     | 63 cm (25")  |
| Razmak med zobmi   | 30 mm (1.18 inch)  |
| Stopnja zaščite    | IPX4   |
| Teža (Golo orodje) | 3.8 kg (8.3 lbs)   |

\*\* X = 1-999, A-Z, M1-M9 so samo za različne kupce, med temi modeli ni nobenih varnostnih sprememb.

\*\*\* Napetost je bila izmerjena brez obremenitve. Začetna napetost akumulatorja doseže maksimum 60 V. Običajna napetost je 54 V.

## PRIPOROČENE BATERIJE IN POLNILNIKI

| Baterija                    | Zmogljivost | Polnilnik | Amperage |
|-----------------------------|-------------|-----------|----------|
| KAC800                      | 4 Ah        | KAC840    | 30 A     |
| KAC810 (S pasom nahrbtnika) | 11 Ah       |           |          |
| KA3000                      | 2.0 Ah      |           |          |

Priporočamo, da dodatno opremo kupite pri istem prodajalcu, ki vam je prodal orodje. Za dodatne podrobnosti glejte embalažo dodatne opreme. Vaš prodajalec vam lahko pomaga in svetuje.

## TEHNIČNI PODATKI ZA BATERIJO (NEOBVEZNO)

|                                  |                 |
|----------------------------------|-----------------|
| Frekvenčni pasovi za Bluetooth   | 2400-2483.5 MHz |
| Največja oddana moč za Bluetooth | 8 dBm           |

## PODATKI O HRUPU

|                                 |                                |
|---------------------------------|--------------------------------|
| Vrednotena raven zvočnega tlaka | $L_{pA} = 87.48 \text{ dB(A)}$ |
| $K_{pA}$                        | 3.0 dB(A)                      |
| Vrednotena raven zvočne moči    | $L_{wA} = 95.48 \text{ dB(A)}$ |
| $K_{wA}$                        | 0.97 dB(A)                     |

**Uporabljajte zaščito za ušesa.**



## PODATKI O VIBRACIJAH

Skupne vrednosti oscilacij (vektorski seštevek treh smeri), skladno z EN 62841:

|                                   |  |
|-----------------------------------|--|
| Tipična vrednotena raven vibracij | Zadnji: $a_h = 2.42 \text{ m/s}^2$<br>Sprednji: $a_h = 2.50 \text{ m/s}^2$ |
| Nezanesljivost meritve            | Zadnji: $K = 1.5 \text{ m/s}^2$<br>Sprednji: $K = 1.5 \text{ m/s}^2$       |

Deklarirana skupna raven vibracij ter deklarirana vrednost emisij hrupa, sta bili izmerjeni skladno s standardno testno metodo in služita primerjavi orodij med seboj.

Deklarirano skupno raven vibracij ter deklarirano vrednost emisij hrupa, lahko uporabljate tudi kot osnovo za ocenjevanje izpostavljenosti.



**OPOZORILO:** Dejanski vrednosti emisij vibracij ter hrupa med uporabo orodja, se lahko razlikujeta od navedenih, kajti nanju vpliva tudi način uporabe orodja ter vrsta obdelovanca, predvsem pa naslednje okoliščine:

Način uporabe orodja in materiali, ki jih lahko obdelujete.

Ali je orodje v dobrem stanju in ustrezno vzdrževano. Ali uporabljate ustrezeni dodatek in njegova brezhibnost.

Čvrstost oprijema ročajev in morebitna uporaba dodatkov za zmanjševanje vibracij.

Uporaba orodja za predviden namen, skladen s temi navodili.

**Če orodja ne uporabljate pravilno, lahko povzroči vibracijski sindrom zapestja in rok.**



**OPOZORILO:** Če želimo resnično natančno oceniti raven izpostavljenosti v dejanskih okoliščinah, moramo upoštevati tudi vse faze delovnega procesa, tudi število vklopov in izklopov strojčka ter čas, ko deluje v prostem teku in neobremenjeno. To lahko znatno zmanjša raven izpostavljenosti tekom celotnega delovnega procesa.

Pomoč pri zmanjševanju tveganja pri izpostavljenosti vibracijam in hrupu.

VEDNO uporabljajte le ostre pripomočke.

Orodje vzdržujte skladno s temi navodili in poskrbite, da bo dobro namazano (kjer je potrebno).

Če boste orodje uporabljali redno, potem investirajte v dodatke za zmanjševanje vibracij in hrupa.

Delo si organizirajte tako, da boste opravila z visoko ravno vibracij izvajali v več fazah, tekom nekaj dni.



2024/06/19

Allen Ding

Namestnik glavnega inženirja za testiranje in certificiranje

Positec Technology (China) Co., Ltd  
18, Dongwang Road, Suzhou Industrial  
Park, Jiangsu 215123, P. R. China

## VAROVANJE OKOLJA



Odpadnih električnih naprav ne smete zavreči skupaj z ostalimi gospodinjskimi odpadki.

Dostavite jih na mesto za ločeno zbiranje odpadkov. Glede podrobnosti, se posvetujte z lokalno službo za ravnanje z odpadki.

## IZJAVA O SKLADNOSTI

MI,  
SL Positec Germany GmbH  
Postfach 680194, 50704 Cologne, Germany

V imenu družbe Positec izjavljamo, da je izdelek  
Opis **Baterijski obrezovalnik žive meje**  
Vrsta **KC201 KC201.X (201-oznaka stroja, ki predstavlja obrezovalnik žive meje)**  
Funkcija **Obrezovanje žive meje in grmičevja**

skladen z naslednjimi direktivami,  
**2006/42/EC, 2014/30/EU, 2011/65/EU&(EU)2015/863, 2000/14/EC**  
**spremenjena z 2005/88/EC**

2000/14/EC spreminjena z 2005/88/EC:  
- Postopek za ugotavljanje skladnosti, glede na Dodatek V  
- Izmerjena raven zvočne moči 95.48 dB (A)  
- Deklarirana raven zvočne moči 96.45 dB (A)

in izpolnjuje naslednje standarde,  
**EN 62841-1, EN 62841-4-2, EN ISO 3744, EN IEC 55014-1, EN IEC 55014-2, EN IEC 63000**

Oseba, ki je pooblaščenca za skladnost tehnične dokumentacije,

**Ime: Marcel Filz**  
**Naslov: Positec Germany GmbH**  
**Postfach 680194, 50704 Cologne,**  
**Germany**

# SADRŽAJ

|                            |     |
|----------------------------|-----|
| Uvod.....                  | 177 |
| Popis komponenti.....      | 178 |
| Sigurnost proizvoda.....   | 179 |
| Sastavljanje i rad.....    | 182 |
| Transport.....             | 186 |
| Održavanje.....            | 186 |
| Čišćenje.....              | 187 |
| Skladištenje.....          | 187 |
| Otklanjanje poteškoća..... | 187 |
| Tehnički podaci.....       | 188 |
| Zaštita okoliša.....       | 189 |
| Izjava o sukladnosti.....  | 189 |

---

HR

## UVOD

Poštovani,

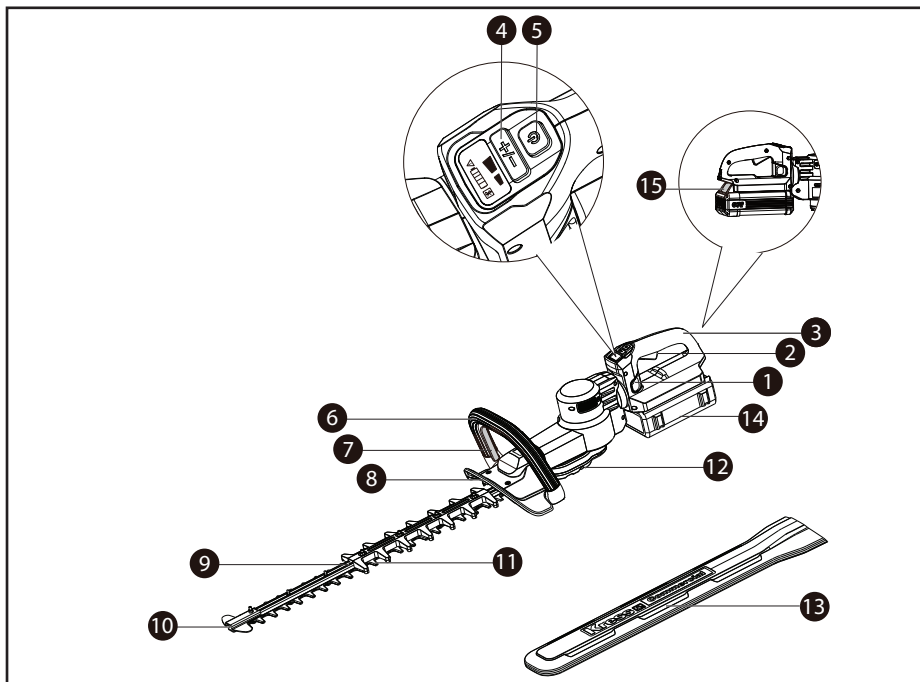
Zahvaljujemo što ste kupili ovaj Kress Commercial proizvod. Posvećeni smo razvoju proizvoda visoke kvalitete kako bismo zadovoljili vaše zahtjeve za komercijalnim uređenjem okoliša.

Brend Kress je sinonim za vrhunsku kvalitetu usluge. Tijekom godina životnog vijeka vašeg proizvoda, ako imate bilo kakvih pitanja ili nedoumica o svom proizvodu, obratite se svom prodavaču ili našem timu za korisničku podršku za pomoć.

Uvjereni smo da ćete godinama uživati u radu sa svojim Kress proizvodom.

## NAMJENSKA UPORABA

Ovaj je stroj namijenjen rezanju i obrezivanju živice i grmlja u laganoj i teškoj komercijalnoj primjeni.



## POPIS KOMPONENTI

- |     |  |
|-----|--|
| 1.  | <b>PREKIDAČ ZA ZAKLJUČAVANJE ZA ROTIRAJUĆU STRAŽNJU RUČKU</b>                            |
| 2.  | <b>AKTIVATOR GASA</b>  |
| 3.  | <b>ROTAIRAJUĆA STRAŽNJA RUČKA</b>  |
| 4.  | <b>GUMB ZA KONTROLU BRZINE</b>   |
| 5.  | <b>PREKIDAČ ON/OFF (UKLJUČENO/ISKLJUČENO)</b>  |
| 6.  | <b>PREDNJA RUČKA</b>   |
| 7.  | <b>PREKIDAČ PRISUTNOSTI RUKOVATELJA (FUNKCIJA PREKIDAČA ALL AROUND (SA SVIH STRANA))</b> |
| 8.  | <b>ZAŠTITNI ČUVAR</b>  |
| 9.  | <b>OŠTRICA</b>   |
| 10. | <b>ŠTITNIK ZA VRHOVE</b>   |
| 11. | <b>STRAŽNJI ŠTITNIK ZA OŠTRICU</b>   |
| 12. | <b>METALNA KUTIJA ZA ZUPČANIK</b>  |
| 13. | <b>POKLOPAC ZA OŠTRICU</b>   |
| 14. | <b>BATERIJSKI KOMPLET *</b>  |
| 15. | <b>GUMB ZA OTPUŠTANJE BATERIJE</b>   |

\* Standardna isporuka ne obuhvaća sav ilustriran ili opisan pribor.

# ORIGINALNE UPUTE ZA RAD SIGURNOST PROIZVO- DA UOBIČAJENA SIGURN- OSNA UPOZORENJA ZA ELEKTRIČNE ALATE



**UPOZORENJE** Pročitajte **sva** sigurnosna upozorenja, upute, ilustracije i specifikacije koje se isporučuju s ovim električnim alatom. Nepoštivanje dolje navedenih uputa može uzrokovati električni udar, požar i/ili ozbiljne ozljede.

**Sačuvajte sve napomene o sigurnosti i upute za buduću primjenu.**

Pojam „električni alat“ u upozorenjima odnosi se na električne alata s priključkom na električnu mrežu (s mrežnim kablom) i električne alate s napajanjem na akumulatorsku bateriju (bez mrežnog kabela).

## 1) Sigurnost na radnom mjestu

- a) **Održavajte radno mjesto čistim i dobro osvijetljenim.** Nered ili neosvijetljeno radno mjesto mogu uzrokovati nezgode.
- b) **Ne radite s električnim alatima u eksplozivnim atmosferama, primjerice onima u kojima ima zapaljivih tekućina, plinova ili prašine.** Električni alati proizvode iskre koje mogu zapaliti prašinu ili pare.
- c) **Tijekom upotrebe električnog alata djecu i druge osobe držite podalje od mjesta rada.** Svako odvratanje pozornosti može uzrokovati gubitak kontrole nad uređajem.

## 2) Električna sigurnost

- a) **Priključni utikač električnog alata mora odgovarati utičnici. Sve su preinake utikača zabranjene. Nemojte upotrebljavati adapterske utikače zajedno sa zaštitno uzemljenim električnim alatima.** Utikač na kojem nisu vršene preinake i odgovarajuća utičnica smanjuju opasnost od strujnog udara.
- b) **Izbjegavajte dodir tijela s uzemljenim površinama kao što su cijevi, radijatori, štednjaci i hladnjaci.** Opasnost od električnog udara je veća ako je vaše tijelo uzemljeno.
- c) **Ne koristite stroj po kiši ili vlažnim uvjetima. To može povećati rizik od električnog udara.** Nakon što se smočite na kiši tijekom rada, stroj i bateriju treba osušiti prije pohranjivanja ili punjenja. Izvadite bateriju i ponovno je umetnite ako se stroj ne uspije uključiti. Očistite priključak baterije od prljavštine i krhotina, a čistite ga mekom i suhom četkom ili krpom.

- d) **Ne zloupotrebļjavajte priključni kabel. Nikada nemojte upotrebljavati priključni kabel za nošenje, vješanje električnog alata ili za izvlačenje utikača iz mrežne utičnice. Priključni kabel držite dalje od izvora topline, ulja, oštih rubova ili pomičnih dijelova uređaja.** Oštećen ili zapleten priključni kabel povećava opasnost od strujnog udara.
- e) **Ako s električnim alatom radite na otvorenom, upotrebljavajte isključivo produžni kabel prikladan za upotrebu na otvorenom.** Upotreba produžnog kabela prikladnog za rad na otvorenom smanjuje opasnost od strujnog udara.
- f) **Ako ne možete izbjeći upotrebu električnog alata u vlažnoj okolini, upotrijebite diferencijalnu strujnu zaštitnu sklopku.** Primjenom diferencijalne strujne zaštitne sklopke izbjegava se opasnost od strujnog udara.

## 3) Sigurnost ljudi

- a) **Budite pažljivi, pazite što činite i postupajte oprezno dok radite s električnim alatom. Nemojte upotrebljavati alat ako ste umorni ili pod utjecajem droga, alkohola ili lijekova.** Trenutak nepažnje kod upotrebe električnog alata može uzrokovati ozbiljne ozljede.
- b) **Nosite osobnu zaštitnu opremu. Uvijek nosite zaštitne naočale. Nošenje osobne zaštitne opreme, kao što je maska za prašinu, zaštitna obruča s protukliznim potplatom, zaštitna kaciga ili štitnik za sluh, ovisno od vrste i primjene električnog alata, smanjuje opasnost od ozljeda.**
- c) **Spriječite svako nehotično uključivanje uređaja. Prije nego što ćete utaknuti utikač u utičnicu i/ili staviti komplet baterija, provjerite je li električni alat isključen.** Ako kod nošenja električnog alata imate prst na prekidaču ili se uključen uređaj priključi na električno napajanje, to može dovesti do nezgoda.
- d) **Prije uključivanja električnog alata uklonite alate za podešavanje ili ključ.** Alat ili ključ koji se nalazi u rotirajućem dijelu uređaja može dovesti do nezgoda.
- e) **Izbjegavajte neobičajene položaje tijela. Zauzmite siguran i stabilan položaj tijela i u svakom trenutku održavajte ravnotežu.** Na taj način možete električni alat bolje kontrolirati u neočekivanim situacijama.
- f) **Nosite prikladnu odjeću. Ne nosite široku odjeću ni nakit.** Kosu i odjeću držite dalje od pomičnih dijelova. Široku odjeću, dugu kosu ili nakit mogu zahvatiti pomični dijelovi.
- g) **Ako uređaji imaju priključak za usisavače za prašinu, provjerite jesu li isti priključeni i mogu li se ispravno upotrebljavati.** Upotreba sustava za usisavanje može smanjiti mogućnost nastanka opasnih situacija koje uzrokuje prašina.

- h) Nemojte postati previše bezbrižni i zanemariti sigurnosne upute zato što alat često upotrebljavate i smatrate da ste ga dobro upoznali.** Samo jedan trenutak nepažnje dovoljan je za nastanak ozbiljnih ozljeda.
- 4) Upotreba i održavanje električnog alata**
- a) Ne preopterećujte uređaj. Za svaki posao upotrebljavajte prikladan i za to predviđen električni alat. S odgovarajućim električnim alatom posao ćete obaviti lakše, brže i sigurnije.**
- b) Nemojte upotrebljavati električni alat čiji je prekidač neispravan.** Električni alat koji se više ne može uključivati i isključivati opasan je i mora se popraviti.
- c) Alat prije podešavanja, izmjene pribora i odlaganja isključite iz izvora napajanja i/ili izvadite komplet baterije, ako se vadi iz uređaja.** Ovim mjerama opreza izbjeci će se nehotično uključivanje električnog alata.
- d) Električni alat koji ne upotrebljavate spremite izvan dosega djece. Rukovanje alatom zabranjeno je osobama koje nisu s njim upoznate ili koje nisu pročitale ove upute.** Električni alati su opasni ako s njima rade neiskusne osobe.
- e) Redovno održavajte električne alate i pribor. Kontrolirajte rade li besprijekorno pomični dijelovi uređaja, jesu li zaglavljivi, polomljeni ili oštećeni tako da to ugrožava daljnju upotrebu i rad električnog alata.** Prije upotrebe oštećene dijelove treba popraviti. Loše održavani električni alati uzrok su mnogih nezgoda.
- f) Rezne alate održavajte ostrim i čistim.** Pažljivo održavani rezni alati s ostrim oštricama manje će se zaglavljivati i lakše se s njima radi.
- g) Električni alat, pribor, radne alate, itd. upotrebljavajte prema ovim uputama i na način kako je to propisano za određenu vrstu uređaja.** Pritom uzмите u obzir radne uvjete i radove koje treba izvršiti. Upotreba električnog alata za poslove izvan njegove predviđene upotrebe može dovesti do opasnih situacija.
- h) Ručke i zahvatne površine održavajte suhima, čistima i pazite da na njih ne dospiju ulje ili mast.** Skliske ručke i zahvatne površine onemogućuju sigurno rukovanje i alat se teško kontrolira u neočekivanim situacijama.
- 5) Upotreba i održavanje akumulatorskih alata**
- a) Akumulatorsku bateriju puniti isključivo punjačima koje preporučuje proizvođač.** Ako punjač predviđen za jednu određenu vrstu kompleta baterija rabite s drugim kompletom baterija, postoji opasnost od požara.
- b) Električne alate upotrebljavajte isključivo s posebnim, namjenskim kompletima baterija.** Upotreba drugih kompleta baterija može dovesti do ozljeda i opasnosti od požara.
- c) Komplete baterija dok ih ne upotrebljavate držite dalje od uredskih spajalica, kovanica, ključeva, čavala, vijaka ili drugih sitnih metalnih predmeta koji bi mogli uzrokovati premošćenje kontakata.** Kratki spoj između kontakata baterije može uzrokovati opekline ili požar.
- d) Kod pogrešne primjene iz baterije može isteći tekućina. Izbjegavajte kontakt s ovom tekućinom. Kod slučajnog kontakta zahvaćeno mjesto treba isprati vodom. Ako vam tekućina uđe u oči, zatražite pomoć liječnika.** Tekućina istekla iz baterije može uzrokovati nadraženost kože i opekline.
- e) Ne upotrebljavajte oštećene ili izmijenjene complete baterija ni alate.** Oštećene ili izmijenjene baterije podložne su nepredvidivom ponašanju i mogu uzrokovati požar, eksploziju ili ozljede.
- f) Držite alat i komplet baterija dalje od vatre i visokih temperatura.** Izlaganje vatri ili temperaturi višoj od 130°C može uzrokovati eksploziju.
- g) Poštujte sve upute za punjenje i komplet baterija i alat ne puniti pri temperaturama izvan vrijednosti koje su propisane i navedene u uputama.** Nepravilno punjenje ili punjenje pri temperaturama višim od propisanih može oštetiti bateriju i povećati opasnost od požara.
- 6) Servisiranje**
- a) Popravak električnog alata prepustite kvalificiranom osoblju ovlaštenog servisa i isključivo s originalnim rezervnim dijelovima.** Tako će biti zajamčen siguran rad s uređajem.
- b) Nikada ne servisirajte oštećene complete baterija.** Servisiranje kompleta baterija smiju obavljati isključivo proizvođači i ovlašteni serviseri.

## SIGURNOSNA UPOZORENJA ZA ŠKARE ZA ŽIVICU:

- a) Škare za živicu nemojte upotrebljavati prilikom loših vremenskih uvjeta, naročito kad postoji opasnost od grmljavine. Ovo smanjuje opasnost od udara groma.**
- b) Sve naponske kabele i kabele držite dalje od područja rezanja.** Naponski kabeli ili kabele mogu biti skriveni u živici ili grmlju te ih oštrica može slučajno zarezati.
- c) Nosite zaštitu za uši.** Odgovarajuća zaštitna oprema smanjit će rizik od gubitka sluha.
- d) Škare za živicu držite samo za izolirane površine za držanje, jer bi oštrica mogla dodirnuti skrivene žice.** Oštrice koje dođu u kontakt sa žicom pod naponom također daju napon

izloženim metalnim dijelovima škara za živicu i rukovatelj može doživjeti strujni udar.

- e) **Sve dijelove tijela držite dalje od oštrice. Nemojte uklanjati rezni materijal ili držati materijal koji treba rezati dok se oštrice pomiču.** *Oštrice se nastavljaju micati nakon što se prekidač isključi. Trenutak nepažnje tijekom rukovanja škarama za živicu može dovesti do ozbiljnih ozljeda.*
- f) **Tijekom čišćenja zaglavljenih materijala ili servisiranja škara za živicu, provjerite jesu li svi prekidači isključeni i uvjerite se da je baterija uklonjena ili odspojena.** *Neočekivano pokretanje škara za živicu tijekom čišćenja zaglavljenog materijala ili servisiranja može dovesti do ozbiljnih ozljeda.*
- g) **Škare za živicu nosite držeći ih za ručku, sa zaustavljenom oštricom, pazeći da ne aktivirate prekidač paljenja.** *Ispravno nošenje škara za živicu smanjit će rizik od nenamjernog pokretanja i ozljeda uzrokovanih oštricama.*
- h) **Kad prevozite ili pohranjujete škare za živicu, uvijek stavite poklopac oštrice.** *Ispravno rukovanje škarama za živicu smanjit će rizik od ozljeda koje mogu uzrokovati oštrice.*
- i) **Provjerite ima li u živici ili grmlju stranih predmeta, npr. žičanih ograda i skrivenih žica.**
- j) **Pravilno držite škare za živicu, npr. s obje ruke ako postoje dvije ručke.**
- k) **Škare za živicu namijenjene su uporabi od strane rukovatelja na razini tla, a ne na ljestvama ili drugom nestabilnom postolju.**
- l) **Prije rukovanja škarama za živicu, korisnik mora provjeriti jesu li uređaj(i) za zaključavanje svih pomičnih elemenata (npr. produljena osovina i okretni element), ako postoje, u zaključanom položaju.**
- m) **Redovito održavajte podesive mehanizme za zaustavljanje.**
- n) **Ne podižite ili nosite škare za živicu koristeći samo jednu ručku.**

spajanje kontakata baterije može uzrokovati opekline i požar.

- c) **Bateriju nemojte izlagati vrućini i vatri. Izbjegavajte pohranu na izravnom sunčevom svjetlu.**
- d) **Bateriju ne izlažite udarcima.**
- e) **Ako dođe do curenja baterije, pazite da tekućina ne dospije na kožu ili u oči. Ako dođe do kontakta, isperite to mjesto velikom količinom vode i potražite liječničku pomoć.**
- f) **Bateriju održavajte čistom i suhom.**
- g) **Ako se zaprljaju, kontakte baterije izbrisite čistom i suhom krpom.**
- h) **Bateriju treba napuniti prije upotrebe. Uvijek primijenite upute iz ovog priručnika i odgovarajući postupak punjenja.**
- i) **Bateriju ne ostavljajte na punjaču dok nije u upotrebi.**
- j) **Nakon duljih razdoblja neupotrebe možda će biti potrebno nekoliko puta napuniti i isprazniti bateriju kako bi se postigla optimalna učinkovitost.**
- k) **Punite samo punjačem koji preporučuje Kress. Nemojte koristiti nikakav punjač osim onog koji je izričito predviđen za uporabu s opremom.**
- l) **Koristite samo baterije koje su namijenjene za upotrebu uz određeni uređaj.**
- m) **Baterije držite izvan dohvata djece.**
- n) **Izvorni priručnik isporučen uz uređaj sačuvajte za slučaj potrebe.**
- o) **Izvadite bateriju iz uređaja dok nije u upotrebi.**
- p) **Odlažite sukladno propisima.**
- q) **Nemojte miješati ćelije različitih proizvođača, kapaciteta, veličine ili tipa unutar istog uređaja.**
- r) **Držite bateriju podalje od mikrovalnih pećnica i visokog tlaka.**
- s) **Upozorenje! Ne koristite nepunjive baterije.**

## SIGURNOSNA UPOZORENJA ZA BATERIJE




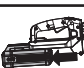
- a) **Bateriju nemojte rastavljati, otvarati ni trgati njezine ćelije.**
- b) **Bateriju nemojte kratko spojati. Nemojte nemarno ostavljati baterije u kutijama i ladicama gdje može doći do njihovog kratkog spoja prilikom kontakta s vodljivim materijalima.** Kad baterija nije u upotrebi držite je podalje od drugih metalnih predmeta kao što su spajalice papira, novčići, ključevi, čavli, vijci i drugi maleni metalni predmeti koji mogu uzrokovati međusobno spajanje kontakata baterije. Kratko međusobno

## ZAHTJEVI KORISNIČKOG PRIRUČNIKA ZA AKUMULATORSKI PROIZVOD

- a) Rad ovog uređaja podlozan je sljedeća dva uvjeta:
  - (1) Ovaj uređaj ne smije uzrokovati štetne smetnje, i
  - (2) ovaj uređaj mora prihvatiti svaku primljenu smetnju, uključujući smetnju koja može uzrokovati neželjeni rad.
- b) Oprez: Promjene ili preinake na ovoj jedinici koje nije izričito odobrila strana odgovorna

za sukladnost mogle bi poništiti korisničko ovlaštenje za rukovanje opremom.


- c) **NAPOMENA:** Ova oprema generira, upotrebljava i može zračiti radiofrekventnu energiju i, ako se ne instalira i koristi u skladu s uputama, može uzrokovati štetne smetnje radijskim komunikacijama. Međutim, nema jamstva da se smetnje neće pojaviti u određenoj instalaciji. Ako ova oprema uzrokuje štetne smetnje radijskom ili televizijskom prijemu, što se može odrediti uključivanjem i isključivanjem opreme, korisnika se potiče da pokuša ispraviti smetnje s pomoću jedne ili više sljedećih mjera:
- Preusmjerite ili premjestite prijemnu antenu.
  - Povećajte udaljenost između opreme i prijemnika.
  - Spojite opremu u utičnicu na strujnom krugu različitom od onog na koji je spojen prijemnik.
  - Obratite se trgovcu ili iskusnom radio/TV tehničaru za pomoć.

|  |   |
|--|---|
|    | Baterije mogu ući u vodeni sustav ako se nepravilno odlože u otpad, što može biti opasno za ekosustav. Nemojte odlagati prazne baterije u nerazvrstani kućanski otpad.  |
| <br>Li-Ion<br> | Litij-ionska baterija. Ovaj proizvod je označen simbolom koji označava „odvojeno prikupljanje“ za sve akumulatore i baterije. Zatim će se reciklirati ili rastaviti da se smanji utjecaj na okoliš.<br>Baterije mogu biti opasne za okoliš i za ljudsko zdravlje jer sadrže opasne tvari. |
|   | Rabljeni električni proizvodi ne smiju se odlagati s kućanskim otpadom. Predajte ih na odgovarajućim reciklažnim mjestima. Savjete za reciklažu zatražite od lokalnih nadležnih tijela ili dobavljača.  |
|   | Izvadite bateriju iz utora prije izvođenja bilo kakvog podešavanja, servisiranja ili održavanja.  |

## SIMBOLI

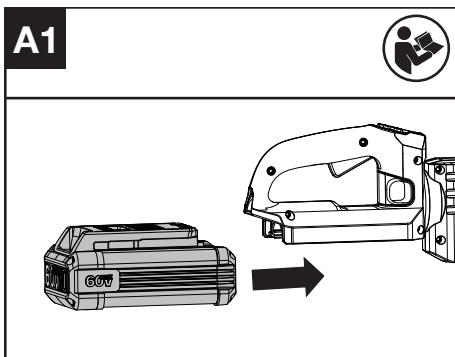
|  |   |
|--|---|
|    | Kako bi se smanjio rizik od povreda, korisnik mora pročitati upute za uporabu |
|    | Upozorenje  |
|    | Nosite zaštitu za oči   |
|   | Nosite zaštitu za uši   |
|  | Nosite masku za zaštitu od prašine  |
|  | Držite ruke dalje od oštice   |
|  | Nosite zaštitne rukavice  |
|  | Nemojte spaljivati  |

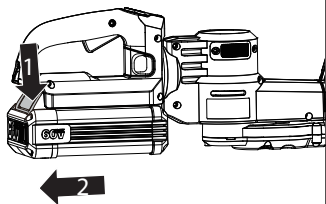
## SKUPINA I OPERACIJA

 **NAPOMENA:** Prije uporabe alata, pažljivo pročitajte upute.

 **PRIJE RADA:**

**Ugradnja i uklanjanje baterijskog modula (Vidi sl. A1,A2)**

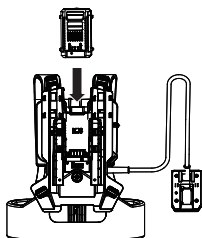
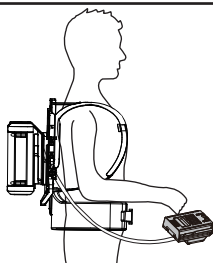
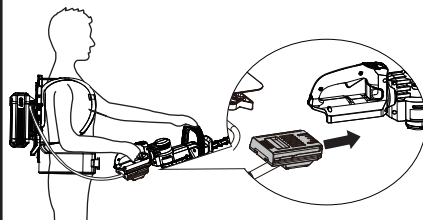


**A2**

1. Stavite bateriju u odjeljak dok ne čujete klik.
2. Pritisnite na mjesto za otpuštanje baterijskog modula kako biste ga oslobodili iz alata.

### Spajanje s pojasom za ruksak (vidi sl. B1,B2,B3)

Ugradite baterijski modul na pojas za ruksak, zatim povežite pojas sa strojem. Stavite pojas za ruksak. Više pojedinosti možete pronaći u priručniku pojasa za ruksak.

**B1****B2****B3**

### TESTIRANJE TRIMERA I BATERIJE (vidi sl. C)

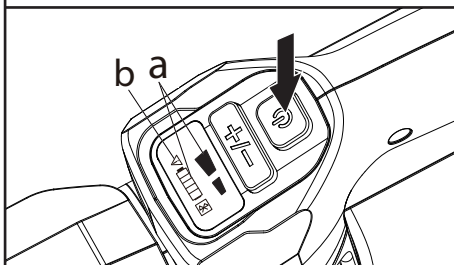
#### Provjera kontrola Poluga prednjeg prekidača i poluga stražnjeg prekidača

1. Remove the battery.
2. Pritisnite i otpustite polugu prednjeg prekidača i polugu stražnjeg prekidača. Ako se poluga prednjeg prekidača ili poluga stražnjeg prekidača zaglavi i ne može se vratiti u prvobitni položaj. Prekinite upotrebljavati škare i obratite se serviseru.

#### Provjera zaslona

1. Umetnite bateriju.
2. Držite i pritisnite prekidač On/Off (Uključeno/Isključeno).  
Proizvod je uključen kad LED svijetli.  
Proizvod je isključen kad LED ne svijetli.
3. Prvo pritisnite prekidač prisutnosti rukovatelja, a zatim aktivator gasa, kako biste pokrenuli stroj. Glava trimera se okreće.
4. Ako indikator upozorenja (b) svijetli ili treperi, rješenje potražite u odjeljku Otklanjanje poteškoća.
5. Otpustite aktivator gasa. Glava trimera prestaje se okretati nakon kratkog zastoja. Ako se glava trimera nastavlja okretati, izvadite bateriju i obratite se serviseru.

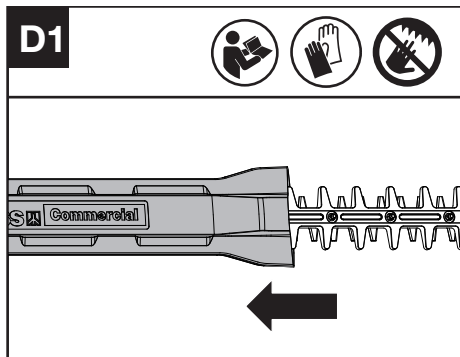
HR

**C**

## RAD:

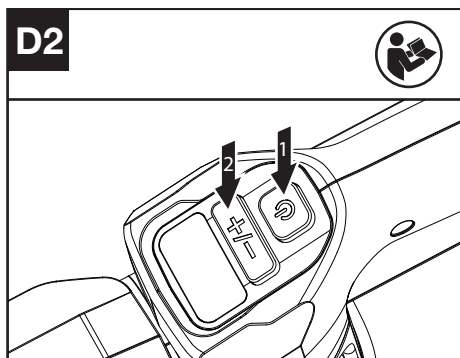
### Pokretanje i zaustavljanje

Prije uporabe prvo uklonite omotač oštrice. (Vidi sl. D1)

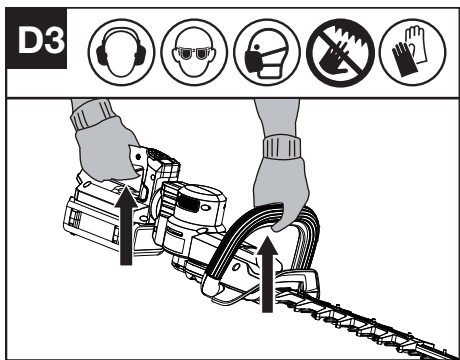


### Odabir brzine

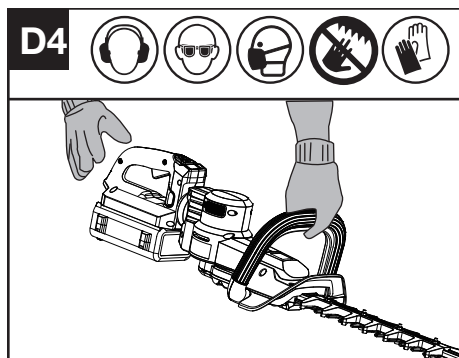
1. Pritisnite prekidač On/Off (Uključeno/Isključeno).
2. Za odabir potrebne brzine pritisnite gumb za kontrolu brzine. (Vidi sl. D2)



Za pokretanje pritisnite polugu prednjeg prekidača i polugu stražnjeg prekidača. (Vidi sl. D3)



Za zaustavljanje otpustite polugu prednjeg prekidača i polugu stražnjeg prekidača. (Vidi sl. D4)



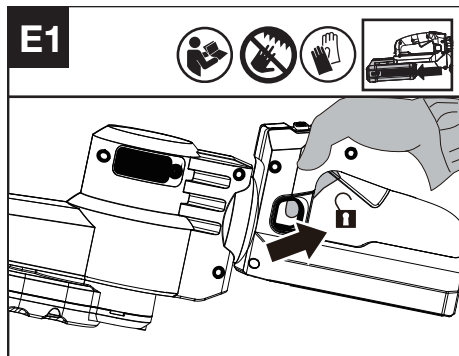
Kad se stroj ne upotrebljava, isključite škare za živicu i izvadite baterijski modul ili ga odspojite sa pojasa za ruksak.

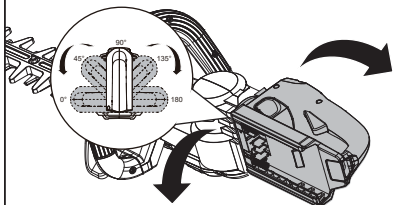
### Rotirajuća stražnja ručka (vidi sl. E1, E2)

**NAPOMENA:** Otključajte prekidač za zaključavanje prije okretanja.

Nakon okretanja ručke u željeni položaj, malo je podesite dok ne čujete „klik“.

**! UPOZORENJE:** Uvijek provjerite je li ručka zaključana u željenom položaju prije rukovanja. Uvijek provjerite je li prekidač za zaključavanje zaključan prije pokretanja škara za živicu. Nemojte okretati ručku dok škare rade.



**E2**

### Kako upotrebljavati škare za živicu

Prije rezanja određenog područja, prvo ga pregledajte i uklonite sve strane predmete koji bi mogli biti odbačeni ili zapetljani u oštrice. Uvijek držite škare s obje ruke i oštricom udaljenom od vas prije uključivanja.

Kada obrezujete nove izdanke, koristite široki luk kako bi stabljike direktno zahvatili oštricom. Neka rezne oštrice postignu maksimalnu brzinu prije rezanja. Tijekom rada držite rezne oštrice dalje od ljudi i predmeta kao što su zidovi, veliko kamenje, stabla, vozila, itd.

Ako se oštrica zaglavi, odmah ugasisite škare.

Otpustite dvije poluge prekidača prije nego krenete sa otklanjanjem zaglavljenih stranih tijela iz reznih oštrica.

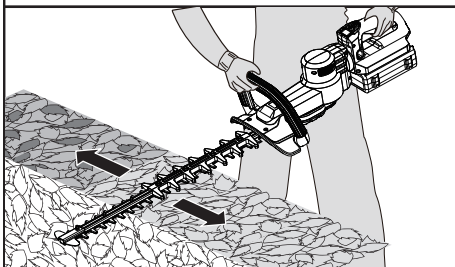
Nosite rukavice prilikom obrezivanja oštrih ili trnovitih obrasla.

Ne pokušavajte rezati stabljike koje su predebele za reznu oštricu.

### Rezanje po vrhu (vidi sl. F)

Upotrijebite široki pokret zamaha. Najbolje rezultate kod rezanja dobit ćete ako reznu oštricu nagnete blago prema dolje.

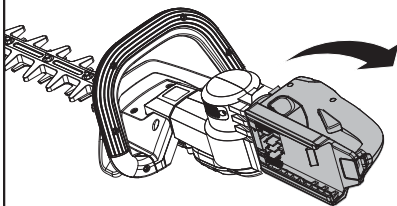
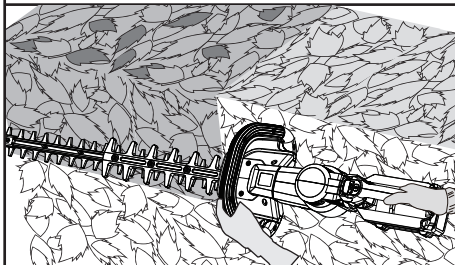
**!** **UPOZORENJE:** Ako neki dijelovi nedostaju, ako su oštećeni ili pokvareni, nemojte koristiti škare za živicu dok svi oštećeni dijelovi nisu zamijenjeni ili popravljeni. U suprotnom može doći do ozbiljnih povreda. **NEMOJTE UPOTREBLJAVATI BEZ PREDNJE RUČKE I SIGURNOSNOG ŠTITNIKA.**

**F**

### Obrezivanje sa strane (vidi sl. G1, G2)

Kada obrezujete živicu sa strane, krenite odozdo prema gore, sužavajući živicu prema unutra pri vrhu. Ovaj će oblik izložiti veću površinu živice, što će rezultirati ujednačenijim rastom.

**!** **UPOZORENJE:** Prekinite uporabu škara prije okretanja ručke.

**G1****G2**

HR

# TRANSPORT

## Prenošenje trimera

1. Isključite trimer i izvadite bateriju.
2. Kad trimer prenosite ručno, sredinu osovine s reznom glavom držite sa stražnje strane i pripazite da stroj bude paralelan sa tlom.
3. Kad prevozite trimer u vozilu, osigurajte ga i postavite tako da spriječite njegovo pomicanje ili oštećenje.

## Prenošenje baterije

1. Osigurajte da je baterija u sigurnom stanju.
2. Prilikom transporta baterije koristite neprovodnu ambalažu.
3. Sadržane litij-ionske baterije podliježu zahtjevima zakona o opasnoj robi. Baterije transportirajte samo ako je njihovo kućište neoštećeno. Zapakirajte baterije na način da se ne mogu pomicati u pakiranju.

# ODRŽAVANJE

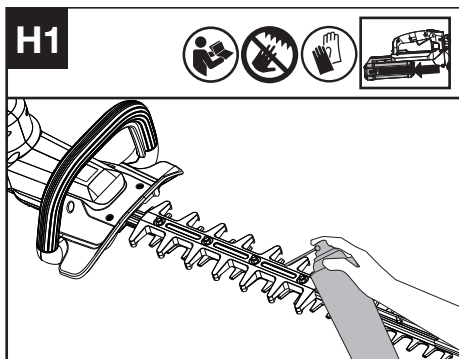
**!** **UPOZORENJE!** Uvijek uklonite bateriju prije nego što započnete održavanje na trimeru.

Izvadite bateriju iz škara za živicu prije bilo kakvog podešavanja, servisiranja ili održavanja.

Alat ne sadrži nikakve dijelove koje je moguće samostalno popraviti. Nemojte koristiti vodu ili kemikalije za čišćenje vašeg alata. Obrišite suhom krpom. Uvijek držite alat na suhom mjestu. Ventilacijske otvore motora održavajte čistima. Držite sve radne kontrole čiste od prašine.

## Podmazivanje rezne oštrice (vidi sl. H1)

**NAPOMENA:** Važno je koristiti samo standardno preporučeno ulje za podmazivanje (npr. WD-40) kako bi se spriječilo oštećenje oštrice.

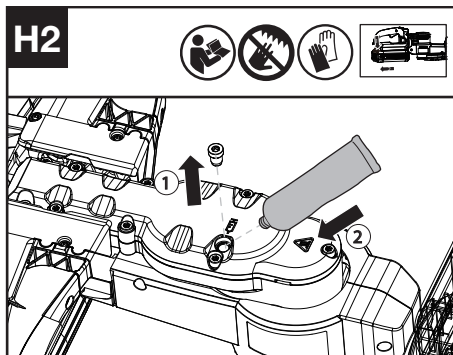


## Podmazivanje reduktora (vidi sl. H2)

Remove the screw plug from the gear housing. Podmazivanje kućišta zupčanika kroz otvor za ulje nakon svakih 50 sati rada. Odvrnite vijke sa kućišta

zupčanika, zatim skinite poklopac. Podmazivanje nakon svakih 300 sati rada.

**NAPOMENA:** Za najbolji rad i dulji vijek trajanja, podmažite kućište zupčanika škara za živicu mašću (SHELL Gadus S2 V220 1).

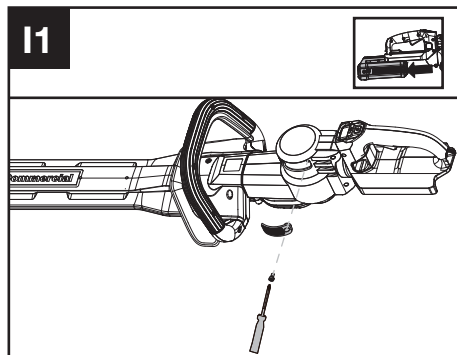


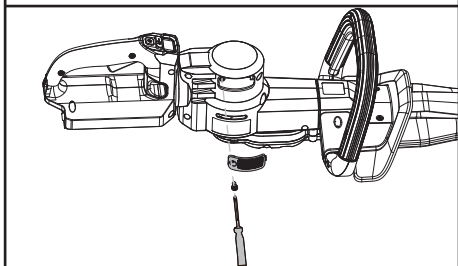
## Oštrenje

**!** **UPOZORENJE:** Nemojte upotrebljavati stroj ako su rezne oštrice tupe ili oštećene, zato što mogu uzrokovati preopterećenje i slabe performanse. Kad učinkovitost rezanja počne slabiti, neka vam oštricu ponovo naoštiri stručnjak. Uvijek nosite zaštitne rukavice kada rukujete oštricom škara za živicu i oštrite samo rezni rub. Oštrite samo rezni rub. Nemojte brusiti tupe stršće djelove rezne oštrice ili njenog štitnika. Upotrijebite brusni kamen za uklanjanje neravnina s oštrice. Nakon oštrenja, na siguran način očistite prašinu sa oštrice.

## Čišćenje filtra za zrak (vidi sl. I1, I2)

1. Očistite područje oko filtra za zrak. Koristite mokru krpu ili meku četku.
2. Odvrnite i uklonite filtar za zrak.
3. Isperite filtar za zrak običnom vodom kako biste uklonili nečistoću.
4. Ostavite filtar za zrak na otvorenom da se osuši. Zatim ga vratite u kućište zatezanjem vijka





## ČIŠĆENJE

1. Isključite trimer i izvadite bateriju.
2. Ne koristite agresivne deterdžente ili otapala. Očistite stroj nakon korištenja vlažnom krpicom namočenom u blagi deterdžent.
3. Održavajte priključak baterije čistim od prljavštine i krhotina te ga čistite mekanom i suhom četkom ili krpom.
4. Nemojte štrcati vodu po motoru i električnim komponentama.
5. Nemojte koristiti visokotlačni perač za čišćenje vašeg stroja.

## SKLADIŠTENJE

1. Uklonite bateriju iz trimera prije skladištenja.
2. Trimer i bateriju skladištite na suhom mjestu koje je sigurno od dohvata djece i ostalih neovlaštenih osoba. Uklonite nastavak za rezanje ako se neće koristiti dulje vrijeme.
3. Bateriju skladištite samo na temperaturi između 5 °C (41 °F) i 25 °C (77 °F). Na primjer, bateriju ne ostavljajte u automobilu ljeti.
4. Nakon što se smočite na kiši tijekom rada, stroj i bateriju treba osušiti prije pohranjivanja ili punjenja. Izvadite bateriju i ponovno je umetnite ako se stroj ne uspije uključiti.

## ZA BATERIJSKE ALATE

Preporučeni raspon temperature u okolini za pražnjenje je -4°F~113°F (-20°C~45°C).

Preporučeni raspon temperature u okolini za sustav punjenja tijekom punjenja je 23°F~113°F (-5°C~45°C)

## OTKLANJANJE POTEŠKOĆA

Sljedeća tablica navodi primjere poteškoća koje se mogu dogoditi i radnji koje možete poduzeti ako vaš stroj ne radi pravilno.



**UPOZORENJE:** Ugasite stroj i uklonite bateriju prije bilo kakvog otklanjanja poteškoća.

### TRIMER


| Poteškoće                         | Mogući uzroci                                 | Korektivna radnja   |
|-----------------------------------|---|---|
| LED indikator baterije treperi    | Slab napon baterije.                          | Napunite bateriju.  |
| LED indikator crvene boje treperi | Preopterećenje                                | Rezni nastavak je zaglavljen Isključite proizvod Izvadite bateriju. Očistite rezni nastavak od neželjenih materijala. |
|                                   |   | Problem sa temperaturom.  |
|                                   | Ostale poteškoće                              | Obratite se serviseru   |
| Proizvod se ne može pokrenuti     | Prljavština na konektorima baterije.          | Očistite konektore baterije komprimiranim zrakom ili mekanom četkom.  |
|                                   | Ostale poteškoće                              | Obratite se serviseru.  |
| Trimer radi s prekidima           | Baterija nije umetnuta do kraja u stroj.      | Umetnite bateriju do kraja.   |
|                                   | Mogući električni problem.                    | Obratite se serviseru.  |
| Pretjerane vibracije/buka.        | Problem s reznim nastavkom. Stroj neispravan. | Zamijenite rezni nastavak. Obratite se serviseru.   |

## BATERIJA

| Poteškoće                        | Mogući uzroci           | Korektivna radnja   |
|----------------------------------|-------------------------|---|
| LED lampica za pogreške svijetli | Baterija je ispražnjena | Napunite bateriju. Ako nije moguće napuniti bateriju, obratite se serviseru.  |
|                                  | Problem s temperaturom. | Bateriju upotrebljavajte u okruženjima s temperaturom između -5 °C do 45 °C (23 °F do 113 °F) za punjenje; -20 °C do 45 °C (-4 °F do 113 °F) za pražnjenje. |
|                                  | Ostalo                  | Kontaktirajte sa serviserom.  |

## TEHNIČKI PODACI

Oznaka tipa: **KC201 KC201.X (201- oznaka strojeva, predstavnik akumulatorskih škara za živicu)**

|                            | KC201 KC201.X**  |
|----------------------------|--|
| Napon                      | 60 V  MAX *** |
| Brzina rezanja             | 4400/5000 SPM  |
| Dužina oštrice             | 63 cm (25")  |
| Razmak noževa              | 30 mm (1.18 inch)  |
| Stupanj zaštite            | IPX4   |
| Težina stroja (samo stroj) | 3.8 kg (8.3 lbs)   |

\*\* X=1-999,A-Z,M1-M9 upotrebljavaju se samo za različite korisnike, između ovih modela nema bitnih promjena koje se odnose na sigurnost.

\*\*\* Napon izmjeren bez radnog opterećenja. Inicijalni napon baterije dostiže maksimum od 60 volti. Nominalni napon je 54 volti.

## PREPORUČENE BATERIJE I PUNJAČI

| Baterija                     | Kapacitet | Punjač | Struja u amperima |
|------------------------------|-----------|--------|-------------------|
| KAC800                       | 4 Ah      | KAC840 | 30 A              |
| KAC810 (S pojasom za ruksak) | 11 Ah     |        |                   |
| KA3000                       | 2.0 Ah    |        |                   |

Preporučujemo da pribor kupite od dobavljača koji vam je prodao alat. Više pojedinosti potražite na ambalaži pribora. Dobavljač vam može pružiti pomoć i savjet.

## TEHNIČKI PODACI ZA BATERIJSKI MODUL (NEOBAVEZNO)

|  |                 |
|--|-----------------|
| Frekvencijski pojasevi za Bluetooth      | 2400-2483.5 MHz |
| Maksimalna prijenosna snaga za Bluetooth | 8 dBm           |

## PODACI O BUCI

|                          |                                |
|--------------------------|--------------------------------|
| Ponderirani zvučni tlak  | $L_{pA} = 87.48 \text{ dB(A)}$ |
| $K_{pA}$                 | 3.0 dB(A)                      |
| Ponderirana zvučna snaga | $L_{wA} = 95.48 \text{ dB(A)}$ |
| $K_{wA}$                 | 0.97 dB(A)                     |

Nosite zaštitu za uši.



## INFORMACIJE O VIBRACIJAMA

Ukupne vrijednosti vibracija (zbroj troosnih vektora) određene prema EN 62841:

|                               |   |
|-------------------------------|---|
| Tipična ponderirana vibracija | Stražnji: $a_h = 2.42 \text{ m/s}^2$<br>Prednji: $a_h = 2.50 \text{ m/s}^2$ |
| Neodređenost                  | Stražnji: $K = 1.5 \text{ m/s}^2$<br>Prednji: $K = 1.5 \text{ m/s}^2$       |

Deklarirana ukupna vrijednost vibracija i deklarirana vrijednost emisije buke izmjereni su u skladu sa standardnom metodom ispitivanja i mogu se koristiti za usporedbu jednog alata s drugim. Deklarirana ukupna vrijednost vibracija i deklarirana vrijednost emisije buke također se mogu koristiti u

preliminarnoj procjeni izloženosti.



**UPOZORENJE:** Emisije vibracija i buke tijekom stvarnog korištenja alata s pogonom mogu se razlikovati od deklarirane vrijednosti, ovisno o načinima na koji se alat koristi, posebno kakvu vrstu radnog komada se obrađuje ovisno o sljedećim primjerima i drugim varijacijama i načinu korištenja alata:

Kako se alat koristi i materijali koji se režu ili buše.

Alat je u dobrom stanju i dobro održavan.

Upotreba pravilnog dodatka za alat i osiguravanje da je oštar i u dobrom stanju.

Zategnutost stiska na ručkama i ako se koriste bilo kakve anti-vibracije i dodatak protiv buke.

Alat se koristi kako je predviđeno u skladu s namjenom i ovim uputama.

**Ako se ne upotrebljava na odgovarajući način, ovaj alat može uzrokovati vibracijski sindrom šake i ruke.**



**UPOZORENJE:** Da budemo točni, procjena razine izloženosti u stvarnim uvjetima korištenja također bi trebala uzeti u obzir sve dijelove operativnog ciklusa, poput vremena kada se alat isključuje i kada radi u praznom hodu, ali zapravo ne radi posao. To može značajno smanjiti razinu izloženosti tijekom ukupnog radnog razdoblja. Pomaže u minimiziranju rizika od vibracije i izlaganja buci.

Uvijek koristite oštra dljetla, bušilice i oštrice.

Održavajte ovaj alat u skladu s ovim uputama i držite ga dobro podmazanim (gdje je to prikladno).

Ako se alat treba redovito koristiti, tada uložite u anti-vibracije i dodatke protiv buke.

Planirajte svoj raspored rada tako da rasporedite poslove s visokim vibracijama tijekom više dana.

## ZAŠTITA OKOLIŠA



Rabljeni električni proizvodi ne smiju se odlagati s kućanskim otpadom. Predajte ih na odgovarajućim reciklažnim mjestima. Savjete za reciklažu zatražite od lokalnih nadležnih tijela ili dobavljača.

## IZJAVA O SUKLADNOSTI

MI,

Positec Germany GmbH

Postfach 680194, 50704 Cologne, Germany

U ime Positeca izjavljuju da je proizvod

Opis **Akumulatorske škare za živicu**

Oznaka tipa **KC201 KC201.X (201-oznaka**

**strojeva, predstavnik škara za živicu**

Funkcija **podrezivanje živice i grmlja**

Usklađeno sa sljedećim smjernicama,

**2006/42/EC, 2014/30/EU, 2011/65/**

**EU&(EU)2015/863, 2000/14/EC izmijenjena do 2005/88/EC**

2000/14/EC izmijenjena do 2005/88/EC:

- postupak procjene sukladnosti prema Annex V

- izmjerena razina zvučne snage 95.48 dB (A)

- proglašena zajamčena razina zvučne snage

96.45 dB (A)

Standardi su u skladu s:

**EN 62841-1, EN 62841-4-2, EN ISO 3744,**

**EN IEC 55014-1, EN IEC 55014-2, EN IEC 63000**

Osoba ovlaštena za sastavljanje tehničke dokumentacije:

**Ime i prezime: Marcel Filz**

**Adresa: Positec Germany GmbH**

**Postfach 680194, 50704 Cologne, Germany**



2024/06/19

Allen Ding

Zamjenik šefa inženjeringa, Testiranje i certifikacija

Positec Technology (China) Co., Ltd

18, Dongwang Road, Suzhou Industrial

Park, Jiangsu 215123, P. R. China

HR

# INDHOLDSFORTEGNELSE

|                             |     |
|-----------------------------|-----|
| Introduktion.....           | 190 |
| Lista de componentes.....   | 191 |
| Produktsikkerhed.....       | 192 |
| Montering og betjening..... | 195 |
| Transport.....              | 198 |
| Vedligeholdelse.....        | 198 |
| Rengøring.....              | 199 |
| Opbevaring.....             | 199 |
| Fejlfinding.....            | 200 |
| Tekniske data.....          | 200 |
| Miljøbeskyttelse.....       | 201 |
| Konformitetserklæring.....  | 202 |

DK

## INTRODUKTION

Kære kunde,

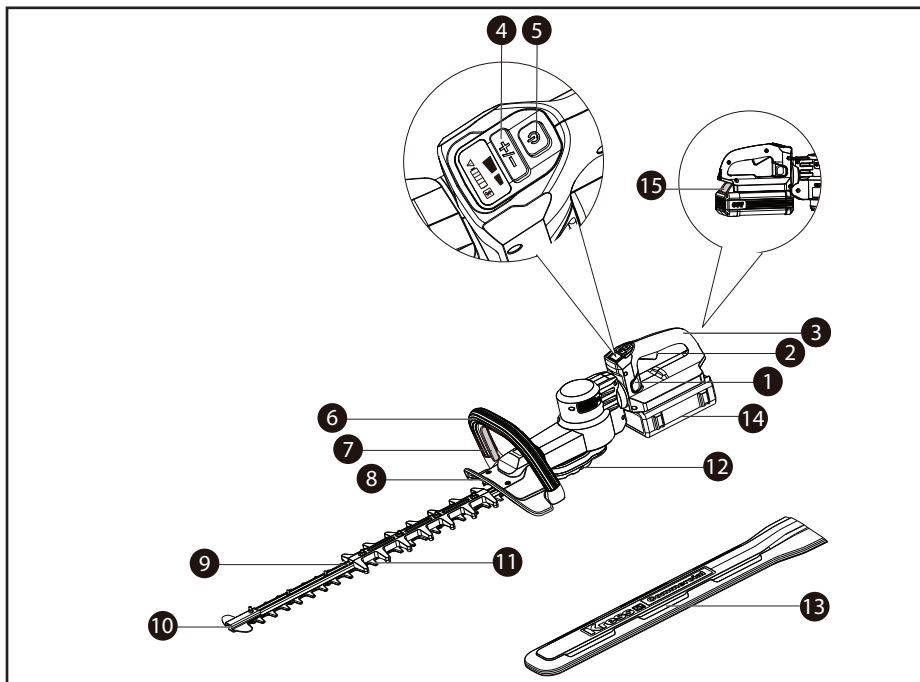
Tak, fordi du købte dette Kress Commercial-produkt. Vi har specialiseret os i at udvikle produkter af høj kvalitet, der dækker dine krav til din plæne og din have.

Kress-mærket står for service af førsteklasses kvalitet. Bed din lokale forhandler eller vores kundeserviceteam om hjælp, hvis du har spørgsmål om eller problemer med produktet i dets levetid.

Vi er overbeviste om, at du vil nyde at bruge dit Kress-produkt i de kommende år.

## FORESKREVET ANVENDELSE

Denne maskine er beregnet til at klippe og trimme hække og buske ved let og tung kommerciel brug.



## LISTA DE COMPONENTES

- |     |   |
|-----|---|
| 1.  | LÅSEKONTAKT TIL Roterende BAGHÅNDTAG  |
| 2.  | GASHÅNDTAG  |
| 3.  | ROTERENDE BAGGREB   |
| 4.  | HASTIGHEDSKONTROLNAP  |
| 5.  | TÆND/SLUK-KNAP  |
| 6.  | FORHÅNDTAG  |
| 7.  | KONTAKT TIL REGISTRERING AF OPERATØRTILSTEDEVÆRELSE (ALL-ROUND KONTAKTFUNKTION) |
| 8.  | SIKKERHEDSSKÆRM   |
| 9.  | BLAD  |
| 10. | KNIVBESKYTTER   |
| 11. | BAGERSTE KLINGESKÆRM  |
| 12. | METALGEARKASSE  |
| 13. | BLADHYLSTER   |
| 14. | BATTERIPAKKE *  |
| 15. | KNAP TIL FRIGØRELSE AF BATTERI  |

\* Illustreret eller beskrevet tilbehør er kun delvis indeholdt i leverancen.

# ORIGINAL BRUGSANVISNING SIKKERHEDSINSTRUKTIONER GENERELLE ADVARSLER I FORBINDELSE MED MASKINVÆRKTØJ



**ADVARSEL:** Læs alle sikkerhedsadvarsler, instruktioner, illustrationer og specifikationer, som følger med el-værktøjet. /  
*tilfælde af manglende overholdelse af anvisningerne nedenfor er der risiko for elektrisk stød, brand og/ eller alvorlige personskader.*

**Gem alle advarsler og instruktioner for fremtidig reference.**

Udtrykket "elværktøj" i nedenstående advarsler henviser til dit eldrevne (med ledning) eller batteridrevne (uden ledning) værktøj.

## 1) ARBEJDSOMRÅDE

- a) **Sørg for, at arbejdsområdet er rent og godt oplyst.** Rodede arbejdsområder kan forårsage personskade.
- b) **Anvend ikke elværktøj i eksplosive atmosfærer, f.eks. i nærheden af brændbare væsker, gasser eller støv.** Elværktøj frembringer gnister, der kan antænde støv eller dampe.
- c) **Hold børen og tilskuere på afstand, når elværktøjet bruges.** Hvis du bliver distraheret, kan du miste kontrollen over værktøjet.

## 2) ELSIKKERHED

- a) **Elværktøjets stik skal svare til stikkontakten.** Du må ikke ændre stikket på nogen måde. Brug ikke adapterstik til elværktøj med jordforbindelse. Hvis du bruger uændrede stik og stikkontakter, der passer til stikkene, mindskes risikoen for elektrisk stød.
- b) **Undgå at røre ved overflader med jordforbindelse, f.eks. rør, radiatorer, komfurer og køleskabe.** Risikoen for elektrisk stød øges, hvis din krop får jordforbindelse.
- c) **Brug ikke maskinen i regnvejir eller fugtige omgivelser.** Det kan øge risikoen for elektrisk stød. Hvis maskinen har været brugt i regnvejir, skal maskinen og batteriet tørres helt inden det oplades eller stilles til opbevaring. Tag batteripakken ud, og sæt den i igen, hvis maskinen ikke kan tændes. Hold batteriforbindelserne fri for snavs og afklip, og rengør dem med en blød og tør børste eller klud.
- d) **Undgå at udsætte ledningen for overlast.** Bær ikke værktøjet i ledningen, og træk ikke i ledningen, når du tager stikket ud af stikkontakten. Hold ledningen væk fra varme, olie, skarpe kanter og bevægelige dele. Beskadigede eller filtrerede ledninger øger risikoen for elektrisk stød.

- e) **Brug altid forlængerledninger til udendørs brug, når du anvender værktøjet udendørs.** Risikoen for elektrisk stød mindskes, hvis forlængerledningen er egnet til udendørs brug.
- f) **Hvis det elektriske værktøj anvendes i fugtige omgivelser, skal der ubetinget anvendes en strømforsyning, der er beskyttet mod reststrøm.** Det mindsker risikoen for elektriske stød.

## 3) PERSONLIG SIKKERHED

- a) **Vær opmærksom, hold altid øje med værktøjet, og brug din sunde fornuft ved brug af elværktøjet.** Brug ikke elværktøjet, hvis du er træt eller påvirket af narkotika, alkohol eller medicin. Et øjeblikks koncentrationssvigt ved brug af elværktøj kan medføre alvorlig personskade.
  - b) **Brug beskyttelsesudstyr. Brug altid sikkerhedsbriller.** Sikkerhedsudstyr som støvmaske, skridsikre sikkerhedssko, sikkerhedshjelm eller høreværn mindsker risikoen for personskade.
  - c) **Undgå at starte utilsigtet. Kontroller, at kontakten står i stillingen OFF, inden udstyret tilsluttes en strømkilde og/eller batteripakke, samles op eller transporteres.** Hvis du bærer elværktøj med fingeren på afbryderen eller sætter stikket i stikkontakten, mens afbryderen er tændt, er der risiko for ulykker.
  - d) **Fjern justeringsnøgler og lignende fra elværktøjet, før du tænder det.** Justeringsnøgler, der sidder på elværktøjets roterende dele, kan resultere i personskade.
  - e) **Undgå at række for langt. Sørg for at have et godt fodfæste og underlag.** Det giver bedre kontrol over elværktøjet i uventede situationer.
  - f) **Brug egnet arbejdstøj. Undgå løse beklædningsgenstande eller smykker. Hold hår og tøj væk fra dele, der bevæger sig.** Hold hår, tøj og handsker på afstand af de bevægelige dele. Løstsiddende tøj, smykker eller langt hår kan blive fanget af de bevægelige dele.
  - g) **Hvis værktøjet leveres med støvpose og adapter til støvudsugning, skal du kontrollere, at delene er tilsluttet korrekt.** Disse enheder mindsker risikoen for skader på grund af støv.
  - h) **Selvom du kender værktøjet godt og er vant til at bruge det, skal du alligevel være opmærksom og overholde sikkerhedsanvisningerne.** Et øjeblikks uopmærksomhed kan medføre alvorlige personskader.
- ## 4) BRUG OG VEDLIGEHOLDELSE AF ELVÆRKTØJ
- a) **Undlad at presse elværktøjet. Brug det korrekte elværktøj til opgaven.** Du opnår en bedre og mere sikker drift, hvis du anvender det korrekte elværktøj ved den anbefalede hastighed.
  - b) **Undlad at bruge elværktøjet, hvis afbryderen**

ikke slår værktøjet til og fra. *Elværktøj, der ikke kan kontrolleres ved hjælp af afbryderen, er farligt og skal repareres.*

- c) **Træk stikket på værktøjet ud fra strømkilden og/eller batteripakken, inden der foretages justeringer, udskiftning af dele eller opbevaring af værktøjet.** *Disse forholdsregler mindsker risikoen for utilsigtet start af elværktøjet.*
- d) **Opbevar elværktøj utilgængelig for børn, og lad aldrig personer, der ikke er fortrolige med elværktøjet eller disse anvisninger, bruge elværktøjet.** *Elværktøj er farligt, hvis det bruges forkert.*
- e) **Vedligehold elværktøjet.** *Kontrollér, om de bevægelige dele er korrekt justeret eller går tungt, om dele er gået i stykker og enhver anden tilstand, som kan påvirke elværktøjets funktion. Hvis elværktøjet er beskadiget, skal det repareres inden brug. Mange ulykker forårsages af dårligt vedligeholdt elværktøj.*
- f) **Hold værktøjet skarpt og rent.** *Korrekt vedligeholdt elværktøj med skarpe klinger sætter sig ikke fast og er nemmere at kontrollere.*
- g) **Brug elværktøjet, tilbehøret og eventuelle bits i henhold til disse anvisninger og på en passende måde for den pågældende type elværktøj.** *Tag altid højde for arbejdsomgivelserne og den forhåndenværende opgave. Hvis elværktøjet bruges til andre opgaver end den, det er beregnet til, kan det medføre farlige situationer.*
- h) **Hold håndtag og gribeblader tørre, rene og fri for olie og smørefedt.** *Hvis håndtag og gribeblader er glatte, kan værktøjet ikke håndteres og styres sikkert, hvis der sker noget uventet.*

## 5) BRUG OG ANVENDELSE AF BATTERIVÆRKTØJ

- a) **Oplad kun med den oplader, der er angivet af producenten.** *En oplader, der passer til en type batterienhed kan forårsage risiko for brand, hvis den bruges sammen med en anden batterienhed.*
- b) **Brug kun de el-værktøjer, der er specifikt angivet til batterienhederne.** *Brug af andre batterienheder kan udgøre en risiko for skade og brand.*
- c) **Når batterienheden ikke bruges, skal du holde den væk fra andre metalgenstande som f.eks. papirclips, mønter, nøgler, søm, skruer eller andre mindre metalgenstande, der kan skabe forbindelse mellem en klemme til en anden.** *Kortslutning af batteriklemmer kan forårsage brandsår eller brand.*
- d) **Ved forkert brug kan der sprøjtes væske ud af batteriet; undgå kontakt.** *Hvis der sker kontakt ved et uheld, skal du straks skylle med vand. Hvis der kommer væske i øjnene, skal du også søge lægehjælp. Væske, der sprøjtes ud fra batteriet, kan medføre irritation eller forbrænding.*

- e) **Brug ikke akkuer eller værktøj, som er beskadiget eller modificeret.** *Beskadigede eller modificerede akkuer kan opføre sig uforudsigeligt og forårsage brand, eksplosion eller fare for personskade.*
  - f) **Akkuer eller værktøj må ikke udsættes for lid eller meget høje temperaturer.** *Lid eller temperaturer over 130 °C kan medføre eksplosion.*
  - g) **Følg alle instruktioner for opladning.** *Akkuen må ikke oplades ved temperaturer uden for det område, der er angivet i instruktionerne. Forkert opladning eller opladning ved temperaturer uden for det angivne område kan medføre skader på akkuen og forøge brandfaren.*
- ## 6) SERVICE
- a) **Service på elværktøjet skal udføres af en autoriseret reparatør ved hjælp af originale reservedele.** *Dette sikrer, at elværktøjet er sikkert at bruge.*
  - b) **Beskadigede akkuer må aldrig repareres.** *Reparation af akkuer må kun udføres af producenten eller autoriserede reparatører.*

## VIGTIGE YDERLIGERE SIKKERHEDSBEMÆRKNINGER VEDRØRENDE HÆKKEKLIPPEREN

- a) **Brug ikke hækkeklipperen i dårligt/fugtigt vejr, især hvis der er risiko for lynnedslag.** *Dette mindsker risikoen for at blive ramt af lynet.*
- b) **Hold alle netledninger og kabler væk fra klippeområdet.** *Netledninger eller kabler kan være skjult i hække eller buske, og kan ved et uheld blive skåret over af knivene.*
- c) **Brug høreværn.** *Tilstrækkeligt beskyttelsesudstyr vil reducere risikoen for høretab.*
- d) **Hold elværktøjet i de isolerede håndgreb, når du udfører opgaver, hvor værktøjet kan komme i kontakt med skjulte elledninger eller sin egen ledning.** *Hvis værktøjet rammer en strømførende ledning, bliver dets elektriske dele også strømførende, hvilket kan give brugeren elektrisk stød.*
- e) **Hold alle kropsdeler væk fra skærebladet.** *Fjern ikke afskåret materiale og hold ikke fast i materiale, der skal skæres, når knivene er i bevægelse. Knivene fortsætter med at bevæge sig, efter at kontakten er slukket. Et øjeblik uopmærksomhed, mens der arbejdes med hækkeklipperen, kan medføre alvorlig personskade.*
- f) **Når fastsiddende materiale skal fjernes eller klipperen skal serviceres, skal du sørge for at alle afbrydere er slukket, og batteriet er fjernet eller afbrudt.** *Uventet aktivering af hækkeklipperen ved rengøring eller servicering kan*

medføre alvorlig personskade.

- g) Bær hækkklipperen i håndtaget og med stoppet skæreblad og pas på ikke at trykke på nogen afbryder. Korrekt håndtering af hækkklipperen nedsætter risikoen for personskade påført af skærebladene.
  - h) Ved transport eller opbevaring af hækkklipperen skal afskærmningen altid monteres. Korrekt håndtering af hækkklipperen vil mindske risikoen for personskade fra knivene.
  - i) Kontrollér hække og buske for fremmedlegemer, fx. trådhegn og skjult ledningsføring.
  - j) Hold hækkklipperen korrekt, fx. med begge hænder, hvis to håndtag medleveres.
  - k) Hækkklipperen er beregnet på at blive anvendt af brugeren stående på jorden – ikke på stiger eller nogen andre ustabile flader!
  - l) For du betjener hækkklipperen bør du være sikker på at låseanordningen/-er til bevægelige dele (fx. teleskopskafte og drejhovedet, hvis disse forefindes), er i låst position.
  - m) Justérbare stopmekanismer skal regelmæssigt ses efter.
  - n) Løft eller bær ikke hækkklipperen ved hjælp af kun ét håndtag.
- længere tid, hvis det ikke anvendes.
  - j) Efter længere opbevaringsperioder kan det være nødvendigt at oplade eller aflade batterisættet flere gange for at op den optimale ydelse.
  - k) Genoplad kun med laderen specificeret af Kress. Anvend ingen anden oplader end den, der specifikt er beregnet til brug med udstyret.
  - l) Brug kun det korrekte batteri til udstyret.
  - m) Batterisættet skal opbevares utilgængeligt for børn.
  - n) Opbevar den originale produktlitteratur til fremtidig brug.
  - o) Batterisættet skal fjernes fra udstyret, når det ikke er i brug.
  - p) Bortskaffes på en miljørigtig måde.
  - q) Bland ikke batterier af forskellig fremstilling, kapacitet, størrelse eller type i enheden.
  - r) Hold batteriet væk fra mikrobølgeovne og højt tryk.
  - s) Advarsel! Brug ikke genopladelige batterier.

## BRUGERVEJLEDNING – KRAV TIL TRÅDLØST PRODUKT

### DK BATTERISIKKERHED SIKKERHEDSFORSKRIFTER TIL BATTERISÆT

- a) Sekundærelementer eller batterisæt må ikke skilles ad, åbnes eller knuses.
  - b) Et batterisæt må ikke kortsluttes. Batterisæt må ikke opbevares lemfældigt i en kasse eller skuffe, hvor de kan kortslutte hinanden eller kortsluttes af ledende genstande. Når batterisættet ikke er i brug, skal det holdes væk fra andre metalgenstande, såsom papirclips, mønter, nøgler, søm, skruer eller andre små metalgenstande, der kan skabe en forbindelse fra en pol til en anden, Kortslutning af batteripoler kan medføre forbrændinger eller brand.
  - c) Batterisæt må ikke udsættes for varme eller ild. Må ikke opbevares i direkte sollys.
  - d) Batterisæt må ikke udsættes for mekaniske stød.
  - e) I tilfælde af at et batteri lækker, må væsken ikke komme i kontakt med huden eller øjne. Hvis der er sket kontakt, skal det berørte område vaskes med rigelige mængder vand, hvorefter der søges lægehjælp.
  - f) Opbevar batterisæt på et rent og tørt sted.
  - g) Aftør batterisættets poler med en tør klud, hvis de bliver snavsede.
  - h) Batterisæt skal oplades før anvendelsen. Anvend altid den korrekte oplader, og læs producentens anvisninger eller brugervejledning for, hvordan batterierne oplades korrekt.
  - i) Et batterisæt må ikke efterlades til opladning i
- a) Brugen af denne enhed er underlagt følgende betingelser:
    - (1) This device may not cause harmful interference, and
    - (2) denne enhed skal acceptere enhver modtaget interferens, inklusive interferens, der kan forårsage uønsket drift.
  - b) Forsigtigt: Ændringer eller modifikationer af denne enhed, der ikke udtrykkeligt er accepteret af den part, der er ansvarlig for overholdelsen, kan ugyldiggøre brugerens ret til at bruge udstyret.
  - c) BEMÆRK: Dette udstyr genererer, bruger og kan udstråle radiofrekvensenergi og kan, hvis det ikke installeres og bruges i overensstemmelse med instruktionerne, forårsage skadelig interferens i radiokommunikation. Der er dog ingen garanti for, at interferens ikke vil forekomme i en bestemt installation. Hvis dette udstyr forårsager skadelig interferens på radio- eller tv-modtagelse, hvilket kan fastslås ved at slukke og tænde for udstyret, opfordres brugeren til at forsøge at rette op på interferensen ved hjælp af en eller flere af følgende foranstaltninger:
    - Drej eller flyt modtagerantennen.
    - Øg afstanden mellem udstyret og modtageren.
    - Tilslut udstyret til en stikkontakt på et andet kredsløb end det, som modtageren er tilsluttet.
    - Henvend dig til en forhandler eller en erfaren radio-/tv-tekniker for assistance.


# SYMBOLER

|  |  |
|--|--|
|    | For at undgå risikoen for personskader skal brugeren læse brugervejledningen   |
|    | Advarsel   |
|    | Bær øjenværn   |
|    | Bær høreværn   |
|    | Bær støvmaske  |
|    | Hold hænderne væk  |
|    | Bær beskytteshandsker  |
|    | Må ikke brændes.   |
|   | Batterier kan indgå i vandkredsløbet, hvis de bortskaffes forkert, hvilket kan være farligt for økosystemet. Bortskaf ikke udtjente batterier som usorteret, kommunalt affald.   |
| <br>Li-Ion<br> | Li-Ion batteri. Dette produkt er mærket med et symbol, der henviser til "separat indsamling" for alle batteripakker og elementer. Det vil derefter blive genanvendt eller demonteret for at mindske miljøbelastningen. Batteripakker kan være farlige for miljøet og for menneskers sundhed, da de indeholder farlige stoffer. |
|    | Elektriske affaldsprodukter må ikke bortskaffes sammen med husholdningsaffald. Afleverer venligst maskinen på genbrugsstationen. Kontakt de lokale myndigheder eller din forhandler for at få råd om genbrug.  |



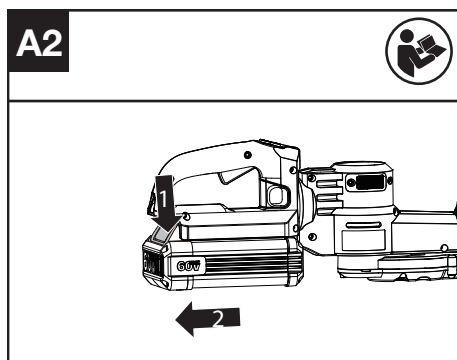
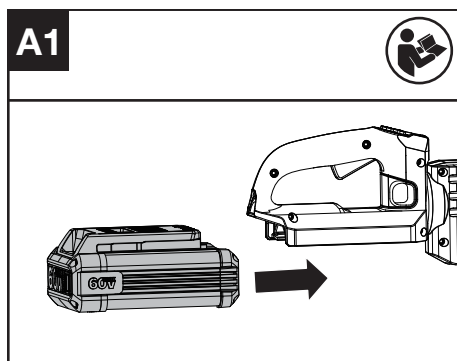
Fjern batteriet før du udfører justeringer, service eller vedligeholdelse.

## SAMLING OG BETJENINGS

 **Noter:** Før du bruger dette værktøj, læs instruktionsbogen omhyggeligt.

 **FØR DU BRUGER:**

Sådan fjernes eller isættes batterienheden (Se Fig. A1,A2)

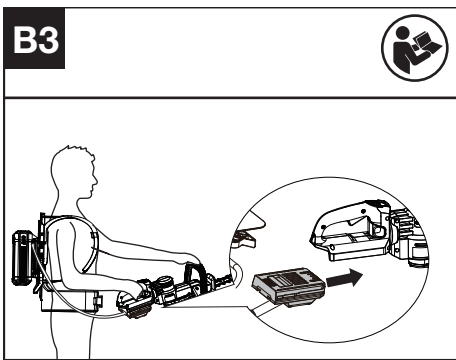
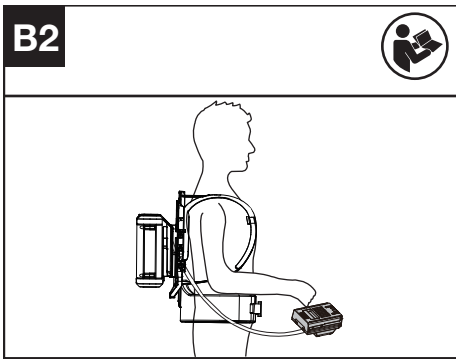
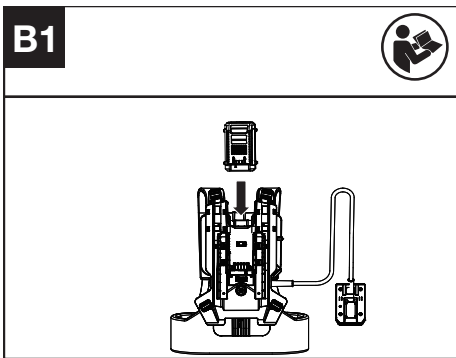


1. Skub batteripakken ind i batterirummet, indtil du hører et klik.
2. Tryk på batteriudløserknappen for at frigøre batteripakken fra værktøjet.

### Tilkobling af hækklipper på rygselen (Se Fig. B1,B2,B3)

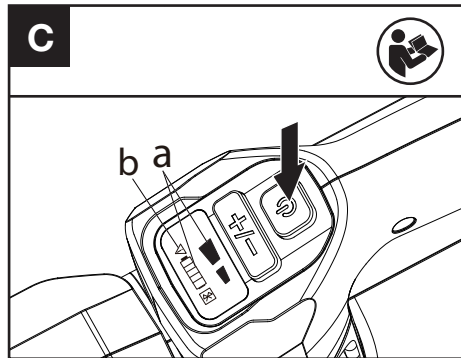
Installér batteriet i rygselen, og sæt stikket i maskinen. Tag selen på. Der er yderligere info i manualen til rygselen.

DK



## Kontrol af displayet

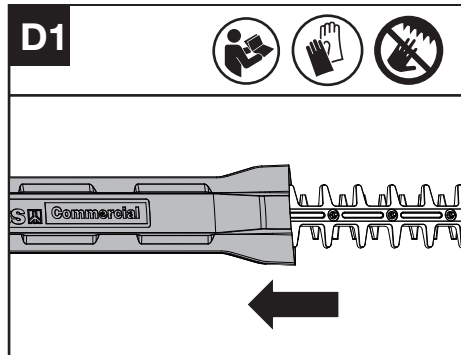
1. Indsæt batteriet.
2. Hold og tryk på tænd/sluk-knappen. Produktet er tændt, når LED (a) lyser. Produktet er slukket, når LED (a) er slukket.
3. Hvis advarselsindikatoren (b) lyser eller blinker, henvises til **Fejlfinding** for at finde løsninger.
4. Tryk på det forreste afbryderhåndtag, og tryk derefter på det bagerste afbryderhåndtag for at starte maskinen.
5. Slip det bagerste afbryderhåndtag. Trimmeren stopper. Hvis trimmeren ikke kan stoppe, skal man fjerne batteriet og kontakte serviceagenten.



## BETJENING

### OPSTART & SLUKNING

Før brug, fjernes kappen til kniven. (Se Fig. D1)



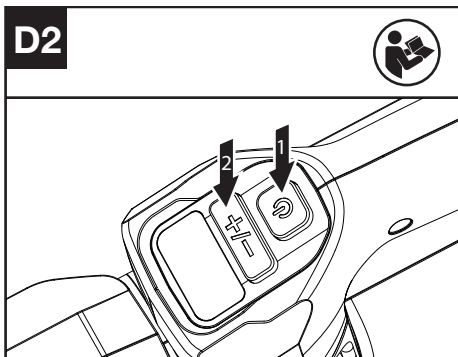
### Valg af hastighed

1. Tryk på tænd/sluk-knappen.
2. Tryk på hastighedskontrolknappen for at vælge den hastighed, du har brug for. (Se Fig. D2)

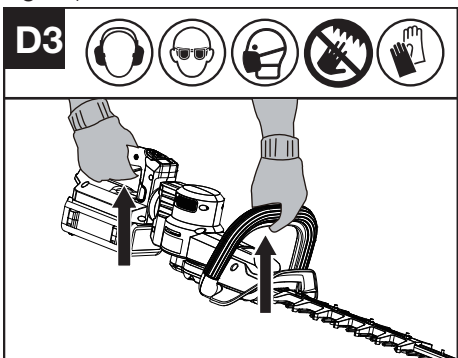
## Test af trimmer og batteri (Se Fig. C)

### Kontrol af betjeningsanordningerne Forreste afbryderhåndtag og bageste afbryderhåndtag

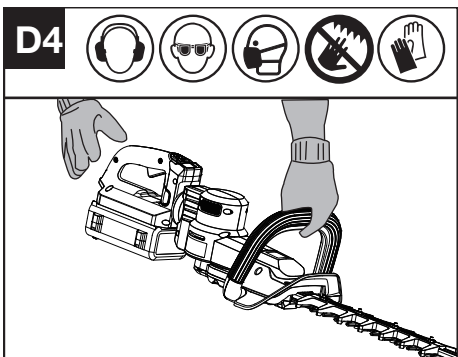
1. Fjern batteriet.
2. Tryk og slip det forreste afbryderhåndtag og det bagerste afbryderhåndtag. Hvis det bagerste afbryderhåndtag eller det forreste afbryderhåndtag sidder fast og ikke kan springe tilbage til sin oprindelige position. Stop med at bruge trimmeren og kontakt serviceagenten.



Tryk på det forreste afbryderhåndtag og det bageste afbryderhåndtag for at starte. (Se Fig. D3)



Slip bageste og forreste kontakt for at standse. (Se Fig. D4)

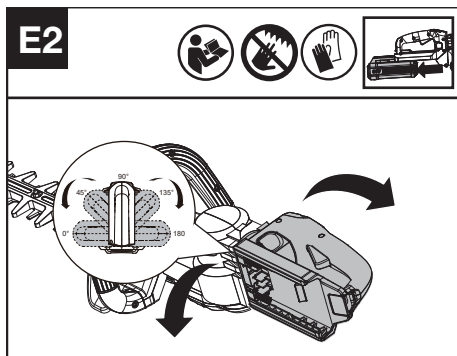
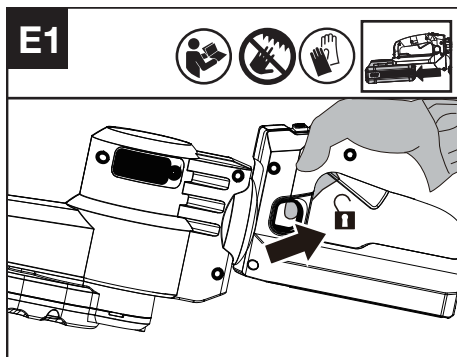


Når maskinen ikke er i brug, slukker du for den og kobler den fra rygselen.

### Roterende baggreb (Se Fig. E1, E2)

**BEMÆRK:** Slå låseknappen fra før rotering påbegyndes. Når du har drejet håndtaget til den ønskede position, skal du justere det lidt, indtil et klik kan høres.

**! ADVARSEL:** Sørg altid for, at håndtaget er låst fast i den ønskede position før brug. Sørg altid for, at låseknappen er låst, inden du starter hækklipperen. Drej ikke håndtaget, når klipperen betjenes.



### Sådan bruges hæksaksen

Inden du begynder at klippe, skal du inspicere klippeområdet og fjerne alle fremmede ting, som kan slynges væk eller sætte sig fast i bladene. Hold altid hæksaksen med begge hænder og bladene væk fra dig, inden du aktiverer den.

Når du skærer ny vækst, skal du bruge store bevægelser, så stilkene kommer direkte ind i bladene.

Lad skærebladene komme op på fuldt tempo, inden du begynder at skære. Under arbejdet skal du holde skærebladene væk fra mennesker og ting såsom vægge, store sten, træer, køretøjer osv. Under arbejdet skal du holde skærebladene væk fra mennesker og ting såsom vægge, store sten, træer, køretøjer osv.

Hvis bladene sætter sig fast, skal du omgående stoppe hæksaksen. Frigør de to kontakthåndtag, inden du forsøger at bladene for tilstoppende afskæring.

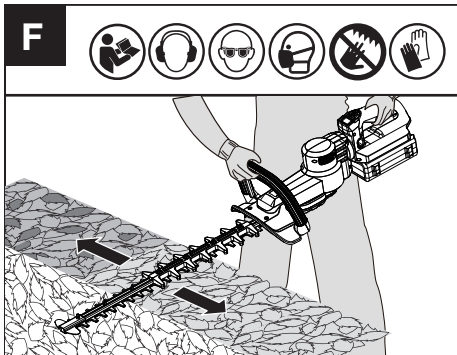
Brug handsker, når du klipper tornet og anden stikkende vækst.

Forsøg ikke at skære stilke, der er for tykke for skærebladene.

## Topskæring (Se Fig. F)

Brug store og fejende bevægelser. Led nedadvendte skærebåde i bevægelsesretningen giver de bedste skæreresultater.

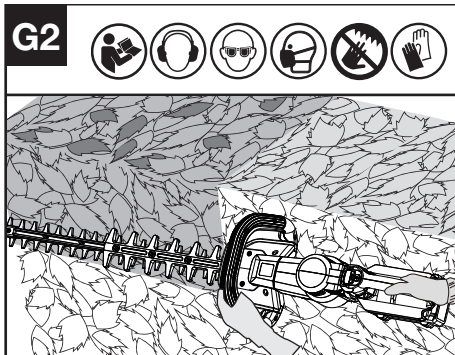
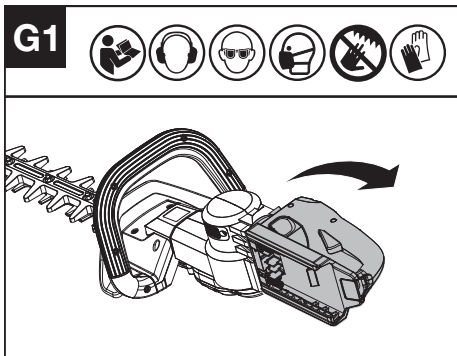
**!** **ADVARSEL:** Hvis der er manglende, beskadigede eller ødelagte dele, må hækklipperen ikke betjenes, før alle beskadigede dele er erstattet eller repareret. Hvis man undlader at gøre dette, kan det føre til alvorlig personlig kvæstelse. **BRUG IKKE DETTE PRODUKT UDEN AT SKÆRMEN OG FORHÅNDTAGET ER MONTERET.**



## Sideskæring (Se Fig. G1, G2)

Når du klipper hækens sider, skal du gøre det nedefra og op. Denne form viser mere af hækken og giver en mere ensartet vækst.

**!** **ADVARSEL:** Stop med at betjene klipperen, før du drejer håndtaget.



## TRANSPORT

### Transport af trimmeren

1. Sluk trimmeren, og fjern batteriet.
2. Når du transporterer din trimmer i hånden, skal du holde midten af akslen med skærehovedet bagud, og sørge for, at maskinen er parallel med jorden.
3. Når du transporterer trimmeren i et køretøj, skal du sikre og placere den for at forhindre bevægelse eller beskadigelse.

### Transport af batteriet

1. Sørg for, at batteriet er i sikker stand.
2. Brug ikke-ledende emballage, når du transporterer batteriet.
3. Li-Ion-batterierne er omfattet af lovgivningen om farligt gods.  
Transporter kun batterier, hvis batterihuset er intakt. Pak batterierne ind på en sådan måde, at de ikke kan bevæge sig rundt i emballagen.

## VEDLIGEHOLDELSE

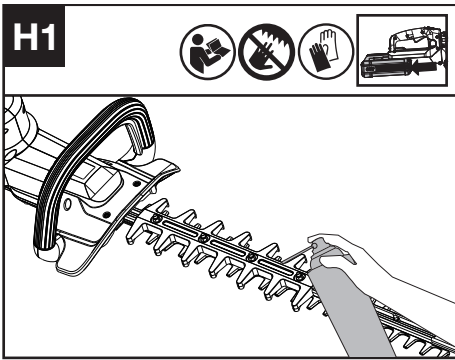
**!** **ADVARSEL!** Fjern altid batteriet, før der udføres vedligeholdelse på trimmeren.

### Fjern batteriet før du udfører justeringer, service eller vedligeholdelse.

Der er ingen dele, der kan brugerserviceres i dit el-værktøj. Brug aldrig vand eller kemiske rengøringsmidler til rengøring. Må kun rengøres med en tør klud. Opbevares på et tørt sted. Hold motorens ventilationsåbninger rene. Knapperne o.l. skal være rene og frie for støv.

### Smøring af skærebådene (Se Fig. H1)

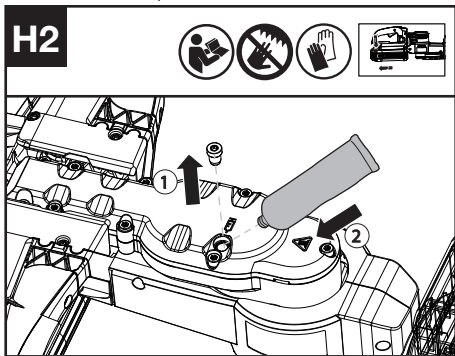
**BEMÆRK:** Det er vigtigt kun at anvende den anbefalede smørelolie (WD-40) for at undgå beskadigelse af kniven.



## Smøring af gearkasse (Se Fig. H2)

Fjern påfyldningsskruen fra gearhuset. Smør gearkassen gennem påfyldningshullet efter hver 50 timers drift. Fjern skrueene fra gearkassens dæksel, og fjern dækslet. Smøring efter hver 300 timers drift.

**BEMÆRK:** For bedste funktion og længere levetid, smøres hæklipperens gearhus med fedt. (SHELL Gadus S2 V220 1).



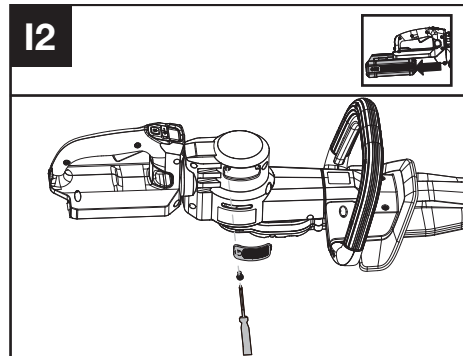
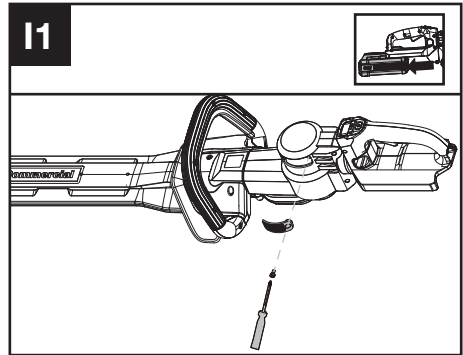
## SLIBNING

**⚠ ADVARSEL:** Brug ikke maskinen med sløve eller beskadigede knive, som kan medføre overbelastning og utilfredsstillende præstation. Når skæreydelsen begynder at forringes, skal du slibe kniven. Når skæreydelsen begynder at blive dårligere, skal du få klingens slæbet af en professionel. Bær altid beskyttelseshandsker, når du håndterer trimmerklingen, og slib kun skærekanten. Slib kun selve æggen. Slib ikke stumpede fremspringende dele på klingens eller dens beskyttelseanordninger. Brug en hvæssesten til at fjerne grater fra æggen. Efter slibning fjernes slibestøv fra kniven.

## Rengøring af luftfilteret (Se Fig. I1, I2)

1. Rengør området omkring luftfilteret. Brug en fugtig klud eller en blød børste.
2. Skru luftfilteret af og fjern det.

3. Vask luftfilteret med rindende vand for at fjerne snavset.
4. Lad luftfilteret lufttørre. Derefter monteres det i huset ved at skru skruen fast.



## RENGØRING

1. Sluk trimmeren, og fjern batteriet.
2. Brug ikke aggressive rengøringsmidler eller opløsningsmidler. Rengør maskinen efter brug med en fugtig klud dypet i et mildt rengøringsmiddel.
3. Hold batteriforbindelsen fri for snavs og rengør dem med en blød og tør børste eller klud.
4. Sprøjt ikke vand ind i motoren og de elektriske komponenter.
5. Brug ikke en højtryksrenser til rengøring af din maskine.

## OPMAGASINERING

1. Fjern batteripakken fra trimmeren inden opmagasinerings.
2. Opbevar trimmeren og batteriet på et tørt og sikkert sted, der er utilgængeligt for børn og andre uautoriserede personer.
3. Opbevar kun batteriet inden for et temperaturområde på mellem 5 °C og 25 °C. Lad f.eks. ikke batteriet ligge i bilen om sommeren.

4. Hvis maskinen har været brugt i regnvej, skal maskinen og batteriet tørres helt inden det oplades eller stilles til opbevaring. Tag batteripakken ud, og sæt den i igen, hvis maskinen ikke kan tændes.

## TIL BATTERIREDSKABER

Det anbefalede område for omgivelsestemperatur for afladning er -4°F~113°F (-20°C~45°C).

Det anbefalede omgivende temperaturområde for opladningssystemet under opladning er 23°F~113°F (-5°C~45°C).

## FEJLFINDING

Følgende skema indeholder mulige problemer og handlinger, som du kan lave hvis dit værktøj ikke virker ordentligt.



**Advarsel: Sluk for værktøjet og tag batteriet ud, før du begynder at lede efter fejlen.**

### TRIMMER

| Problemer                     | Mulige årsager                         | Afhjælpende foranstaltninger   |
|-------------------------------|--|--|
| Batteriindikator-LED blinker  | Lav batterispænding.                   | Oplad batteriet.   |
| Rød fejl-LED blinker          | Overbelastning.                        | Skæringsudstyret sidder fast<br>Deaktiver produktet. Fjern batteriet. Rengør skæreindsatsen for uønsket materiale. |
|                               | Temperaturproblem.                     | Lad produktet køle ned.  |
|                               | Andre problemer                        | Kontakt serviceagent   |
| Produktet starter ikke        | Snavs i batteristikkene.               | Rengør batteristikkene med trykluft eller en blød børste.  |
|                               | Andre problemer                        | Kontakt serviceagent.  |
| Trimmeren kører uregelmæssigt | Batteriet er ikke sat helt i maskinen. | Sæt batteriet helt i.  |
|                               | Muligt elektrisk problem.              | Kontakt serviceagent.  |

|  |  |  |
|--|--|--|
|  | Problem med skæreudstyret. Maskinen er defekt. | Udskift skæreudstyret. Kontakt serviceagent. |
|--|--|--|

### BATTERI

| Problemer      | Mulige årsager       | Afhjælpende foranstaltninger   |
|----------------|----------------------|--|
| Fejl-LED tændt | Batteriet er afladet | Oplad batteriet. Hvis batteriet ikke kan oplades, skal du kontakte din serviceagent.   |
|                | Temperaturproblem.   | Brug batteriet i omgivelser, hvor temperaturen er mellem -5 °C og 45 °C (23 °F til 113 °F) ved opladning: -20 °C til 45 °C (-4 °F til 113 °F) ved afladning. |
|                | Andre                | Kontakt din serviceagent.  |

## TEKNISK DATA

Type: **KC201 KC201.X (201- benævnelser på maskinen, repræsentativ for akku hækkeklipper)**

|                             | KC201 KC201.X**   |
|-----------------------------|-------------------|
| Spænding                    | 60 V  MAX ***     |
| Skærehastighed              | 4400/5000 SPM     |
| Klingelængde                | 63 cm (25")       |
| Tandafstand                 | 30 mm (1.18 inch) |
| Grad af beskyttelse         | IPX4              |
| Maskinvægt (Bare værktøjer) | 3.8 kg (8.3 lbs)  |

\*\* X = 1-999, A-Z, M1-M9 er kun til forskellige kunder, der er ingen sikkerhedsrelaterede ændringer mellem disse modeller.

\*\*\* Spændingen er målt uden arbejdsbelastning. Den indledende batterispænding når maksimalt op på 60 volt. Nominal spænding er 54 volt.

# ANBEFALEDE BATTERIER OG OPLADERE

| Batteri                  | Amp    | Oplader | Amperage |
|--------------------------|--------|---------|----------|
| KAC800                   | 4 Ah   | KAC840  | 30 A     |
| KAC810<br>(Med bæresele) | 11 Ah  |         |          |
| KA3000                   | 2.0 Ah |         |          |

Vi anbefaler, at du køber dit tilbehør hos den samme forhandler, som solgte dig værktøjet. Yderligere oplysninger kan ses på tilbehørets emballage. Din forhandler kan hjælpe dig og give råd.

## TEKNISKE DATA FOR BATTERIPAKKEN (VALGFRI)

|  |                 |
|--|-----------------|
| Frekvensbånd for Bluetooth                   | 2400-2483.5 MHz |
| Maksimalt transmitteret effekt for Bluetooth | 8 dBm           |

## STØJINFORMATION

A-vægtet lydtrykniveau  $L_{pA} = 87.48 \text{ dB(A)}$

$K_{pA}$  3.0 dB(A)

A-vægtet lydeffektniveau  $L_{wA} = 95.48 \text{ dB(A)}$

$K_{wA}$  0.97 dB(A)

Bær høreværn.



## VIBRATIONSINFORMATION

Den totale værdi for vibration målt ifølge EN 62841:

|                         |                                   |
|-------------------------|-----------------------------------|
| Typisk vægtet vibration | Bag: $a_h = 2.42 \text{ m/s}^2$   |
|                         | Foran: $a_h = 2.50 \text{ m/s}^2$ |
| Usikkerhed              | Bag: $K = 1.5 \text{ m/s}^2$      |
|                         | Foran: $K = 1.5 \text{ m/s}^2$    |

Den angivne vibrationstotalværdi og den deklarerede støjemissionsværdi er målt i overensstemmelse med en standard testmetode og kan bruges til at sammenligne et værktøj med et andet.

Den angivne vibrationstotalværdi og den angivne støjemissionsværdi kan også anvendes i en foreløbig vurdering af eksponeringen

**!** **ADVARSEL:** Vibrationer og støjemissioner under selve brugen af elværktøjet kan afvige fra den deklarerede værdi afhængigt af, hvordan

værktøjet bruges, især hvad slags emne behandles afhængigt af følgende eksempler og andre variationer af, hvordan værktøjet bliver brugt: Hvordan værktøjet bruges og materialerne skæres eller bores.

Værktøjets stand og vedligeholdelse. Anvendelse af korrekt tilbehør og kontrol med, at det er skarpt og i en i det hele taget god tilstand.

Hvor kraftigt, der holdes fast i håndtaget og, om der benyttes antivibrationsudstyr.

Om værktøjet anvendes i henhold til dets konstruktion og nærværende anvisninger.

**Værktøjet kan medføre et hånd/arm-vibrationssyndrom, hvis det ikke bruges på rigtig måde.**



**ADVARSEL:** En vurdering af udsættelsesgraden under det aktuelle brug skal omfatte alle dele af arbejdsrytmen, herunder antallet af gange værktøjet slås til og fra, og tomgangsdriften uden for selve arbejdsopgaven. Dette kan afgørende reducere udsættelsesniveauet i den samlede arbejdsperiode.

Hjælper med at minimere risikoen for vibrationer og støjeksponering.

Brug ALTID skarpe mejsler, bor og blade.

Vedligehold værktøjet i overensstemmelse med disse instruktioner og hold det korrekt smurt (hvor det er nødvendigt).

Hvis værktøjet skal bruges regelmæssigt, skal du investere i anti-vibrations- og støjtilbehør.

Planlæg dit arbejde, så du kan fordele arbejde med kraftige vibrationer over flere dage.

DK

## MILJØBESKYTTELSE



Affald af elektriske produkter må ikke bortskaffes sammen med husholdningsaffald. Indlever så vidt muligt produktet til genbrug.

Kontakt de lokale myndigheder eller forhandleren, hvis du er i tvivl.

# KONFORMITETSERKLÆRING

VI,  
Positec Germany GmbH  
Postfach 680194, 50704 Cologne, Germany

På vegne af Positec erklæres at produktet  
Beskrivelse **Batteridrevet hækkeklipper**  
Type **KC201 KC201.X (201-benævnelser på maskinen, repræsentativ for hækkeklipper)**  
Funktioner **Trimmer hække og buske**

Er i overensstemmelse med følgende direktiver:  
**2006/42/EC, 2014/30/EU, 2011/65/EU&(EU)2015/863, 2000/14/EC ændret ved 2005/88/EC**

2000/14/EC ændret ved 2005/88/EC:  
- Konformitetstestprocedure pr Annex V  
- Målt niveau for lydeffekt 95.48 dB (A)  
- Deklareret garanteret niveau for lydeffekt 96.45 dB (A)

Standarder i overensstemmelse med  
**EN 62841-1, EN 62841-4-2, EN ISO 3744, EN IEC 55014-1, EN IEC 55014-2, EN IEC 63000**

Personen, autoriseret til at udarbejde den tekniske fil,  
**Navn Marcel Filz**  
**Adresse Positec Germany GmbH**  
**Postfach 680194, 50704 Cologne, Germany**

DK



2024/06/19  
Allen Ding  
Vicechef; Ingeniør, Test & Certificering  
Positec Technology (China) Co., Ltd  
18, Dongwang Road, Suzhou Industrial  
Park, Jiangsu 215123, P. R. China

# SISÄLLYSLUETTELO

|                                    |     |
|------------------------------------|-----|
| Johdanto.....                      | 203 |
| Komponenttiluettelo.....           | 204 |
| Tuoteturvallisuus.....             | 205 |
| Kokoaminen ja käyttö.....          | 208 |
| Kuljetus.....                      | 211 |
| Huoltotoimenpiteet.....            | 211 |
| Puhdistus.....                     | 212 |
| Säilytys.....                      | 212 |
| Vianmääritys.....                  | 213 |
| Tekniset tiedot.....               | 213 |
| Ympäristönsuojelu.....             | 214 |
| Vaativuuden mukaisuusvakuutus..... | 214 |

FIN

## JOHDANTO

Hyvä asiakas,

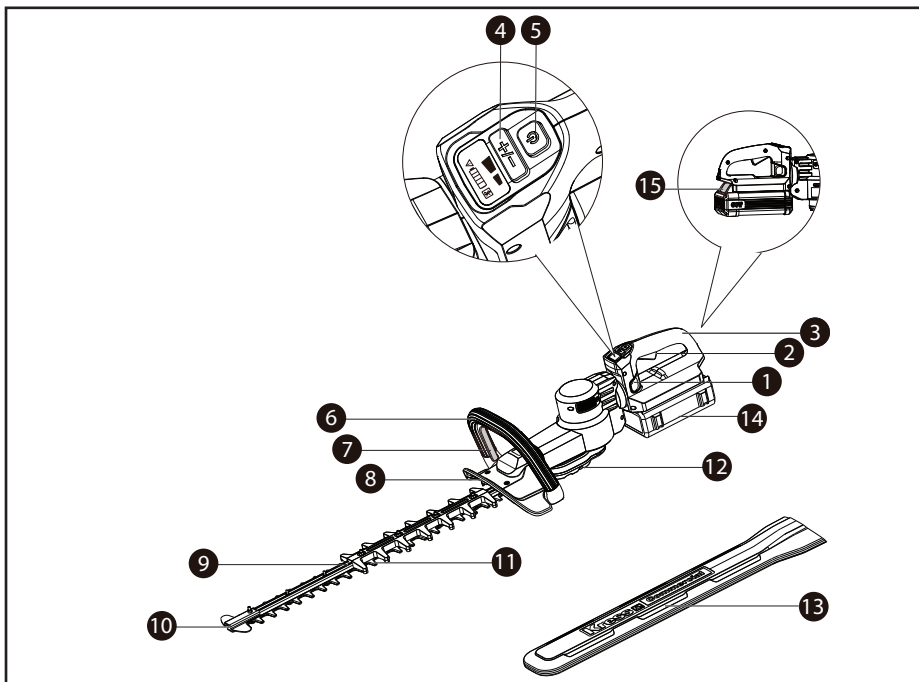
Kiitos, että olet ostanut tämän Kress Commercial-tuotteen. Olemme omistautuneet kehittämään korkealaatuisia tuotteita, jotka täyttävät kaupallisen maisemoinnin vaatimukset.

Kress-tuotemerkki on synonyymi korkealaatuiselle palvelulle. Jos sinulla on kysyttävää tai huolenaiheita tuotteestasi vuosien kuluessa, ota yhteyttä kauppiaseesi tai asiakaspalvelutiimiimme saadaksesi apua.

Olemme vakuuttuneita siitä, että nautit työskentelystä Kress-tuotteesi kanssa tulevien vuosien ajan.

## KÄYTTÖTARKOITUS

Kone on tarkoitettu pensasaitojen ja pensaiden leikkaamiseen kevyeen ja raskaaseen kaupalliseen käyttöön.




## KOMPONENTTILUETTELO

- |     |   |
|-----|---|
| 1.  | LUKITUSKYTKIN TAKAKAHVAN KÄÄNTÄMISTÄ VARTEN |
| 2.  | KAASULIIPAININ                              |
| 3.  | KÄÄNTYVÄ TAKAKAHVA                          |
| 4.  | NOPEUDENSÄÄTÖPAINIKE                        |
| 5.  | ON/OFF-VIRTAKYTKIN                          |
| 6.  | ETUKAHVA                                    |
| 7.  | KÄYTTÄJÄN LÄSNÄOLOKYTKIN                    |
| 8.  | ETUKAHVA                                    |
| 9.  | TERÄ  |
| 10. | KÄRJEN SUOJA                                |
| 11. | TAKATERÄN SUOJUS                            |
| 12. | METALLINEN VAIHDELAATIKKO                   |
| 13. | TERÄN TUPPI                                 |
| 14. | AKKUYKSIKKÖ *                               |
| 15. | AKKUYKSIKÖN VAPAUTUSPAINIKE                 |

\* Kuvissa esitetyt ja selostetut lisävarusteet eivät aina kuulu toimitukseen.

# ALKUPERÄISET OHJEET TURVALLISUUSOHJEET TUOTETURVALLISUUS YLEISET SÄHKÖTYÖKALUJEN TURVALLISUUTEEN LIITTYVÄT VAROITUKSET

 **VAROITUS** Lue kaikki tämän sähkötyökalun mukana toimitetut varoitukset, ohjeet, kuvat ja tekniset tiedot. Alla mainittujen ohjeiden noudattamisen laiminlyönti saattaa aiheuttaa sähköiskun, tulipalon ja/tai vakavan loukkaantumisen.

**Säilytä kaikki turvallisuus- ja muut ohjeet tulevaisuutta varten.**

Turvallisuusohjeissa käytetty käsite "sähkötyökalu" käsittää verkkokäyttöisiä sähkötyökaluja (verkkojohdolla) ja akkukäyttöisiä sähkötyökaluja (ilman verkkojohtoa).

## 1) TYÖPAIKAN TURVALLISUUS

- Pidä työskentelyalue puhtaana ja hyvin valaistuna.** Työpaikan epäjärjestys tai valaisemattomat työalueet voivat johtaa tapaturmiin.
- Älä työskentele sähkötyökalulla räjähdyksalttiissa ympäristössä, jossa on palavaa nestettä, kaasua tai pölyä.** Sähkötyökalu muodostaa kipinöitä, jotka saattavat sytyttää pölyn tai höyryt.
- Pidä lapset ja sivulliset loitolla sähkötyökalua käyttäessäsi.** Voit menettää laitteesi hallinnan, huomiosi suuntautuessa muualle.

## 2) SÄHKÖTURVALLISUUS

- Sähkötyökalun pistotulpan tulee sopia pistorasiaan. Pistotulppaa ei saa muuttaa millään tavalla. Älä käytä mitään pistorasia-adaptoreita maadoitettujen sähkötyökalujen kanssa.** Alkuperäisessä kunnossa olevat pistotulpat ja sopivat pistorasiat vähentävät sähköiskun vaaraa.
- Vältä koskettamasta maadoitettuja pintoja, kuten putkia, pattereita, liesiä tai jääkaappeja.** Sähköiskun vaara kasvaa, jos kehosi on maadoitettu.
- Älä käytä laitetta sateessa tai märissä olosuhteissa. Tämä voi lisätä sähköiskun vaaraa.** Jos laite kone ja akku kastuvat sateessa käytön aikana, ne tulee kuivata ennen varastointia tai lataamista. Irrota akku ja aseta se takaisin, jos laite ei käynnisty. Pidä akkuliitainta vapaana liasta ja roskista, ja puhdista pehmeällä sekä kuivalla harjalla tai liinalla.
- Älä käytä verkkojohtoa väärin. Älä käytä sitä sähkötyökalun kantamiseen, vetämiseen tai pistotulpan irrottamiseen pistorasiasta. Pidä**

johto loitolla kuumuudesta, öljystä, terävistä reunoista ja liikkuvista osista. Vahingoittuneet tai sokeutuneet johdot kasvattavat sähköiskun vaaraa.

- Käyttäessäsi sähkötyökalua ulkona, käytä ainoastaan ulkokäyttöön soveltuvaa jatkojohtoa.** Ulkokäyttöön soveltuvan jatkojohdon käyttö pienentää sähköiskun vaaraa.
  - Jos sähkötyökalun käyttö kosteassa ympäristössä ei ole vältettävissä, tulee käyttää maavuotokatkaisijaa.** Maavuotokatkaisijan käyttö vähentää sähköiskun vaaraa.
- ## 3) HENKILÖTURVALLISUUS
- Ole valpas, kiinnitä huomiota työskentelyysi ja noudata tervettä järkeä sähkötyökalua käyttäessäsi. Älä käytä sähkötyökalua, jos olet väsynyt tai huumeiden, alkoholin tahi lääkkeiden vaikutuksen alaisena.** Hetken tarkkaamattomuus sähkötyökalua käytettäessä, saattaa johtaa vakavaan loukkaantumiseen.
  - Käytä suojavarusteita. Käytä aina suoja-laseja.** Henkilökohtaisen suojavarustuksen käyttö, kuten pölynaamarin, luistamattomien turvakengien, suojakypärän tai kuulonsuojaimien, riippuen sähkötyökalun lajista ja käyttötavasta, vähentää loukaantumisriskiä.
  - Vältä tahatonta käynnistämistä. Varmista, että sähkötyökalu on poiskytketty, ennen kuin liität sen sähköverkkoon ja/ tai liität akun, otat sen käteen tai kannat sitä.** Jos kannat sähkötyökalua sormi käynnistyskytkimellä tai kytket sähkötyökalun pistotulpan pistorasiaan, käynnistyskytkimen ollessa käyntiasennossa, altistat itsesi onnettomuuksille.
  - Poista kaikki säätötyökalut ja ruuvitaltat, ennen kuin käynnistät sähkötyökalun.** Työkalu tai avain, joka sijaitsee laitteen pyöriivässä osassa, saattaa johtaa loukkaantumiseen.
  - Älä yliarvioi itseäsi. Huolehdi aina tukevasta seisomaasennosta ja tasapainosta.** Täten voit paremmin hallita sähkötyökalua odottamattomissa tilanteissa.
  - Käytä tarkoitukseen soveltuvia vaatteita. Älä käytä löysiä työvaatteita tai koruja. Pidä hiukset ja vaatteet poissa liikkuvien osien ulottuvilta.** Välijät vaatteet, korut ja pitkät hiukset voivat takertua liikkuviin osiin.
  - Jos pölynimu- ja keräilylaitteita voidaan asentaa, tulee sinun tarkistaa, että ne on liitetty ja että ne käytetään oikealla tavalla.** Pölynimulaitteiston käyttö vähentää pölyn aiheuttamia vaaroja.
  - Työskentele keskittyneesti ja noudata aina turvallisuusmääräyksiä.** etkellinenkin huolimattomuus voi aiheuttaa vakavia vammoja.
- ## 4) SÄHKÖTYÖKALUJEN KÄYTTÖ JA HOITO
- Älä ylikuormita laitetta. Käytä kyseiseen työhön tarkoitettua sähkötyökalua.** Sopivaa

sähkötyökäluä käyttäen työskentelet paremmin ja varmemmin tehoalueella, jolle sähkötyökälu on tarkoitettu.

- b) **Älä käytä sähkötyökäluä, jota ei voida käynnistää ja pysäyttää käynnistyskytkimestä.** Sähkötyökälu, jota ei enää voida käynnistää ja pysäyttää käynnistyskytkimellä, on vaarallinen ja se täytyy korjata.
- c) **Irrota pistotulppa pistorasiasta ja/tai irrota akku (jos irrotettava) sähkötyökäluä, ennen kuin suoritat säätöjä, vaihdat tarvikkeita tai viet sähkötyökäluä varastoon.** Nämä turvatoimenpiteet pienentävät sähkötyökäluä tahattoman käynnistysriskin.
- d) **Säilytä sähkötyökäluä poissa lasten ulottuvilta, kun niitä ei käytetä. Älä anna sellaisten henkilöiden käyttää sähkötyökäluä, jotka eivät tunne sitä tai jotka eivät ole lukeneet tätä käyttöohjetta.** Sähkötyökäluä ovat vaarallisia, jos niitä käyttävät kokemattomat henkilöt.
- e) **Pidä sähkötyökäluä ja tarvikkeet hyvässä kunnossa.** Tarkista, että liikkuvat osat toimivat moitteettomasti, eivätkä ole puristuksessa sekä, että siinä ei ole murtuneita tai vahingoittuneita osia, jotka saattaisivat vaikuttaa haitallisesti sähkötyökäluä toimintaan. Anna korjauttaa mahdolliset viat ennen käyttöönottoa. Momen tapaturman syyt löytyvät huonosti huolletuista laitteista.
- f) **Pidä leikkausterät terävinä ja puhtaina.** Huolellisesti hoidetut leikkaustyökäluä, joiden leikkausreunat ovat teräviä, eivät tartu helposti kiinni ja niitä on helpompi hallita.
- g) **Käytä sähkötyökäluä, tarvikkeita, vaihtotyökäluä jne. näiden ohjeiden mukaisesti. Ota tällöin huomioon työolosuhteet ja suoritettava toimenpide.** Sähkötyökäluä käyttö muuhun kuin sille määrättyyn käyttöön, saattaa johtaa vaarallisiin tilanteisiin.
- h) **Pidä kahvat ja kädensijat kuivina ja puhtaina (öljyttöminä ja rasvattomina).** Jos kahvat ja kädensijat ovat liukkaita, et pysty yllättävissä tilanteissa ohjaamaan ja hallitsemaan työkäluä turvallisesti.
- 5) **AKKUKÄYTTÖISTEN SÄHKÖTYÖKÄLUJEN KÄYTTÖ JA HOITO**
- a) **Lataa akku vain valmistajan määräämässä latauslaitteessa.** Latauslaite, joka soveltuu määrättyntyyppiselle akulle, saattaa muodostaa tulipalovaaran erilaista akkuä ladattaessa.
- b) **Käytä sähkötyökäluä ainoastaan kyseiseen sähkötyökäluun tarkoitettua akkuä.** Jonkun muun akun käyttö saattaa johtaa loukkaantumiseen ja tulipaloon.
- c) **Pidä irrallista akkuä loitolla metalliesineistä, kuten paperinliittimistä, kolikoista, avaimista, nautoista, ruuveista tai muista pienistä metalliesineistä, jotka voivat oikosulkea akun koskettimet.**

Akkukoskettimien välinen oikosulku saattaa aiheuttaa palovammoja tai johtaa tulipaloon.

- d) **Väärästä käytöstä johtuen saattaa akusta vuotaa nestettä, jota ei tule koskettaa. Jos nestettä vahingossa joutuu iholle, huuhtelee kosketuskohta vedellä. Jos nestettä pääsee silmiin, tarvitaan tämän lisäksi lääkärin apua.** Akusta vuotava neste saattaa aiheuttaa ärsytystä ja palovammoja.
- e) **Älä käytä akkuä tai työkäluä, joka on voittunut tai johon on tehty muutoksia.** Jos akut ovat vioittuneet tai niihin on tehty muutoksia, ne voivat toimia ennalta arvaamattomasti ja aiheuttaa tulipalon, räjähdyksen tai loukkaantumisvaaran.
- f) **Älä altista akkuä tai työkäluä tullelle tai ääriammäisille lämpötiloille.** Tullelle tai yli 130°C asteen lämpötilalle altistaminen saattaa aiheuttaa räjähdyksen.
- g) **Noudata latausohjeita ja lataa akkuä tai työkäluä ohjeenmukaisen lämpötila-alueen rajoissa.** Lataaminen virheellisesti tai ohjeiden vastaisessa lämpötilassa saattaa vaurioittaa akkuä ja lisätä palovaaraa.

## 6) HUOLTO

- a) **Anna koulutettujen ammattihenkilöiden korjata sähkötyökäluä ja hyväksy korjauksiin vain alkuperäisiä varaosia.** Täten varmistat, että sähkötyökäluä säilyy turvallisena.
- b) **Älä missään tapauksessa yritä itse korjata vaurioituneita akkuä.** Akkuä saa korjata vain valmistaja tai valtuutettu huoltopiste.

## PINSSALEIKKUKUJEN TURVALLISUUS VAROITUKSET

- a) **Älä käytä pensasleikkuria huonossa säässä, erityisesti ukonilman aikana. Tämä vähentää salamaiskun riskiä.**
- b) **Pidä kaikki virtajohdot ja kaapelit poissa leikkausalueelta. Virtajohdot tai kaapelit voivat olla piilossa pensassa tai puissa ja voivat vahingossa katketa terällä.**
- c) **Käytä kuulosuojaimia. Riittävä suojavarustus vähentää kuulon menettämisen riskiä.**
- d) **Pidä pensasleikkurista vain eristetyistä kahvoista, koska terä voi osua piilossa oleviin johtoihin. Terän osuessa jännitteiseen johtoon pensasleikkurin paljaat metalliosat voivat tulla jännitteisiksi ja aiheuttaa käyttäjälle sähköiskun.**
- e) **Pidä kaikki kehon osat poissa terästä. Älä poista leikattua materiaalia tai pidä leikattavasta materiaalista, kun terät liikkuvat. Terät jatkavat liikettään kytkimen sammuttamisen jälkeenkin. Hetken huolimattomuus pensasleikkuria käytettäessä voi johtaa vakavaan henkilövahinkoon.**
- f) **Poistaessa tukkeutunutta materiaalia tai huoltaessa pensasleikkuria varmistat, että kaikki virtakytkimet ovat pois päältä ja akkupaketti on poistettu tai irrotettu. Odottamaton**

*pensasleikkurin käynnistyminen tukkeutuneen materiaalin poistamisen tai huoltamisen aikana voi johtaa vakavaan henkilövahinkoon.*

- g) **Kuljeta pensasleikkuria kahvasta terän ollessa pysähdyksissä ja varmista, ettet käytä mitään virtakytintä.** *Pensasleikkurin asianmukainen käsittely vähentää tahattoman käynnistyksen riskiä ja sitä kautta terien aiheuttamia henkilövahinkoja.*
- h) **Käytä aina teräsuojaa pensasleikkuria kuljetettaessa ja säilytettäessä.** *Pensasleikkurin asianmukainen käsittely vähentää terien aiheuttaman henkilövahingon riskiä.*
- i) **Tarkista pensaat ja pensaat vieraiden esineiden varalta, kuten lankaverkot ja piilossa oleva johdotus.**
- j) **Pidä pensasleikkuria oikein, esimerkiksi molemmilla käsillä, jos kaksi kahvaa on tarjolla.**
- k) **Pensasleikkuria on tarkoitettu käytettäväksi maanpinnalla eikä tikkailla tai millään muulla epävakaalla alustalla.**
- l) **Ennen pensasleikkurin käyttöä käyttäjän tulisi varmistaa, että kaikkien liikkuvien osien (esim. jatkettu akseli ja nivelelementti) lukituslaitteet, jos sellaisia on, ovat lukitussa asennossa.**
- m) **Huolla säädettäviä pysäytysmekanismeja säännöllisin väliajoin.**
- n) **Älä nosta tai kannata pensasleikkuria käyttäen vain yhtä kahvaa.**

## AKUN TURVAOHJEET

- a) **Älä pura, avaa tai revi nappiparistoja tai akkua.**
- b) **Älä aiheuta akkuun oikosulkuja. Älä säilytä akkuja sattumanvaraisesti laatikossa tai kaapissa, jossa ne voivat joutua oikosulkuun toistensa tai muiden metalliesineiden kanssa.** Kun akku ei ole käytössä, pidä se kaukana muista metalliesineistä, kuten paperiliittimistä, kolikoista, avaimista, nauloista, ruuveista tai muista pienistä metalliesineistä, jotka voivat muodostaa yhteyden päätteiden välille. Akkujen päätteiden yhteiset oikosulut voivat aiheuttaa palovammoja tai tulipalon.
- c) **Älä altista akkua kuumuudelle tai tullelle. Älä säilytä sitä suorassa auringonvalossa.**
- d) **Älä kohdista akkuun mekaanisia iskuja**
- e) **Jos paristo vuotaa, älä päästä nestettä kosketuksiin ihon tai silmien kanssa. Jos näin käy, huuhtele kosketusalue runsaalla vedellä ja hakeudu lääkärin hoitoon**
- f) **Pidä akku puhtaana ja kuivana.**
- g) **Pyyhi akun päätteet puhtaalla, kuivalla liinalla, jos ne ovat likaantuneet.**
- h) **Akku on ladattava ennen käyttöä. Käytä aina oikeaa laturia ja oikeita latausmenetelmiä.**
- i) **Älä jätä akkua ladattavaksi pitkään, jos sitä ei käytetä.**
- j) **Pitkän varastointiajan jälkeen voi olla välttämätöntä ladata ja purkaa akku useita kertoja maksimaalisen suorituskyvyn saavuttamiseksi.**
- k) **Lataa vain Kress in määrittelemällä laturilla. Älä käytä mitään muuta kuin laitteen**

### toimitukseen

**kuuluvaa laturia.** Laturi, joka sopii yhteen akkuun voi aiheuttaa tulipalon vaaran, jos sitä käytetään toisenlaisessa akussa.

- l) **Älä käytä mitään akkua, jota ei ole suunniteltu käytettäväksi kyseisissä laitteissa.**
- m) **Pidä akku lasten ulottumattomissa.**
- n) **Säilytä tuotteen alkuperäiset asiakirjat tulevaa käyttöä varten.**
- o) **Poista akku laitteesta, kun laitetta ei käytetä.**
- p) **Hävitä käytetty akku oikein.**
- q) **Älä sekoita laitteeseen eri valmistuksen, kapasiteetin, koon tai tyypin paristoja.**
- r) **Pidä akku pois mikroaaltojen ja korkean paineen vaikutusalueelta.**
- s) **Advarese! Brug ikke ikke-genopladelige batterier.**


## LANGATTOMAN TUOTTEEN KÄYTTÖOPPAAN VAATIMUKSET

- a) Tämän laitteen käyttö edellyttää seuraavia kahta ehtoa:
  - (1) Tämä laite ei saa aiheuttaa haitallisia häiriöitä, ja
  - (2) tämän laitteen on hyväksyttävä kaikki vastaanotetut häiriöt, mukaan lukien häiriöt, jotka voivat aiheuttaa ei-toivottua toimintaa.
- b) Varoitus: Muutokset tähän laitteeseen, joita vaatimustenmukaisuudesta vastaava taho ei ole nimenomaisesti hyväksynyt, voivat mitätöidä käyttäjän oikeuden käyttää laitetta.
- c) HUOMAA: Tämä laite tuottaa, käyttää ja voi säteillä radiotaajuusenergiaa, ja jos sitä ei asenneta ja käytetä ohjeiden mukaisesti, se voi aiheuttaa haitallisia häiriöitä radioviestintään. Ei kuitenkaan ole mitään takeita siitä, ettei häiriöitä esiinny. Jos tämä laite aiheuttaa haitallisia häiriöitä radio- tai televisiovastaanotossa, mikä voidaan todeta kytkemällä laite pois päältä ja päälle, käyttäjää kehoitetaan yrittämään korjata häiriöt yhdellä tai useammalla seuraavista toimenpiteistä:
  - Suuntaa vastaanottoantenni uudelleen tai siirrä se muualle.
  - Lisää laitteen ja vastaanottimen välistä etäisyyttä.
  - Kytke laite pistorasiaan, jonka virtapiiri on eri kuin se, johon vastaanotin on kytketty.
  - Kysy apua jälleenmyyjältä tai kokeneelta radio-/tv-tekniikalta.

## SYMBOLIT

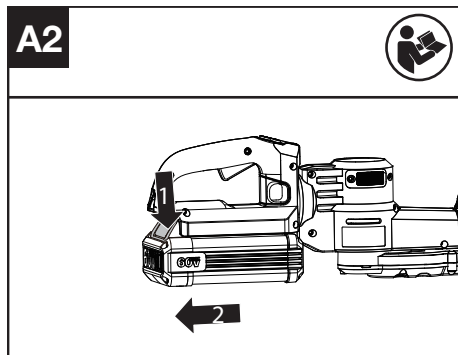
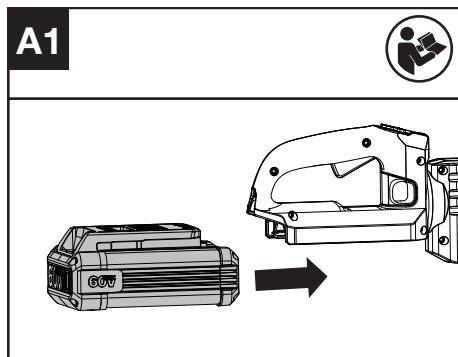
|   |  |
|---|--|
|             | Loukkaantumisriskin vähentämiseksi käyttäjän on luettava käyttöohjeet.   |
|             | VAROITUS   |
|             | Käytä silmäsuojaimia   |
|             | Käytä korvasuojaimia   |
|             | Käytä pölynaamaria   |
|             | Pidä kädet loitolla terästä  |
|             | Käytä suojakäsineitä   |
|             | Älä hävitä tulessa   |
|             | Akkujen sisältö voi joutua veden kiertoon, jos ne hävitetään virheellisesti. Älä hävitä akkuja lajittelemattomana kotitalousjätteenä.  |
| <br>Li-Ion | Litiumioniakku Tämä tuote on merkitty symbolilla, joka liittyy kaikkien akkujen ja akkujen "erilliseen keräämiseen". Sitten se kierrätetään tai poistetaan ympäristövaikutusten vähentämiseksi. Akku saattaa olla haitallista ympäristölle ja ihmisten terveydelle, koska se sisältää haitallisia aineita. |
|           | Romutettuja sähkölaitteita ei saa heittää pois talousjätteen mukana. Toimita ne kierrätyspisteeseen. Lisätietoja kierrätyksestä saa paikallisilta viranomaisilta tai jälleenmyyjältä.  |
|           | Irrota akku pistorasiasta ennen minkään säädön, huollon tai huollon suorittamista.   |

## ASENNUS & OPERAATIO

 **HUOM:** Lue ohjekirja huolellisesti ennen työkalun käyttöä.

 **ENNEN KÄYTTÖÄ:**

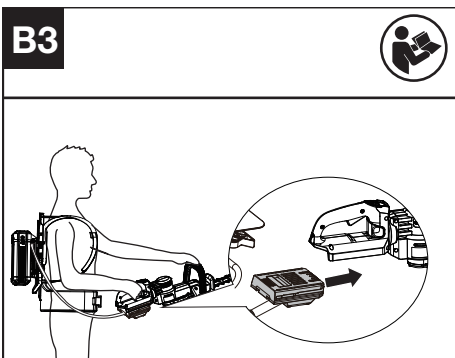
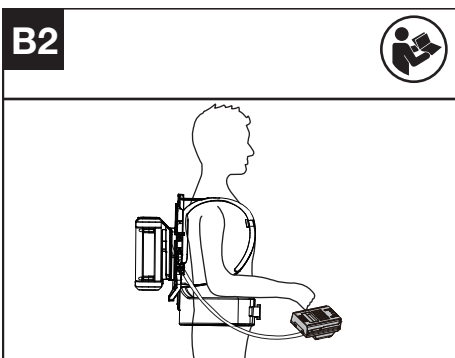
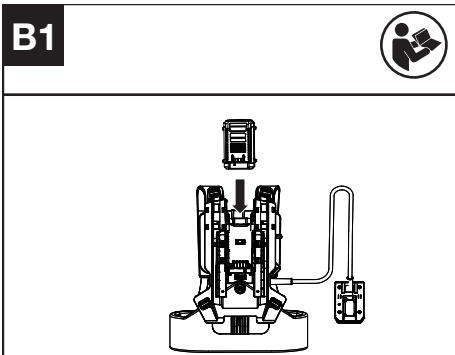
**Akkuyksikön asentaminen ja irrottaminen (Ks. kuva A1,A2)**



1. Liu'uta akkuyksikköä niin pitkälle akkulokeroon, että kuulet naksahduksen.
2. Vapauta akkuyksikkö työkalusta painamalla akun vapautuspainiketta.

**Kytchentä reppuvaljaisiin (ks. kuva B1,B2,B3)**

Asenna akkuyksikkö reppuvaljaisiin ja liitä sitten valjaat koneeseen. Laita reppuvaljaat päälle. Lisätietoja on reppuvaljaiden käyttöohjeessa.



## Trimmerin Ja Akun Testaaminen (ks. kuva C)

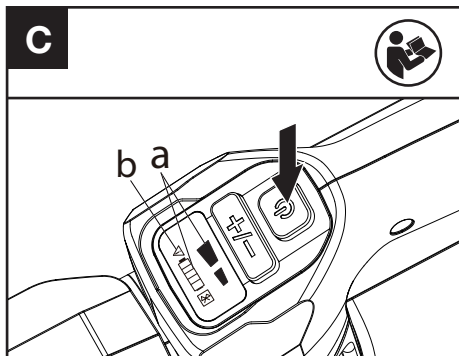
### Hallintalaitteiden tarkistaminen Etukytkinvipu ja takakytkinvipu

1. Irrota akku.
2. Paina ja vapauta etukytkinvipu ja takakytkinvipu. Jos takakytkinvipu tai etukytkinvipu on jumissa eikä pääse ponnahtamaan takaisin alkuperäiseen asentoonsa. Lopeta leikkurin käyttö ja ota yhteys huoltoliikkeeseen.

### Näytön tarkistaminen

1. Asenna akku paikalleen.

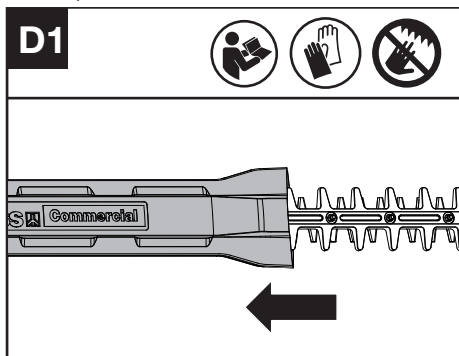
2. Paina ja pidä On/Off-virtakytkintä painettuna. Tuote on päällä, kun LED (a) palaa. Tuote on pois päältä, kun LED (a) ei pala.
3. Käynnistä kone painamalla ensin käyttäjän läsnäolokytkintä ja paina sitten kaasuliipaisinta. Trimmerin pää pyörii.
4. Jos varoitusvalo (b) syttyy tai vilkkuu, katso ratkaisut kohdasta Vianmääritys.
5. Vapauta kaasuliipaisin. Trimmerin pyörivä pää pysähtyy lyhyen viiveen jälkeen. Jos trimmerin pää jatkaa pyörimistä, irrota akku ja ota yhteys huoltoedustajaan.



## KÄYTTÖ:

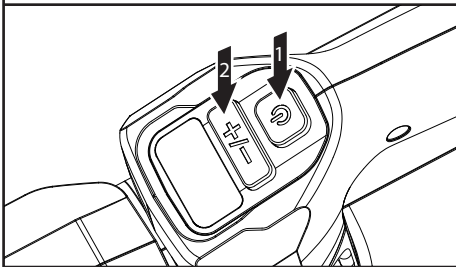
### Käynnistäminen ja pysäyttäminen

Käytön alussa poista ensin ochráné pouzdro. (ks. kuva D1)

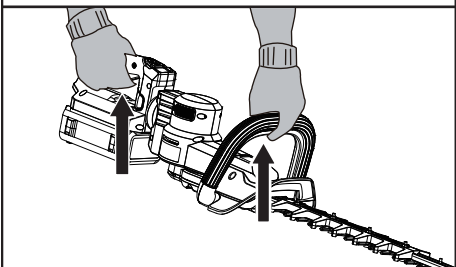


### Nopeuden valitseminen

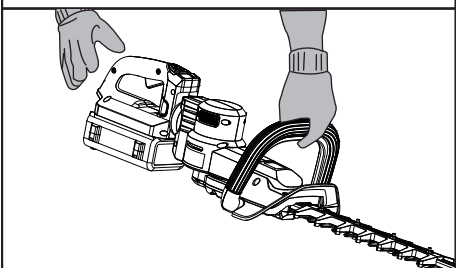
1. Paina virtakytkintä.
2. Valitse haluamasi nopeus painamalla nopeudensäätöpainiketta (katso kuva D2)

**D2**

Käynnistä painamalla etukytkinvipua ja takakytkinvipua. (Katso kuva D3)

**D3**

Vapauta takakytkinvipua ja etukytkinvipua pysäyttääksesi laitteen. (Katso kuva D4)

**D4**

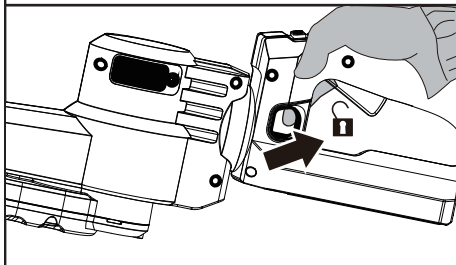
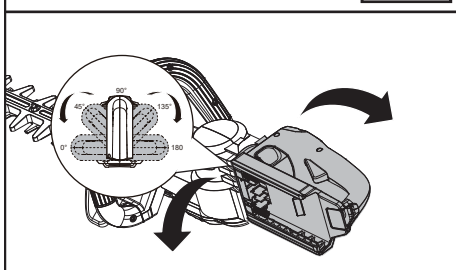
Kun laitetta ei käytetä, sammuta pensasleikkuri ja irrota akku tai irrota se reppuvaljaista.

**Kääntyvä takakahva (ks. kuvat F1 ja E1, E2)**

**HUOM:** Avaa lukituskytkimen lukitus ennen kääntämistä. Kun kahva on käännetty haluttuun asentoon, säädä sitä hieman, kunnes kuuluu naksahdus.



**VAROITUS:** Varmista aina ennen käyttöä, että kahva on lukittu haluttuun asentoon. Varmista aina, että lukituskytkin on lukittu ennen pensasleikkurin käynnistämistä. Älä käännä kahvaa, kun leikkuria käytetään.

**E1****E2**

## Pensasleikkurin käyttö

Ennen kuin leikkaat aluetta, tarkista se ensin ja poista kaikki vieraat esineet, jotka voivat lentää pois tai takertua teriin. Pidä leikkuria aina molemmin käsin ja terä pois päin itsestäsi, ennen kuin kytket sen päälle.

Kun leikkaat uutta kasvustoa, pyyhkäise laitteella leveästi, jotta kasvuston varret kulkeutuvat suoraan terään.

Anna leikkuuterien saavuttaa täysi nopeus ennen leikkaamista. Pidä leikkuuterät käytön aikana etäällä ihmisistä ja esineistä, kuten seinistä, suurista kivistä, puista, ajoneuvoista jne.

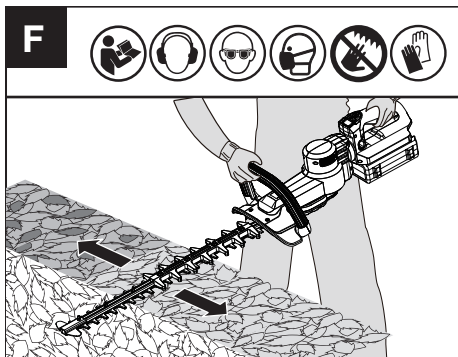
Jos terä pysähtyy, pysäytä trimmeri välittömästi. Vapauta kaksi kytkinvipua ennen kuin yrität poistaa juuttuneita roskia leikkuuteristä.

Käytä käsiineitä leikatessasi piikkisiä kasveja. Älä yritä leikata kasvuston varsia, jotka ovat liian paksuja leikkuuterälle.

## Leikkaus ylhäältä (ks. kuva F)

Käytä leveää pyyhkäisevää liikettä. Paras leikkaustulos saadaan, kun leikkuuterät kallistetaan hieman alaspäin liikesuunnassa.

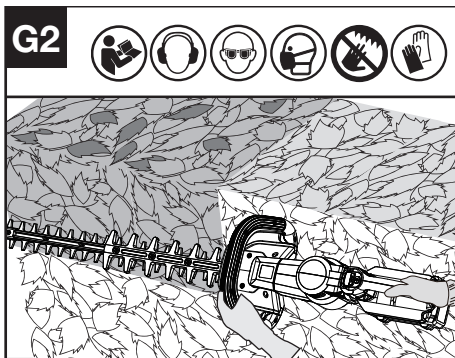
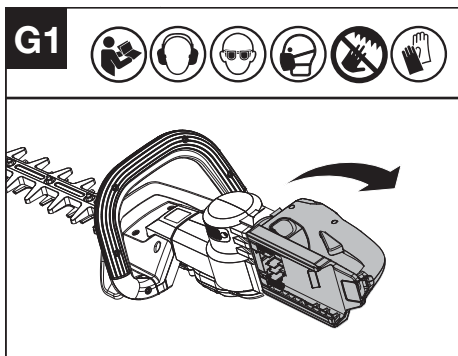
**VAROITUS:** Jos osia puuttuu tai ne ovat vaurioituneet tai rikki, älä käytä pensasleikkuria, ennen kuin kaikki vaurioituneet osat on vaihdettu tai korjattu. Jos tätä ei noudateta, seurauksena voi olla vakava henkilövahinko. **DO ÄLÄ KÄYTÄ ILMAN ETUKAHVAA JA TURVASUOJUSTA.**



### Leikkaus sivulta (Katso kuvat G1, G2)

Kun leikkaat pensasaidan sivuja, aloita alareunasta ja leikkaa ylöspäin, jolloin pensasaita kapenee ylhäältä sisäänpäin. Tämä muoto paljastaa suuremman osan pensasaidasta, mikä johtaa tasaisempaan kasvuun.

**VAROITUS:** Lopeta leikkurin käyttö ennen kahvan kääntämistä.



## KULJETUS

### Trimmerin kuljettaminen

1. Sammuta trimmeri ja irrota akku.
2. Kun kuljetat trimmeriä käsin, pidä kiinni varren keskiosasta leikkuupää taaksepäin ja varmista, että kone on samansuuntaisessa asennossa maanpinnan kanssa.
3. Kun kuljetat trimmeriäsi ajoneuvossa, kiinnitä ja sijoita se siten, että se ei liiku tai vahingoitu.

### Akun kuljettaminen

1. Varmista, että akku on turvallisessa kunnossa.
2. Käytä akkua kuljetettaessa ei-johtavaa pakkausta.
3. Sisältyviin litiumioniakkuihin sovelletaan vaarallisia aineita koskevaa lainsäädäntöä. Kuljeta akkuja vain, jos akkukotelo on vahingoittumaton. Pakkaa akut niin, että ne eivät pääse liikkumaan pakkauksessa.

## HUOLTOTOIMENPITEET

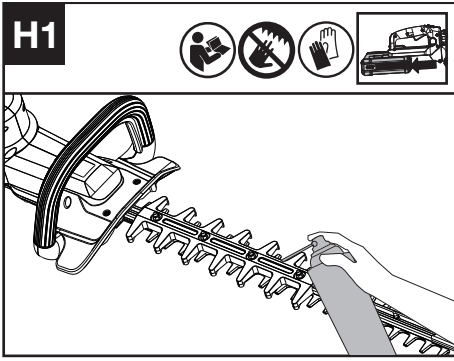
**VAROITUS!** Irrota akku aina ennen trimmerin huoltotoimenpiteitä.

**Irrota akku pensasleikkurista ennen säätö-, huolto- tai kunnossapitotöitä.**

Sähkötyökalussa ei ole osia, joita käyttäjä voi huoltaa. Älä koskaan käytä vettä tai kemiallisia puhdistusaineita sähkötyökalun puhdistamiseen. Pyyhi puhtaaksi kuivalla liinalla. Säilytä sähkötyökalua aina kuivassa paikassa. Pidä moottorin tuuletusaukot puhtaina. Pidä kaikki hallintalaitteet pölyttöminä.

### Leikkuuterän voitelu (Ks. kuva H1)

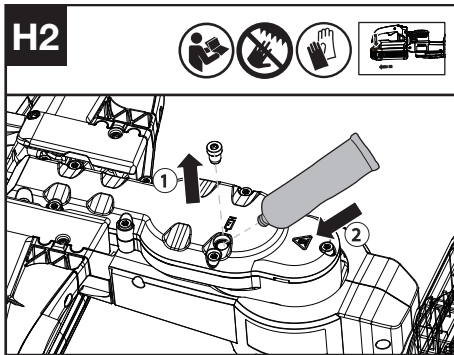
**HUOM:** On tärkeää käyttää vain suositeltua voiteluöljyä (esim. WD-40) terän vaurioitumisen välttämiseksi.



## Vaihteiston voitelu (ks. kuvat H2)

Irrota tulppa vaihdekotelosta. Voitele vaihdekotelo öljyaukon kautta 50 käyttötunnin välein. Irrota vaihdelaatikon kannen ruuvit ja irrota kansi. Voitelu 300 käyttötunnin välein

**HUOM:** Voitele pensasleikkurin vaihdekotelo varvalla parhaan toiminnan ja pidemmän käyttöiän varmistamiseksi. (SHELL Gadus S2 V220 1).



## Teroittaminen

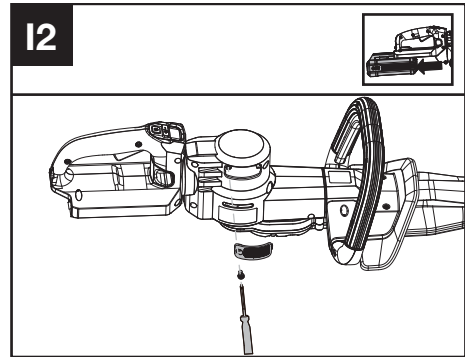
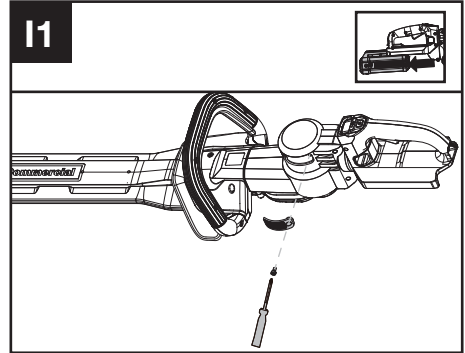
**VAROITUS:** Älä käytä konetta tylsillä tai vaurioituneilla leikkuuterillä, sillä se aiheuttaa ylikuormitusta ja huonon suorituskyvyn. Kun leikkuuteho alkaa heikentyä, vie terä teroitettavaksi ammattilaiselle. Käytä aina suojakäsineitä käsitellessäsi leikkurin terää, ja teroita vain terän leikkaavaa reunaa.

Teroita vain terän leikkaava reunaa. Älä hio leikkuuterän tai sen suojuksen tylppiä ulkonevia osia. Käytä hiomakiveä poistaaksesi metalliroskat leikkuureunasta. Puhdista pöly terästä teroituksen jälkeen turvallisella tavalla.

## Ilmansuodattimen puhdistaminen (Katso kuvat I1, I2)

1. Puhdista alue ilmansuodattimen ympäriltä. Käytä kosteaa liinaa tai pehmeää harjaa.
2. Irrota ja poista ilmansuodatin.

3. Pese ilmansuodatin juoksevilla vedellä lian poistamiseksi.
4. Anna ilmansuodattimen kuivua ilmassa. Asenna se sitten takaisin koteloon kiristämällä ruuvia.



## PUHDISTUS

1. Sammuta trimmeri ja irrota akku.
2. Älä käytä aggressiivisia pesuaineita tai liuottimia. Puhdista kone käytön jälkeen kostealla liinalla, joka on kastettu miettoon pesuaineeseen.
3. Pidä akkuliitintä vapaana liasta ja roskista, ja puhdista pehmeällä ja kuivalla harjalla tai liinalla.
4. Älä suihkuta vettä moottorin ja sähkökomponenttien päälle.
5. Älä käytä painepesuria koneen puhdistamiseen.

## SÄILYTYS

1. Irrota akkuyksikkö trimmeristä ennen säilömistä.
2. Säilö trimmeri ja akku kuivaan ja turvalliseen paikkaan, johon lapset ja muut luvattomat henkilöt eivät pääse käsiksi. Irrota leikkuuväline, jos sitä ei käytetä pitkään aikaan.
3. Säilytä akkua vain 5 °C:n (41 °F) ja 25 °C:n (77 °F) välisellä lämpötila-alueella. Älä esimerkiksi jätä akkua autoon kesäaikaan.
4. Jos laite kone ja akku kastuvat sateessa käytön aikana, ne tulee kuivata ennen varastointia tai

lataamista. Irrota akku ja aseta se takaisin, jos laite ei käynnisty.

## AKKUTYÖKALUILLE

Suosittelava ympäristön lämpötila-alue akun tyhjentymiselle on (-20 °C~45 °C).  
Suositeltava ympäristön lämpötila-alue latausjärjestelmälle latauksen ajaksi on (-5 °C~45 °C).

## VIANETSINTÄ

Seuraavassa taulukossa esitetään ongelmia ja toimenpiteitä, joita voit suorittaa, jos koneesi ei toimi oikein.



**VAROITUS: Sammuta kone ja irrota akku ennen vianetsinnän suorittamista.**

### TRIMMERI

| Ongelmat                       | Mahdolliset syyt                            | Korjaavat toimenpiteet  |
|--------------------------------|---|---|
| Akun LED-merkkivalo vilkkuu    | Akun lataustaso on alhainen.                | Lataa akku.   |
| Punainen LED-virhevalo vilkkuu | Ylikuormitus.                               | Leikkuuväline on jumittunut. Deaktivoi tuote. Irrota akku. Puhdista leikkuväline ei-toivotuista materiaaleista. |
|                                | Lämpötilaongelma.                           | Anna tuotteen jäähtyä.  |
|                                | Muut ongelmat                               | Ota yhteyttä huoltoedustajaan   |
| Laite ei käynnisty             | Roskaa akun liittimissä.                    | Puhdista akun liittimet paineilmalla tai pehmeällä harjalla.  |
|                                | Muut ongelmat                               | Ota yhteyttä huoltoedustajaan.  |
| Trimmeri toimii ajoittain      | Akkua ei ole asetettu kokonaan laitteeseen. | Asenna akku kokonaan paikalleen.  |
|                                | Mahdollinen sähköongelma.                   | Ota yhteyttä huoltoedustajaan.  |
| Liiallinen tärinä/melu.        | Leikkuuvälineen ongelma. Kone on viallinen. | Vaihda leikkuuväline. Ota yhteyttä huoltoedustajaan.  |

### AKKU

| Ongelmat            | Mahdolliset syyt  | Korjaavat toimenpiteet  |
|---------------------|-------------------|---|
| LED-virhevalo palaa | Akku on tyhjä     | Lataa akku. Jos akku ei lataudu, ota yhteys huoltoedustajaan.   |
|                     | Lämpötilaongelma. | Käytä akkua ympäristössä, jossa lämpötila on latauksen aikana -5 °C ~ 45 °C (23 °F ~ 113 °F) ja -20 °C ~ 45 °C (-4 °F ~ 113 °F) akun tyhjenemisen aikana. |
| Muut                |                   | Ota yhteyttä huoltoedustajaan.  |

## TEKNISET TIEDOT

Tyyppi: **KC201 KC201.X** (201- koneen nimitys, joka edustaa akkupensasleikkuria)

|                               | KC201 KC201.X**   | FIN |
|-------------------------------|-------------------|-----|
| Nimellisjännite               | 60 V  MAX ***     |     |
| Leikkausnopeus                | 4400/5000 SPM     |     |
| Terän pituus                  | 63 cm (25")       |     |
| Hampaiden väli                | 30 mm (1.18 inch) |     |
| IP-luokitus                   | IPX4              |     |
| Koneen paino (paljas työkalu) | 3.8 kg (8.3 lbs)  |     |

\*\*X = 1-999, A-Z, M1-M9 ovat vain eri asiakkaille, näiden mallien välillä ei ole turvallisuuteen liittyviä muutoksia.

\*\*\* Jännite mitattu ilman kuormitusta.

Aloitussakkujännite saavuttaa 60 voltin maksimin.

Nimellisjännite on 54 voltia.

## SUOSITELTUJA AKKUJA JA LATUREITA

| Akku                   | Kapasiteettia | Laturi | Ampeeriluku |
|------------------------|---------------|--------|-------------|
| KAC800                 | 4 Ah          | KAC840 | 30 A        |
| KAC810 (Reppuväljällä) | 11 Ah         |        |             |
| KA3000                 | 2.0 Ah        |        |             |

Suosittellemme lisävarusteiden ostamista samalta jälleenmyyjältä, jolta ostit työkalun. Katso lisätietoja lisävarusteiden pakkauksesta. Liikkeen henkilökunta voi auttaa ja neuvoa.

# AKKUYKSIKÖN TEKNISET TIEDOT (VALINNAINEN)

|                                |                 |
|--------------------------------|-----------------|
| Bluetooth-taajuusalueet        | 2400-2483.5 MHz |
| Bluetoothin suurin lähetysteho | 8 dBm           |

## MELUPÄÄSTÖT

|                         |                                |
|-------------------------|--------------------------------|
| A-painotettu äänenpaine | $L_{pA} = 87.48 \text{ dB(A)}$ |
| $K_{pA}$                | 3.0 dB(A)                      |
| A-painotettu ääniteho   | $L_{wA} = 95.48 \text{ dB(A)}$ |
| $K_{wA}$                | 0.97 dB(A)                     |

Käytä kuulosuojaimia.



## TÄRINÄTASOT

Tärinän kokonaisarvot (triaksivektorisumma) määritetään standardin EN 62841 mukaisesti:

|                                   |  |
|-----------------------------------|--|
| FIN Tyypillinen painotettu tärinä | Takana: $a_n = 2.42 \text{ m/s}^2$<br>Edessä: $a_n = 2.50 \text{ m/s}^2$ |
|                                   | Takana: $K = 1.5 \text{ m/s}^2$<br>Edessä: $K = 1.5 \text{ m/s}^2$       |

Ilmoitettu tärinän kokonaisarvo ja ilmoitettu melupäästöarvo on mitattu vakiotestausten menetelmän mukaisesti, ja niitä voidaan käyttää yhden työkalun vertaamiseen toiseen.

Ilmoitettua tärinän kokonaisarvoa ja ilmoitettua melupäästöarvoa voidaan käyttää myös altistumisen alustavassa arvioinnissa.

**VAROITUS:** Sähkötyökalun todellisen käytön aikaiset tärinä- ja melupäästöt voivat poiketa ilmoitetusta arvosta riippuen tavoista, joilla työkalua käytetään, erityisesti siitä, minkälaista työkalua käytetään käsittämään seuraavien esimerkkien ja muiden työkalun käyttötapaan liittyvien variaatioiden mukaisesti: Työkalun käyttötapa ja leikattavat tai porattavat materiaalit.

Työkalu on hyvässä kunnossa ja hyvin huollettu.

Työkalun oikean lisävarusteen käyttö ja sen varmistaminen, että se on terävä ja hyvässä kunnossa.

Kahvojen otteen tiukkuus ja se, käytetäänkö tärinää ja melua ehkäiseviä lisävarusteita.

Työkalua käytetään sen suunnittelun ja näiden ohjeiden mukaisesti.

**Tämä työkalu voi aiheuttaa tärinänsairauden, jos sen käyttöä ei hallita asianmukaisesti.**

**VAROITUS:** Jotta altistumistason arvioiminen todellisissa käyttöolosuhteissa olisi tarkkaa, siinä olisi otettava huomioon myös kaikki käyttöjakson osat, kuten ajat, jolloin työkalu on pois päältä, ja ajat,

jolloin se on tyhjäkäynnillä, mutta ei varsinaisesti tee työtä. Tämä voi vähentää altistumistasoa merkittävästi koko työjakson aikana.

Auttaa minimoimaan tärinä- ja melu-altistumisriskin.

Käytä aina teräviä talttoja, poria ja teriä.

Huolla tätä työkalua näiden ohjeiden mukaisesti ja pidä se hyvin voideltuna (tarvittaessa).

Jos työkalua käytetään säännöllisesti, investoi tärinää ja melua ehkäiseviin lisävarusteisiin.

Suunnittele työaikataulusi niin, että tärkeiden työkalujen käyttö jakautuu useammalle päivälle.

## YMPÄRISTÖNSUOJELU

Elektroniikkaromua ei saa hävittää kotitalousjätteen mukana. Toimita elektroniikkaromu asianmukaisiin keräyspisteisiin. Kysy kierätysohjeita paikallisviranomaisilta tai jälleenmyyjältä.

## VAATIMUSTENMUKAISUUSVAKUUTUS

Me,  
Positec Germany GmbH  
Postfach 680194, 50704 Cologne, Germany

Ilmoita, että tuote,  
Selostus **Akkukäyttöinen pensasleikkuri**  
Type **KC201 KC201.X (201-koneen käyttötarkoitus, pensasleikkuri)**  
Function **Trimming hedges and brushes**

Täyttää seuraavien direktiivien määräykset:  
**2006/42/EC, 2014/30/EU, 2011/65/EU&(EU)2015/863, 2000/14/EC ja sen lisäys 2005/88/EC**

2000/14/EC:ja sen lisäys 2005/88/EC:

- Yhdenmukaisuuden arviointi perusteilla: Liite V
- Mitattu äänenvoimakkuuden taso 95.48 dB (A)
- Ilmoitettu taattu äänenvoimakkuuden taso 96.45 dB (A)

Yhdenmukaiset standardit  
**EN 62841-1, EN 62841-4-2, EN ISO 3744, EN IEC 55014-1, EN IEC 55014-2, EN IEC 63000**

Henkilö valtuutettu laatimaan tekninen tiedosto,  
**Nimi Marcel Filz**  
**Osoite Positec Germany GmbH**  
**Postfach 680194, 50704 Cologne, Germany**



2024/06/19

Allen Ding

Apulais Pääinsinööri, testaus ja sertifiointi  
Positec Technology (China) Co., Ltd  
18, Dongwang Road, Suzhou Industrial  
Park, Jiangsu 215123, P. R. China

# INNHOLDFORTEGNELSE

|                        |     |
|------------------------|-----|
| Introduksjon.....      | 215 |
| Komponentliste.....    | 216 |
| Produktsikkerhet.....  | 217 |
| Montering og bruk..... | 220 |
| Transportation.....    | 223 |
| Vedlikehold.....       | 223 |
| Rengjøring.....        | 224 |
| Lagring.....           | 224 |
| Feilsøking.....        | 224 |
| Tekniske data.....     | 225 |
| Miljøverntiltak.....   | 226 |
| Samsvarserklæring..... | 226 |

NOR

## INTRODUKSJON

Kjære kunde,

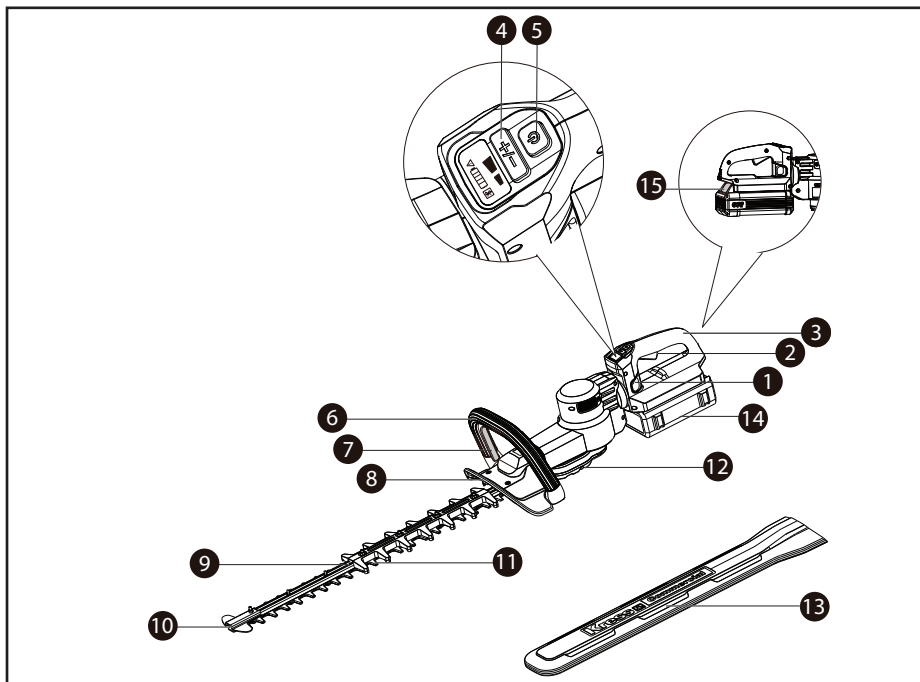
Takk for at du kjøpte dette Kress Commercial-produktet. Vi er dedikerte innen utvikling av høykvalitetsprodukter som møter dine behov for kommersiell landsskapsarkitektur.

Kress-merket er synonymt med førsteklasses service. Hvis du har spørsmål eller bekymringer angående produktet gjennom produktets levetid, bes du kontakte forhandleren din eller vårt kundeserviceteam for å få hjelp.

Vi er sikre på at du vil ha glede av å bruke Kress-produktet ditt i mange år fremover.

## FORMÅLSMESSIG BRUK

Maskinen er bestemt for klipping og trimming av hekker og busker ved lett og tung kommersiell bruk.



NOR

## APPARATELEMENTER

- |     |   |
|-----|---|
| 1.  | LÅSEBRYTER FOR ROTERENDE BAKRE HÅNDTAK              |
| 2.  | GASSBRYTER  |
| 3.  | ROTERENDE BAKHÅNDTAK                                |
| 4.  | FARTSKONTROLL                                       |
| 5.  | AV/PÅ-BRYTER  |
| 6.  | FRONTHÅNDTAK  |
| 7.  | BRYTER FOR OPERATØRNÆRVÆR (ALLROUND-BRYTERFUNKSJON) |
| 8.  | SIKKERHETSVAKT                                      |
| 9.  | KNIV  |
| 10. | TUPPBESKYTTER                                       |
| 11. | BAKRE BLADVERN                                      |
| 12. | GIRKASSE AV METALL                                  |
| 13. | KNIVBESKYTTER                                       |
| 14. | BATTERIPAKKE *                                      |
| 15. | KNAPP FOR BATTERIFRIGJØRING                         |

\* Ikke alt illustrert eller beskrevet tilbehør inngår i leveransen.

# ORIGINAL DRIFTSINSTRUKS PRODUKTSIKKERHET GENERELLE ADVARSLER FOR ELEKTROVERKTØY



**ADVARSEL** Les alle sikkerhetsanvisningene, instruksjonene, illustrasjonene og spesifikasjonene som følger med dette elektroverktøyet. Manglende overholdelse av anvisningene nedenfor kan medføre elektrisk støt, brann og/eller alvorlige personskader.

**Ta godt vare på alle advarslene og informasjonene.**

Det nedenstående anvendte uttrykket "elektroverktøy" gjelder for strømndrevne (med ledning) og batteridrevne elektroverktøy (uten ledning).

## 1) SIKKERHET PÅ ARBEIDSPLASSEN

- a) **Hold arbeidsområdet rent og ryddig.** Rotete arbeidsområder eller arbeidsområder uten lys kan føre til ulykker.
- b) **Ikke arbeid med elektroverktøyet i eksplosjonsutsatte omgivelser – der det befinner seg brennbare væsker, gass eller støv.** Elektroverktøy lager gnister som kan antenne støv eller damper.
- c) **Hold barn og andre personer unna når elektroverktøyet brukes.** Hvis du blir forstyrret under arbeidet, kan du miste kontrollen over elektroverktøyet.

## 2) ELEKTRISK SIKKERHET

- a) **Støpselet til elektroverktøyet må passe inn i stikkkontakten. Støpselet må ikke forandres på noen som helst måte. Ikke bruk adapterstøpsler sammen med jordede maskiner.** Bruk av støpsler som ikke er forandret på og passende stikkontakter reduserer risikoen for elektriske støt.
- b) **Unngå kroppskontakt med jordede overflater slik som rør, ovner, komfyrer og kjøleskap.** Det er større fare ved elektriske støt hvis kroppen din er jordat.
- c) **Ikke bruk maskinen i regn eller under våte forhold. Det kan øke risikoen for elektrisk støt.** Etter at maskinen og batteriet er blitt våte i regn under drift, anbefales det at de tørkes for lagring eller lading. Hvis maskinen ikke kan slås på, ta ut batteriet og sett det inn igjen. Hold batteriforbindelsen fri for skitt og smuss, og rengjør den med en myk og tørr børste eller klut.
- d) **Ikke bruk ledningen til andre formål, f.eks. til å bære elektroverktøyet, henge den opp eller trekke den ut av stikkkontakten. Hold ledningen unna varme, olje, skarpe kanter eller maskindeler som beveger seg.** Med skadede eller opphopede ledninger øker risikoen for elektriske støt.
- e) **Når du arbeider utendørs med et elektroverktøy, må du kun bruke en**

skjøteledning som er godkjent til utendørs bruk. Når du bruker en skjøteledning som er egnet for utendørs bruk, reduseres risikoen for elektriske støt.

- f) **Hvis det ikke kan unngås å bruke elektroverktøyet i fuktige omgivelser, må du bruke en jordfeilbryter.** Bruk av en jordfeilbryter reduserer risikoen for elektriske støt.
- ## 3) PERSONSIKKERHET
- a) **Vær oppmerksom, pass på hva du gjør, gå fornuftig frem når du arbeider med et elektroverktøy. Ikke bruk elektroverktøyet når du er trett eller er påvirket av narkotika, alkohol eller medikamenter.** Et øyeblikks uoppmerksomhet ved bruk av elektroverktøyet kan føre til alvorlige skader.
  - b) **Bruk personlig verneutstyr og husk alltid å bruke vernebriller.** Bruk av personlig sikkerhetsutstyr som støvmaske, sklifaste arbeidssko, hjelm eller hørselvern – avhengig av type og bruk av elektroverktøyet – reduserer risikoen for skader.
  - c) **Unngå å starte verktøyet ved en feiltagelse. Forviss deg om at elektroverktøyet er slått av før du kobler det til strømmen og/eller batteriet, løfter det opp eller bærer det.** Hvis du holder fingeren på bryteren når du bærer elektroverktøyet eller kobler elektroverktøyet til strømmen i innkoblet tilstand, kan dette føre til uhell.
  - d) **Fjern innstillingsverktøy eller skrunøkler før du slår på elektroverktøyet.** Et verktøy eller en nøkkel som befinner seg i en roterende maskindel, kan føre til skader.
  - e) **Ikke overvurder deg selv. Sørg for å stå stødig og i balanse.** Dermed kan du kontrollere elektroverktøyet bedre i uventede situasjoner.
  - f) **Bruk alltid egnede klær. Ikke bruk vide klær eller smykker. Hold hår og klær unna deler som beveger seg.** Løstsittende tøy, smykker eller langt hår kan komme inn i deler som beveger seg.
  - g) **Hvis det kan monteres støvavsug- og oppsamlingsinnretninger, må du forvisse deg om at disse er tilkoblet og brukes på korrekt måte.** Bruk av et støvavsug reduserer faren på grunn av støv.
  - h) **Selv når du er blitt vant til verktøyet, må du ikke bli sløv og ignorere sikkerhetsreglene for verktøyet.** En uforsiktig handling kan forårsake alvorlig personskade i løpet av et brøkdels sekund.
- ## 4) AKTSOM HÅNDTERING OG BRUK AV ELEKTROVERKTØY
- a) **Ikke overbelast elektroverktøyet. Bruk et elektroverktøy som er beregnet til den type arbeid du vil utføre.** Med et passende elektroverktøy arbeider du bedre og sikrer i det angitte effektområdet.
  - b) **Ikke bruk elektroverktøy med defekt på-/avbryter.** Et elektroverktøy som ikke lenger kan

slås av eller på, er farlig og må repareres.

- c) **Trekk støpselet ut av stikkontakten og/eller fjern batteriet (hvis demonterbart) før du utfører innstillinger på elektroverktøyet, skifter tilbehørsdeler eller legger elektroverktøyet bort.** Disse tiltakene forhindrer en utilsiktet startung av elektroverktøyet.
- d) **Elektroverktøy som ikke er i bruk må oppbevares utilgjengelig for barn. Ikke la elektroverktøyet brukes av personer som ikke er fortrolig med dette eller ikke har lest disse anvisningene.** Elektroverktøy er farlige når de brukes av uerfarne personer.
- e) **Vær nøye med vedlikeholdet av elektroverktøyet og tilbehøret. Kontroller om bevegelige maskindeler fungerer feifritt og ikke klemmes fast, og om deler er brukket eller skadet, slik at dette innvirker på elektroverktøyets funksjon. La skadede deler repareres før elektroverktøyet brukes.** Dårlig vedlikeholdte elektroverktøy er årsaken til mange uhell.
- f) **Hold skjæreverktøyene skarpe og rene.** Godt stelte skjæreverktøy med skarpe skjær setter seg ikke så ofte fast og er lettere å føre.
- g) **Bruk elektroverktøy, tilbehør, verktøy osv. i henhold til disse anvisningene. Ta hensyn til arbeidsforholdene og arbeidet som skal utføres.** Bruk av elektroverktøy til andre formål enn det som er angitt kan føre til farlige situasjoner.
- h) **Hold håndtak og gripeflater tørre, rene og uten olje eller fett.** Glatte håndtak og gripeflater hindrer sikker håndtering og styring av verktøyet i uventede situasjoner.
- 5) **AKTSOM HÅNTERING OG BRUK AV BATTERIDREVNE VERKTØY**
- a) **Lad batteriet kun opp i ladeapparater som er anbefalt av produsenten.** Det oppstår brannfare hvis et ladeapparat som er egnet til en bestemt type batterier, brukes med andre batterier.
- b) **Bruk derfor kun riktig type batterier for elektroverktøyene.** Bruk av andre batterier kan medføre skader og brannfare.
- c) **Hold batteriet som ikke er i bruk unna binders, mynter, nøkler, spikre, skruer eller andre mindre metallgjenstander, som kan lage en forbindelse mellom kontaktene.** En kortslutning mellom batterikontaktene kan føre til forbrenninger eller brann.
- d) **Ved gal bruk kan det lekke væske ut av batteriet. Unngå kontakt med denne væsken.** Ved tilfeldig kontakt må det skylles med vann. Hvis det kommer væske i øynene, må du i tillegg oppsøke en lege. Batterivæske som renner ut kan føre til iritasjoner på huden eller forbrenninger.
- e) **Ikke bruk batteriet eller verktøyet hvis det er skadet eller modifisert.** Ødelagte eller modifiserte batterier kan oppføre seg uforutsigbart, noe som kan føre til brann,

eksplosjon eller fare for personskaade.

- f) **Ikke utsett batteriet eller verktøyet for åpen ild eller for høye temperaturer.** Eksponering for ild eller temperaturer over 130°C kan forårsake eksplosjon.
- g) **Følg alle ladeinstruksjoner, og ikke lad batteriet eller verktøyet utenfor temperaturområdet som er spesifisert i bruksanvisningen.** Feil lading eller lading ved temperaturområdet, kan skade batteriet og øke brannfaren.
- 6) **Service**
- a) **Maskinen din skal alltid kun repareres av kvalifisert fagpersonale og kun med originale reservedeler.** Slik opprettholdes elektroverktøyets sikkerhet.
- b) **Ikke utfør service på ødelagte batterier.** Service på batterier skal alltid utføres av produsenten eller godkjente forhandlere.

## VIKTIGE YTTERLIGERE SIKKERHETSANVISNINGER FOR DIN HEKKSAS

- a) **Bruk ikke hekktrimmeren under dårlige værforhold, spesielt dersom det er fare for lyn.** Dette reduserer risikoen for å bli truffet av lynet.
- b) **Hold alle strømledninger og kabler unna skjæreområdet.** Strømledninger eller kabler kan være skjult i hekker eller busker og kan ved et uhell bli kuttet av bladet.
- c) **Bruk hørselsvern.** Adekvat beskyttelsesutstyr vil redusere risikoen for hørselstap.
- d) **Hold verktøyet med en isolerende gripeoverflate når du utfører en operasjon der skjæreverktøyet kan komme i kontakt med skulte ledninger eller sin egen ledning.** Kontakt med en "levende" ledninger vil utsette metalldeleer til verktøyet og operatøren for støt.
- e) **Hold alle kroppsdeler borte fra skjærekniven. Ikke fjern uskåret materiale eller hold fast i ting som skal skjæres i mens skjærekniven er i bevegelse.** Knivene fortsetter å rotere etter at bryteren er slått av. Ett øyeblikk av uoppmerksomhet mens hekksaksen er på kan gi alvorlige personskaader.
- f) **Når du fjerner fastkilt materiale eller utfører service på enheten, må du sørge for at alle strømbrytere er slått av og at batteripakken er fjernet eller frakoplet.** Uventet aktivering av hekktrimmer når du fjerner fastkilt materiale eller service, kan føre til alvorlig personskaade.
- g) **Bær hekksaksen ved håndtaket når skjærekniven er stanset og pass på å ikke bruke strømbryteren.** Riktig håndtering av hekksaksen minsker muligheten for personskaader pga. skjærekniven.
- h) **Når du transporterer eller oppbevarer hekktrimmeren, må du alltid passe på beskyttelsesdekslet.** Korrekt håndtering av hekktrimmeren reduserer risikoen for

personskade fra skjæreknivene.

- i) Sjekk hekken for fremmedlegemer, f.eks gjerdeståltråd og skjulte kabler.
- j) Hold hekktrimmeren ordentlig, f.eks med begge hender dersom det foreligger to håndtak.
- k) Hekktimmeren er ment å brukes av operatøren på bakkenivå og ikke på stiger eller annen ustabil støtte.
- l) Før du bruker hekktrimmeren bør brukeren sørge for at låseanordningen(e) for bevegelige elementer (dvs. aksjeforlengeren og det dreibare elementet), om noe, er i låseposisjon.
- m) Vedlikehold den justerbare stoppmekanisme med jevne mellomrom.
- n) Ikke løft eller bær hekksaksen ved hjelp av bare én håndtak.

## SIKKERHETSANVISNINGER FOR BATTERIPAKKE

- a) Ikke demonter, åpne eller riv opp sekundære celler eller batteripakker.
- b) Ikke kortslett en celle eller en batteripakke. Ikke oppbevar celler eller batteripakke løst i en boks eller skuff hvor de kan kortslette hverandre eller bli kortslettet av andre metallgjenstander. Når batteripakken ikke er i bruk skal den holdes adskilt fra andre metallgjenstander som binders, mynter, nøkler, spiker, skruer eller andre små metallobjekter. Kortslutning av batteriet kan forårsake skader eller brann.
- c) Ikke utsett celler eller batteripakke for varme eller ild. Unngå oppbevaring i direkte sollys.
- d) Ikke utsett celler eller batteripakke for mekanisk støt.
- e) Hvis du opplever cellelekkasje, ikke la væsken komme i kontakt med huden eller øynene. Dersom kontakt har oppstått, vask området med rikelige mengder vann og oppsøk medisinsk hjelp.
- f) Hold batteripakken ren og tørr.
- g) Tørk batteripakkekontaktene med en ren, tørr klut hvis de blir skitne.
- h) Batteripakken må lades før bruk. Bruk denne instruksjonen og korrekt ladeprosedyre.
- i) Ikke ha batteripakken til ladning når den ikke er i bruk.
- j) Etter en lang lagringsperiode kan det være nødvendig å lade og utlade batteripakken flere ganger for å oppnå maksimal ytelse.
- k) Bruk kun batterilader spesifisert av Kress. Bruk ikke andre ladere enn de som er levert for bruk med utstyret.
- l) Tikke bruk batteripakker som ikke er beregnet for bruk sammen med utstyret.
- m) Hold batteripakken utenfor barns rekkevidde.
- n) Ta vare på den originale bruksanvisningen for fremtidig bruk.
- o) Ta ut batteriene fra utstyret når det ikke er i

bruk.





- p) Kvitt deg med produktet på forsvarlig måte.
- q) Ikke bland batterier av forskjellig produksjon, kapasitet, størrelse eller type i enheten.
- r) Hold batteriet unna mikrobølger og høyt trykk.
- s) Advarsel! Ikke bruk ikke-oppladbare batterier.






## BRUKERHÅNDBOKSKRAV FOR TRÅDLØST PRODUKT

- a) Bruk av denne enheten er underlagt følgende betingelser:
  - (1) Denne enheten kan ikke forårsake skadelig interferens, og
  - (2) denne enheten må akseptere all interferens som mottas, inkludert interferens som kan forårsake uønsket drift.
- b) Forsiktig: Endringer eller modifikasjoner av denne enheten som ikke er uttrykkelig godkjent av parten som er ansvarlig for samsvar, kan ugyldiggjøre brukerens rett til å bruke utstyret.
- c) MERK: Dette utstyret genererer, bruker og kan utstråle radiofrekvensenergi, og hvis det ikke installeres og brukes i samsvar med instruksjonene, kan det forårsake skadelig interferens for radiokommunikasjon. Det er imidlertid ingen garanti for at interferens ikke vil oppstå i en bestemt installasjon. Hvis dette utstyret forårsaker skadelig interferens for radio- eller TV-mottak, noe som kan fastslås ved å slå utstyret av og på, oppfordres brukeren til å prøve å korrigere interferensen med ett eller flere av følgende tiltak:
  - Reorienter eller flytt mottakerantennen.
  - Øk avstanden mellom utstyret og mottakeren.
  - Koble utstyret til en stikkontakt på en annen krets enn den mottakeren er koblet til.
  - Konsulter forhandleren eller en erfaren radio/TV-tekniker for å få hjelp.

NOR

## SYMBOLER

|   |  |
|---|--|
|  | For å redusere risikoen for personskade, må brukeren lese instruksjonsveiledningen |
|  | ADVARSEL   |
|  | Bruk vernebriller  |
|  | Bruk hørselsvern   |

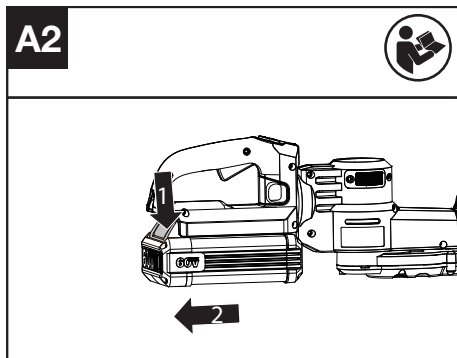
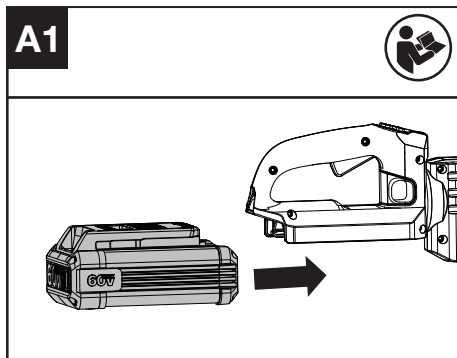
|  |  |
|--|--|
|             | Bruk støvmaske   |
|            | Hold hendene unna  |
|            | Bruk vernehansker  |
|            | Ikke brenn   |
|            | Batt Hvis det ikke håndteres riktig, kan batteriet komme inn i vannsyklusen, noe som kan forårsake skade på økosystemet. Ikke kast brukte batterier som usortert kommunalt avfall.   |
| <br>Li-Ion | Litium-ion-batteri. Dette produktet er merket med symbolet "samlet separat" med alle batteripakker og batteripakker. Du kan deretter resirkulere eller fjerne den for å redusere påvirkningen på miljøet. Batteripakken inneholder skadelige stoffer som kan være skadelige for miljøet og menneskers helse. |
|            | Avfall etter elektriske produkter må ikke legges sammen med husholdningsavfall. Vennligst resirkuler avfallet der dette finnes. Undersøk hos de lokale myndighetene eller en detaljist for resirkuleringsråd.  |
|          | Ta ut batteriene før justering, service eller vedlikehold utføres.   |

## MONTERING OG BRUK

 **Merk:** Les nøye gjennom instruksjonsboka før du bruker verktøyet.

 **FØR DU BRUKER:**

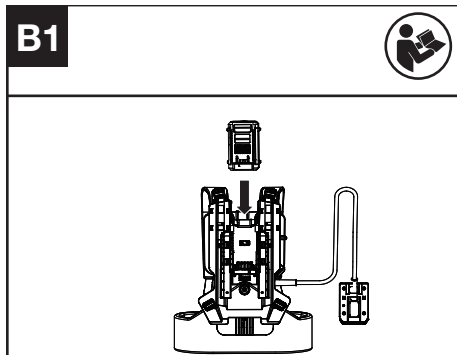
**Fjerning eller installering av batteripakke**  
(Se figur. A1,A2)

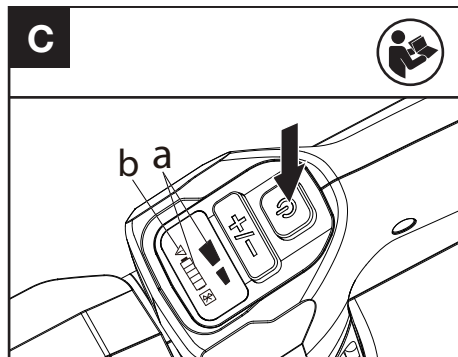
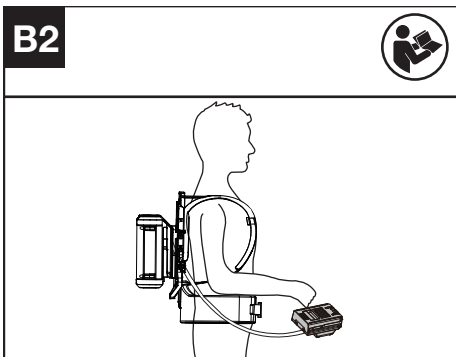


1. Skyv batteripakken inn i batterirommet til du hører eit klikk.
2. Trykk på knappen for batterifrigjøring for å frigjøre batteripakken fra verktøyet.

### Koble hekktrimmer til bæremeisens (Se figur. B1,B2,B3)

Sett batteripakken inn i bæremeisens og sett deretter støpslet i maskinen. Ta på deg bæremeisens. Flere detaljer finnes i håndboken for bæremeisens.

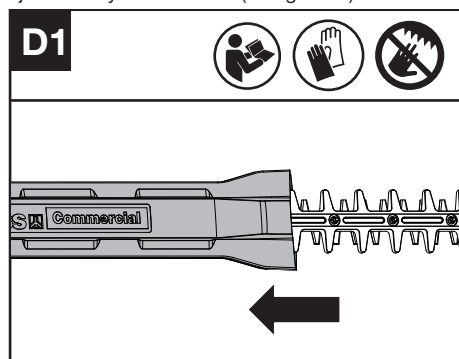




## BRUK

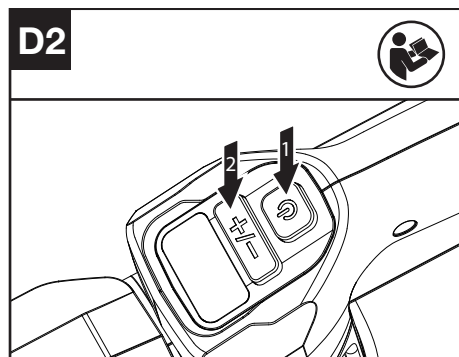
### Starte og stoppe

Fjern bladhylsen før bruk. (Se figur. D1)

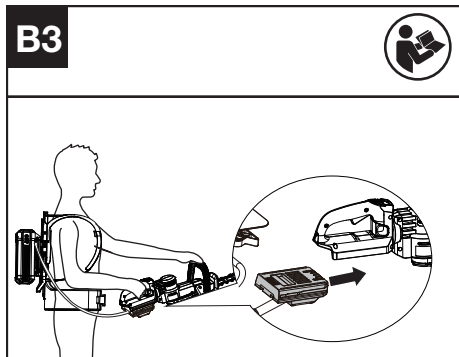


### Velge hastighet

1. Trykk på På/Av-bryteren.
2. Trykk på bryteren for farts kontroll for å velge den farten du må ha.(Se figur. D2)



Trykk på fremre bryterspak og bakre bryterspak for å starte. (Se figur. D3)



### Teste trimmer og batteri (Se figur. C)

#### Sjekk kontrollene

#### Framre og bakre bryterspak

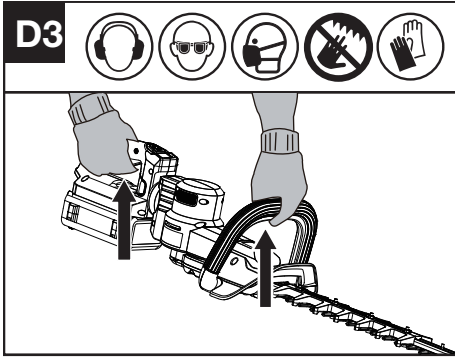
1. Fjern batteriet.
2. Trykk og frigjør fremre og bakre bryterspak. Hvis bakre eller fremre bryterspak sitter fast og ikke kan gå tilbake til sin opprinnelige posisjon. Slutt å bruke trimmeren og kontakt serviceagenten.

#### Sjekk displayet

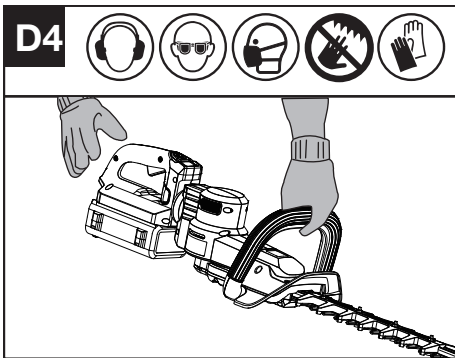
1. Sett inn batteriet.
2. Hold og trykk på På/Av-bryteren. Produktet er slått på når LED (a) lyser. Produktet er slått av når LED (a) sluker.
3. Hvis varselindikator(b) lyser eller blinker, se

#### Problemløsning for løsninger.

4. Trykk på fremre bryterspak og trykk så på bakre bryterspak for å starte maskinen.
5. Frigjør bakre bryterspak. Trimmeren stopper. Hvis trimmeren ikke kan stoppe, fjern batteriet og kontakt serviceagenten.



Slipp bakre bryter og fremre bryter for å stoppe. (Se figur. D4)

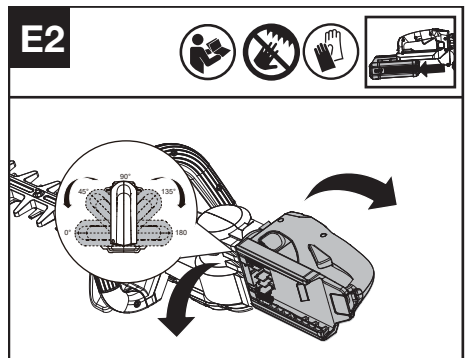
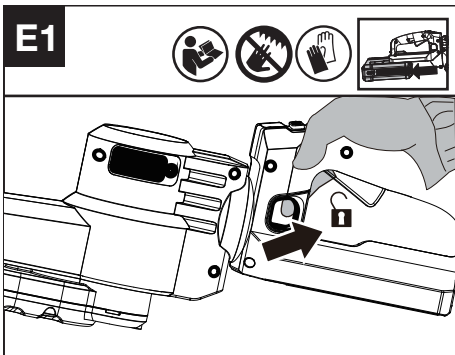


Når maskinen ikke er i bruk, må du slå av hekktrimmeren og løse den fra bæremeisen.

### Roterende bakhåndtak (Se figur. E1, E2)

**MERK:** Lås opp låsebryteren før rotering. Etter at håndtaket er rotert til den ønskede posisjonen, juster det inntil du hører et klikk.

**⚠ ADVARSEL:** Sørg alltid for at håndtaket er rotert til den ønskede posisjonen før bruk. Sørg alltid for at låsebryteren er låst før du starter hekksaksen. Ikke roter håndtaket mens saksen er i bruk.



### Hvordan bruke hekksaksen

Før du beskjærer et område må du først undersøke det og fjerne alle ting som kan kastes bort eller komme i knivene. Hold alltid hekksaksen med begge hender og med kniven bort fra deg før du starter den.

Når du beskjærer nyvekst kan du bruke en bred, feiende bevegelse som lar knivtennene spise seg gjennom kvistene.

La kniven komme opp i full hastighet før du starter beskjæringen. Når maskinen er på må du holde skjærekniven borte fra mennesker og ting slik som murer, store stener, trær, kjøretøy osv.

Hvis kniven stanser opp må du slå av hekksaksen umiddelbart. Slipp opp begge bryterhåndtaken før du forsøker å fjerne noe som har satt seg fast i skjærekniven.

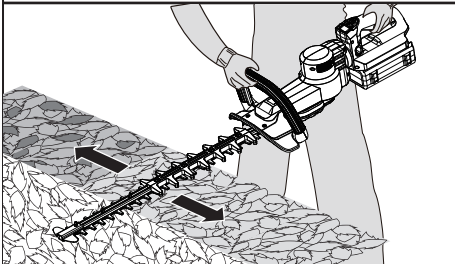
Ha på arbeidshansker når du beskjærer vekster med thornar o.l.

Ikke forsøk å skjære over grener som er for tykke for skjærekniven.

### Toppbeskjæring (Se figur. F)

Bruk en bred, feiende bevegelse. Å la kniven bikke litt nedover i bevegelsesretningen gir de beste beskjæringsresultatene.

**⚠ ADVARSEL:** Hvis noen deler mangler, er skadet eller ødelagt må du ikke bruke hekksaksen før alle slike deler er skiftet ut eller reparert. Unnlattelse av å gjøre dette kan føre til alvorlig personskade. **IKKE BRUK PRODUKTET UTEN Å MONTERE BESKYTTEREN OG FRONTHÅNDTAKET.**

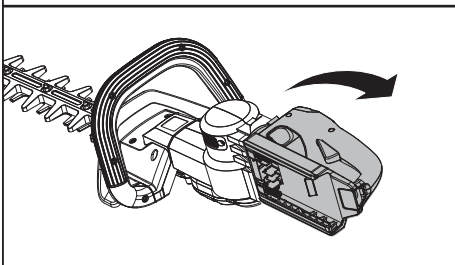
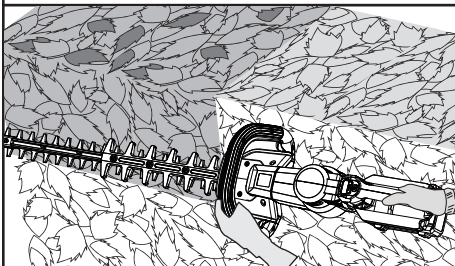
**F**

### Sidebeskjæring (Se figur. G1, G2)

Når du beskærer siden på hekken bør du starte nedenfra og skjære oppover, slik at hekken blir smalere innover mot toppen. Denne formen vil eksponere mer av hekken slik at veksten blir jevner.



**ADVARSEL:** Avslutt bruken av saksen før du roterer håndtaket.

**G1****G2**

## TRANSPORT

### Transportere trimmeren

1. Slå av trimmeren og ta ut batteriet.
2. Når du transporterer trimmeren for hånd, hold midt på skaftet med klippehodet vendt bakover og pass på at maskinen er parallell med bakken.
3. Når du transporterer trimmeren i et kjøretøy, må du feste, sikre og posisjonere den for å forhindre bevegelse eller skade.

### Transportere batteriet

1. Sørg for at batteriet er i sikker stand.
2. Bruk ikke-ledende emballasje når du transporterer batteriet.
3. Innholdet av Li-Ion-batterier er underlagt kravene i lov om farlig gods.  
Transporter batterier kun når batterikammeret er uskadet. Pakk batteriene inn på en slik måte at de ikke kan forflytte seg i emballasjen.

## VEDLIKEHOLD



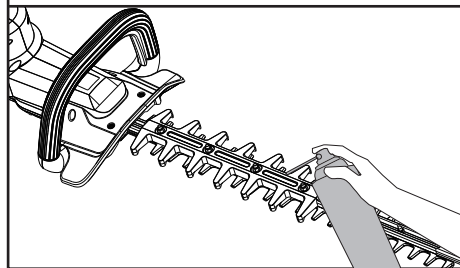
**ADVARSEL!** Fjern alltid batteriet før du utfører vedlikehold på trimmeren.

### Ta ut batteriene før justering, service eller vedlikehold utføres.

Det er ingen brukernyttige deler i det elektriske verktøyet. Bruk aldri vann eller kjemiske rensedmidler for å rense verktøyet. Tørk av med en tørr klut. Du må alltid lagre verktøyet på en tørr plass. Hold alltid motorens ventilasjonskanaler rene. Hold alle betjeningskontrollene fri for støv.

### Å smøre skjærekniven (Se figur. H1)

**MERK:** Det er viktig å bare bruke den anbefalte standard smøreoljen (WD-40) slik at bladet ikke blir skadet.

**H1**

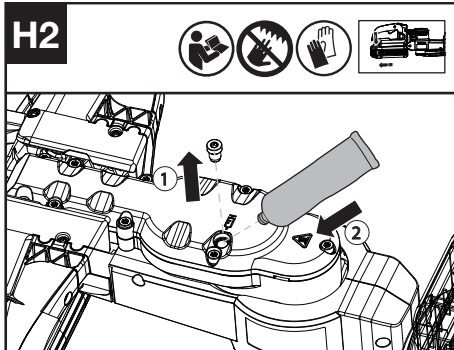
### Smøring av giraksen (Se figur. H2)

Fjern skrupluggen fra giraksen. Smøring av giraksen gjennom oljehullet etter hver 50. driftstime.  
Fjern skruene fra girkassedekselet, og ta av

NOR

dekslet. Smøring etter hver 300 driftstime.

**MERK:** For best bruk og lengre levetid, smør hekktrimmerens girkasse med fett (SHELL Gadus S2 V220 1).



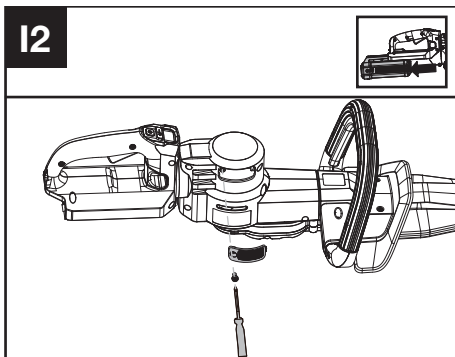
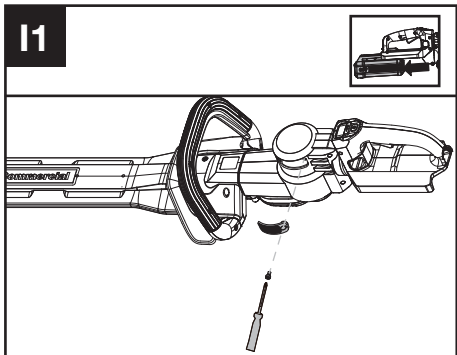
## SKJERPING

**⚠ ADVARSEL:** Ikke bruk maskinen med kjedelige eller skadde skjæreblad, som fører til overbelastning og utilfredsstillende ytelse. Når skjæreytelsen begynner å bli dårligere, vennligst slip/bryn bladet. Når skjæreytelsen er i ferd med å bli dårlig, må du få bladet slipt av en fagmann. Bruk alltid vernehansker når du håndterer trimmerbladet og slip bare trimmarbladet.

Slip/bryn kun eggen. Ikke slip/bryn utstikkende deler av skjærebladet eller beskyttelsen. Bruk et bryne for å fjerne graden fra skjæret. Rengjør støvet fra klingene etter sliping/bryning.

## Rengjøre luftfilteret (Se figur. I1, I2)

1. Rengjør området rundt luftfilteret. Bruk en fuktig klut eller en myk børste.
2. Skru av og fjern luftfilteret.
3. Vask luftfilteret med rennende vann for å fjerne smuss.
4. La luftfilteret tørke i lufta. Installer det deretter på nytt i kammeret ved å stramme skruen



## RENGJØRING

1. Slå av trimmeren og ta ut batteriet.
2. Bruk ikke aggressive vaskemidler eller løsemidler. Rengjør maskinen etter bruk med en fuktig klut dyppet i et mildt vaskemiddel.
3. Hold batteritilkoblingen fri for fremmedlegemer, og rengjør koblingen med en myk og tørr børste eller klut.
4. Ikke spray vann på motoren og elektriske komponenter.
5. Ikke rengjør maskinen med et trykkvaskeaggregat.

## OPPBEVARING

1. Fjern batteripakken fra trimmeren før lagring.
2. Lagre trimmeren på et tørt og sikkert sted som er utilgjengelig for barn og andre uvedkommende.
3. Lagre batteriet kun innenfor et temperaturområde mellom 5°C (41°F) og 25°C (77°F). La for eksempel ikke batteriet ligge i en bil på sommeren.
4. Etter at maskinen og batteriet er blitt våte i regn under drift, anbefales det at de tørkes før lagring eller lading. Hvis maskinen ikke kan slås på, ta ut batteriet og sett det inn igjen.

## FOR BATTERIVERKTØY

Den anbefalte omgivelsestemperaturområdet for utlading er -20°C~45°C(-4°F~113°F).

Anbefalt omgivelsestemperatur for ladesystemet under lading er -5°C~45°C (23°F~113°F).

## FEILSØKING

Følgende tabell viser problemstillinger og handlinger du kan utføre hvis maskinen ikke fungerer normalt.



**ADVARSEL:** Slå av maskinen og fjern batteriet før feilsøking.

**TRIMMER**


| Problemer                     | Mulige årsaker                                   | Korrigerende tiltak   |
|-------------------------------|--|---|
| Batteriindikator-LED blinker  | Lav batterispenning.                             | Lad batteriet.  |
| Rød feil-LED blinker          | Overbelastning.                                  | Skjæreredskapen sitter fast – deaktivert produktet. Fjern batteriet. Rengjør skjæreredskapen for uønsket materiale. |
|                               | Temperaturproblem.                               | La produktet kjøle seg ned.   |
|                               | Andre problemer                                  | Kontakt serviceagent  |
| Produktet starter ikke        | Smuss i batterikontaktene.                       | Rengjør batterikontaktene med trykkluft eller en myk børste.  |
|                               | Andre problemer                                  | Kontakt serviceagent.   |
| Trimmeren fungerer i perioder | Batteriet er ikke ordentlig satt inn i maskinen. | Sett batteriet ordentlig inn.   |
|                               | Mulig elektrisk problem.                         | Kontakt serviceagent.   |
| Mye vibrasjoner/støy.         | Mye vibrasjoner/støy.                            | Bytt ut skjæreredskapen. Kontakt serviceagent.  |

## BATTERI

| Problemer      | Mulige årsaker       | Korrigerende tiltak  |
|----------------|----------------------|--|
| Feil-LED lyser | Batteriet er utladet | Lad batteriet. Hvis batteriet ikke lar seg lade, kontakt serviceagent.   |
|                | Temperaturproblem.   | Bruk batteriet i omgivelser der temperaturen er mellom -5°C og 45°C (23°F til 113°F) ved lading; -20°C til 45°C (-4°F til 113°F) ved utlading. |
|                | Annet                | Kontakt serviceagenten din.  |

## TEKNISKE DATA

Type: **KC201 KC201.X (201- Betegnelse på maskineri, representativ for hekktrimmeren)**

|                     | KC201 KC201.X**  |
|---------------------|--|
| Spenning            | 60 V  MAX *** |
| Kuttehastighet      | 4400/5000 SPM  |
| Bladlengde          | 63 cm (25")  |
| Tannavstand         | 30 mm (1.18 inch)  |
| Grad av beskyttelse | IPX4   |
| Vekt (Bare verktøy) | 3.8 kg (8.3 lbs)   |

\*\* X = 1-999, A-Z, M1-M9 er kun for forskjellige kunder, det er ingen sikkerhetsrelaterte endringer mellom disse modellene.

\*\*\* Spenning målt uten arbeidsbyrde. Innledende batterispenning når maksimalt 60 volt. Nominell spenning er 54 volt.

## FORESLÅTTE BATTERIER OG LADERE

| Batteri                           | Kapasitet | Lader  | Amperage |
|-----------------------------------|-----------|--------|----------|
| KAC800                            | 4 Ah      | KAC840 | 30 A     |
| KAC810 (Med seler for ryggbæring) | 11 Ah     |        |          |
| KA3000                            | 2.0 Ah    |        |          |

Vi anbefaler at du kjøper tilbehøret fra den samme forhandleren som solgte deg verktøyet. Se tilbehøremballasjen for mer informasjon. Din forhandler kan hjelpe deg og gi råd.

## TEKNISKE DATA FOR BATTERIPAKKE (VALGFRITT)

|                                       |                 |
|---------------------------------------|-----------------|
| Frekvensbånd for Bluetooth            | 2400-2483.5 MHz |
| Maksimal overført kraft for Bluetooth | 8 dBm           |

## STØYINFORMASJON

|                      |                                |
|----------------------|--------------------------------|
| Belastning lydtrykk  | $L_{pA} = 87.48 \text{ dB(A)}$ |
| $K_{pA}$             | 3.0 dB(A)                      |
| Belastning lydeffekt | $L_{wA} = 95.48 \text{ dB(A)}$ |
| $K_{wA}$             | 0.97 dB(A)                     |



## VIBRASJONS INFORMASJON

Totale vibrasjonsverdier satt i henhold til EN 62841:

|                             |  |
|-----------------------------|--|
| Vanlig belastningsvibrasjon | Bak: $a_h = 2.42 \text{ m/s}^2$<br>Foran: $a_h = 2.50 \text{ m/s}^2$ |
| Usikkerhet                  | Bak: $K = 1.5 \text{ m/s}^2$<br>Foran: $K = 1.5 \text{ m/s}^2$       |

Den oppgitte totale vibrasjonsverdien og den oppgitte støtutslippsverdien er målt i henhold til en standard testmetode og kan brukes for sammenligning av et verktøy med et annet.

Den oppgitte totale vibrasjonsverdien og den oppgitte støtutslippsverdien kan også brukes i en innledende eksponeringsvurdering.



**ADVARSEL:** Vibrasjons- og støynivå under faktisk bruk av verktøyet kan avvike fra oppgitt verdi, avhengig av hvordan verktøyet brukes og hvilken type materiale det brukes på, se følgende eksempler og andre variasjoner for bruk av verktøyet: Hvordan verktøyet brukes og hvilke materialer som kappes eller bores.

Verktøyet er i god stand og godt vedlikeholdt. Bruk av riktig tilbehør for verktøyet, og sørg for at det er skarpt og i god stand.

Hvor stramt grepet på håndtakene er, og om det brukes antivibrasjonstilbehør.

Og at verktøyet blir brukt til det formålet det er tilsiktet i henhold til designet og disse instruksjonene.

**Dette verktøyet kan forårsake hånd-arm vibrasjonssyndrom, hvis det ikke brukes riktig.**



**ADVARSEL:** For å være nøyaktig, bør også et overslag over eksponeringsnivå under faktiske bruksforhold også tas med i betraktning i alle deler av driftssyklusen, slik som når verktøyet er skrudd av og når det går på tomgang, men ikke faktisk gjør jobben. Dette kan redusere eksponeringsnivået betraktelig over hele arbeidsperioden.

Minimere eksponeringsrisiko for vibrasjon og støy.

Bruk ALLTID skarpe meisler, drillere og blad.

Vedlikehold verktøyet i henhold til disse instruksjonene og sørg for at det er godt smurt (der det er hensiktsmessig).

Invester i tilbehør for demping av vibrasjon og støy hvis verktøyet skal brukes regelmessig.

Planlegg arbeidstidplanen din slik at du sprer bruk av høyvibrasjonsverktøy utover flere dager.

## MILJØVERNILTAK



Avfall etter elektriske produkter må ikke legges sammen med husholdningsavfall. Vennligst resirkuler avfallet der dette finnes. Undersøk hos de lokale myndighetene eller en detaljist for resirkuleringsråd.

## SAMSVARERKLÆRING

VI,  
Positec Germany GmbH  
Postfach 680194, 50704 Cologne, Germany

På vegne av Positec erklær at produktet  
Beskrivelse **Batteridrevet hekketrimmer**  
Type **KC201 KC201.X (201-Benevelse på på maskinere, representativ for hekketrimmeren)**  
Funksjoner **Trimme hekker og busker**

Samsvarer med følgende direktiver,  
**2006/42/EC, 2014/30/EU, 2011/65/EU&(EU)2015/863, 2000/14/EC revidert ved 2005/88/EC**

2000/14/EC revidert ved 2005/88/EC:

- Tilpassningsbedømmelse Utført ifølge Anneks V 95.48 dB (A)
- Målt Lydkraftnivå
- Erklært Garantert Lydkraftnivå 96.45 dB (A)

Standardene samsvarer med  
**EN 62841-1, EN 62841-4-2, EN ISO 3744, EN IEC 55014-1, EN IEC 55014-2, EN IEC 63000**

Personen som er autorisert til å utarbeide den tekniske filen,

**Navn Marcel Filz**  
**Adresse Positec Germany GmbH**  
**Postfach 680194, 50704 Cologne, Germany**



2024/06/19

Allen Ding  
Visesjefingeniør, Testing og Sertifisering  
Positec Technology (China) Co., Ltd  
18, Dongwang Road, Suzhou Industrial  
Park, Jiangsu 215123, P. R. China

# INNEHÅLLSFÖRTECKNING

|                                      |     |
|--------------------------------------|-----|
| Introduktion.....                    | 227 |
| Komponenter.....                     | 228 |
| Produktsäkerhet.....                 | 229 |
| Montering och drift.....             | 232 |
| Transportation.....                  | 235 |
| Underhåll.....                       | 235 |
| Rengöring.....                       | 236 |
| Förvaring.....                       | 236 |
| Felsökning.....                      | 236 |
| Tekniska data.....                   | 237 |
| Miljöskydd.....                      | 238 |
| Deklaration om överensstämmelse..... | 238 |

sv

## INTRODUKTION

Bästa kund,

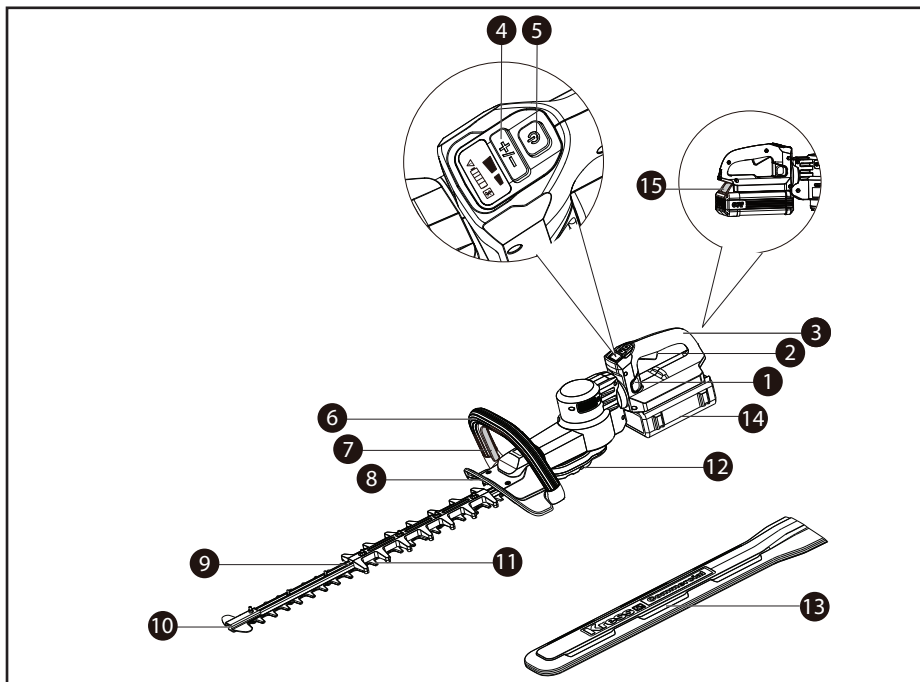
Tack för ditt köp av denna produkt från Kress Commercial. Vi är engagerade i vår strävan att utveckla produkter av hög kvalitet som uppfyller kraven för din kommersiella trädgårdsanläggning.

Kress som varumärke är synonymt med förstklassig service. Skulle du ha några frågor eller funderingar om din produkts livslängd, kan du kontakta din återförsäljare eller vårt kundtjänstteam för hjälp.

Vi är övertygade om att du kommer att trivas med att arbeta med din produkt från Kress i många år framöver.

## DRIFT INSTRUKTIONER

Maskinen är avsedd för att klippa och trimma häckar och buskar i lätt och tung kommersiell användning.



## KOMPONENTER

- |     |  |
|-----|--|
| 1.  | LÅSOMKOPPLARE FÖR ROTATION AV BAKRE HANDTAG              |
| 2.  | GASREGLAGET  |
| 3.  | ROTERT BAKRE HANDTAG                                     |
| 4.  | KNAPP FÖR HASTIGHETSREGLERING                            |
| 5.  | STRÖMBRYTARE PÅ/AV                                       |
| 6.  | FRÄMRE HANDTAG   |
| 7.  | OPERATÖRS SÄKERHETSKONTAKT (MÅNGSIDIG SÄKERHETSFUNKTION) |
| 8.  | SÄKERHETSVAKT  |
| 9.  | BLAD   |
| 10. | TIPSSKYDD  |
| 11. | BAKRE BLADSKYDD  |
| 12. | VÄXELLÅDA AV METALL                                      |
| 13. | BLADSYLT   |
| 14. | BATTERIPAKET *   |
| 15. | BATTERIETS FRIGÖRINGSKNAPP                               |

\* Alla tillbehör beskrivna eller avbildade nedan medföljer inte standardprodukten.

# BRUKSANVISNING I ORIGINAL SÄKERHETSVARNINGAR GENERELLA SÄKERHETS- VARNINGAR FÖR ELVERK- TYG



**WARNING:** Läs alla säkerhetsföreskrifter, instruktioner, illustrationer och specifikationer som följer med detta elverktyg. *Underlåtelse att följa instruktionerna nedan kan leda till elstöt, brand och/eller allvarlig skada.*

**Spara alla varningar och instruktioner för framtida bruk.**

*Begreppet Elverktyg hänför sig till nätdrivna elverktyg (med nätsladd) och till batteridrivna elverktyg (sladdlösa).*

## 1) ARBETSOMRÅDET

- a) **Håll ditt arbetsområde rent och väl upplyst.** Ostädade och mörka areor ökar olycksrisken.
- b) **Använd inte elverktyget i explosionsfarliga omgivningar när det t.ex. finns brännbara vätskor, gaser eller damm.** Elverktygen alstrar gnistor som kan antända dammet eller gaserna.
- c) **Håll under arbetet med elverktyget barn och obehöriga personer på betryggande avstånd.** Om du störs av obehöriga personer kan du förlora kontrollen över elverktyget.

## 2) ELSÄKERHET

- a) **Elverktygets stickpropp måste passa till vägguttaget. Stickproppen får absolut inte förändras.** Använd inte adapterkontakter tillsammans med skyddsjordade elverktyg. Oförändrade stickproppar och passande vägguttag reducerar risken för elstöt.
- b) **Undvik kroppskontakt med jordade ytor som rör, element, spisar och kylskåp.** Det finns en större risk för elstötar om din kropp är jordad.
- c) **Använd inte maskinen i regn eller under våta förhållanden. Detta kan öka risken för elektriska stötar.** När maskinen blivit blöt i regnet under drift bör maskinen och batteriet torkas före förvaring eller laddning. Ta ur batteriet och sätt tillbaka det om maskinen inte kan slås på. Håll batterianslutningen fri från smuts och skräp och rengör med en mjuk och torr borste eller trasa.
- d) **Missbruka inte nätsladden. Använd inte nätsladden för att bära eller hänga upp elverktyget och inte heller för att dra stickproppen ur vägguttaget.** Skadade eller tilltrasslade ledningar ökar risken för elstöt.
- e) **När du arbetar med ett elverktyg utomhus använd endast förlängningssladdar som är avsedda för utomhusbruk.** Om en lämplig förlängningssladd för utomhusbruk används minskar risken för elstöt.
- f) **Om det inte går att undvika att driva ett elverktyg i en fuktig lokal, använd**

**då en restströmsskyddad (RCD) strömtillförselanordning.** Användning av en RCD minskar risken för elektriska stötar.

## 3) PERSONLIG SÄKERHET

- a) **Var uppmärksam, håll ögonen på vad du gör och använd sunt förnuft när du använder ett strömförande verktyg. Använd inte ett strömförande verktyg när du är trött eller påverkad av droger, alkohol eller läkemedel.** En kort stund av ouppmärksamhet med strömförande verktyg kan resultera i allvarliga personskador.
  - b) **Använd säker utrustning. Använd alltid skyddsglasögon.** Säkerhetsutrustning som munskydd, halkfria skor, skyddshjälm eller hörselskydd som används när det behövs kommer att reducera personskador.
  - c) **Förhindra ofrivillig start. Se till att kontakten är i off-läge innan du ansluter till strömkälla och/eller batterienhet, tar upp eller bär med dig verktyget.** Bär du strömförande verktyg med fingret på kontakten eller sätter i stötkontakten i eluttaget när kontakten är i PÅ-läge utgör det en skaderisk.
  - d) **Ta bort alla skiftnycklar eller skruvnycklar innan du sätter på det strömförande verktyget.** En skift - eller skruvnyckel som lämnas kvar på en roterande del på ett strömförande verktyg kan orsaka personskador.
  - e) **Sträck dig inte för långt. Bibehåll alltid fotfästet och balansen.** Detta gör att du kan kontrollera verktyget bättre i oväntade situationer.
  - f) **Klä dig rätt. Använd inte löst sittande kläder eller smycken.** Håll ditt hår och dina kläder borta från rörliga delar. Lösa kläder, smycket eller långt hår kan snärjas in i rörliga delar.
  - g) **Om det på enheterna finns anslutning för dammsug och dammuppsamling ser du till att de är anslutna och används korrekt.** Använder du dessa anordningar reducerar det dammrelaterade faror.
  - h) **Låt inte förtrogenhet, tack vare frekvent användning av verktyget, lura dig att känna dig för trygg med det och därmed ignorera säkerhetsföreskrifterna.** En vårdslös handling kan orsaka allvarlig skada inom loppet av en sekund.
- ## 4. KORREKT ANVÄNDNING OCH HANTERING AV ELVERKTYG
- a) **Överbelasta inte elverktyget. Använd rätt elverktyg för det jobb du tänker göra.** Med ett lämpligt elverktyg kan du arbeta bättre och säkrare inom angivet effektområde.
  - b) **Använd inte verktyget om kontakten inte sätter pí eller stänger av det.** Alla strömförande verktyg som inte kan kontrolleras med kontakten är farliga och måste repareras.
  - c) **Koppla från stötkontakten från strömkällan och/eller batterienheten från elverktyget innan du utför några justeringar, ändrar i tillbehören eller magasinerar elverktygen.**

Sådana förebyggande säkerhetsåtgärder reducerar risken för att du startar verktyget oavsiktligt.

- d) **Förvara verktyget som inte används utom räckhåll för barn och låt inte någon person använda verktyget som inte känner till verktyget eller dessa anvisningar.** Strömförande verktyg är farliga i händerna på utbildade användare.
- e) **Håll koll på elverktyget och tillbehören. Kontrollera inriktningen eller fästet för rörliga delar, defekta delar och alla andra saker som kan påverka användningen av elverktyget. Om den skadats måste elverktyget repareras före användning.** Många olyckor orsakas av felaktigt underhållna elverktyg.
- f) **Håll sågverktyget skarpa och rena.** Korrekt underhållna skärverktyg med skarpa egg kommer inte att köra fast lika ofta och är enklare att kontrollera.
- g) **Använd elverktyget, tillbehören och verktygsbiten etc. i enlighet med dessa anvisningar och på det sätt som avses för varje typ av elverktyg. Ha också i åtanke arbetsförhållandena och arbetet som skall utföras.** Använder du elverktyg för åtgärder som skiljer sig det avsedda arbetet kan det resultera i riskfyllda.
- h) **Håll handtag och greppytor torra, rena och fria från olja och fett.** Hala handtag och greppytor ger inte säker hantering och kontroll över verktyget i oväntade situationer.

## 5. ANVÄNDNING OCH SKÖTSEL AV SLADDLÖSA VERKTYG

- a) **Ladda bara med den laddare som tillverkaren anger.** En laddare som passar en typ av batteripaket kan medföra en risk för brand när den används till ett annat batteripaket.
- b) **Använd elverktyg bara tillsammans med det särskilt konstruerade batteripaketet.** Användning av andra batteripaket kan medföra en risk för personskador och brand.
- c) **När batteripaketet inte används ska det hållas borta från metallföremål som gem, mynt, nycklar, skruvar och andra små metallföremål som kan skapa kontakt mellan batteripaketets poler och kortsluta det.** En kortslutning kan orsaka brännskador och brand.
- d) **Under olyckliga omständigheter kan vätska komma ur batteriet. Undvik kontakt. Om den kommer i kontakt med huden, skölj med vatten. Om den kommer i kontakt med ögonen, skölj rikligt med vatten och sök läkarhjälp.** Vätska som kommer ut ur batteriet kan orsaka irritation eller brännskador.
- e) **Använd inte ett batteripack eller verktyg som skadats eller modifierats.** Skadade eller modifierade batterier kan uppvisa förväntade beteende som kan leda till brand, explosion eller skada.
- f) **Utsätt inte batteripack eller verktyg för eld eller höga temperaturer.** Eld eller temperaturer som överstiger 130 °C kan orsaka explosioner.
- g) **Följ alla laddningsinstruktioner och ladda inte batteripacket eller verktyget utanför temperaturintervallen som anges i instruktionerna.** Felaktig laddning eller laddning i temperaturer utanför det angivna temperaturintervallet kan skada batteriet eller öka brandrisken.

## 6. UNDERHÅLL

- a) **Låt ditt elverktyg underhållas av en kvalificerad reparatör som bara använder äkta reservdelar.** Det kommer att garantera att elverktygets säkerhet bibehålls.
- b) **Försök aldrig reparera skadade batteripack.** Batteripack får endast underhållas av tillverkaren eller behöriga servicetekniker.

# SÄKERHETSVARNINGAR FÖR HÄCKTRIMMER

- a) **Använd inte häcktrimmern under dåliga väderförhållanden, särskilt när det finns risk för åska.** *Det minskar risken för att träffas av blixnar.*
- b) **Håll strömsladdan undan från klippområdet.** *Strömsladdar eller kablar kan döjljas i häcken eller buskar och kan oavsiktligt klippas av av bladet.*
- c) **Använd hörselskydd. Tillräcklig skyddsutrustning minskar risken för hörselnedsättning.**
- d) **Håll verktyget med isolerade greppytor när du utför ett arbete där sliverktyget kan komma i kontakt med dolda sladdar eller sin egen sladd.** *Kommer man i kontakt med en strömförande sladd kommer det att leda in ström i verktygets metalldelar och ge användaren en elchock.*
- e) **Håll alla kroppsdelar borta från klippbladet. Ta inte bort klippmaterial eller håll i material som ska klippas medan bladen är i rörelse.** *Bladen fortsätter att röra sig efter att omkopplaren stängts av. Ett ögonblick av ouppmärksamhet när du arbetar med ett motor drivet verktyg kan resultera i allvarliga personskador.*
- f) **När material som fastnat tas bort eller vid service av enheten se till att alla strömbrytare är avstängda och att batteripaketet är borttaget eller fränkopplat.** *Oväntad aktivering av häcktrimmern när material som fastnat tas bort eller vid service kan resultera i allvarliga personskador.*
- g) **Bär häcktrimmern i handtaget och med bladet stoppat. Vid transport eller förvaring av häcktrimmern sätt alltid på skyddet för klippenheten och se till att inga strömbrytare används.** *Korrekt hantering av häcktrimmern minskar risken för eventuellt personskador från klippbladen.*
- h) **Vid transport eller förvaring av häcktrimmern, sätt alltid fast bladsyddet.** *Korrekt hantering av häcktrimmern kommer att minska risken för personskador från bladen.*
- i) **Kontrollera att det inte finns några främmande**

föremål i häcken, t.ex. stålträdsstängsel och dolda ledningar.

- j) Håll häcktrimmern ordentligt, d.v.s. Med båda händerna om det finns två handtag.
- k) Häcktrimmern är avsedd att användas av operatören från marken och inte på stegar eller någon annan instabil upphöjning.
- l) Innan häcktrimmern används, se till att låsenheterna på några rörliga element (t.ex. förlängningsskaft och lutningsenheter) om sådan finns är i låst position.
- m) Se till att eventuella justerbara stoppmekanismer underhålls med jämna mellanrum.
- n) Lyft eller bära inte häcksaxen med endast ett handtag.

## BATTERISÄKERHET SÄKERHETSFÖRESKRIFTER FÖR BATTERIET

- a) Ta inte isär batteriet, öppna inte heller batteriet eller sära på battericeller.
- b) Kortslut inte batteriet. Förvara inte batteriet på ett slarvigt sätt i en låda där det kan kortslutas eller skadas av ledande material. När batteriet inte används, håll det borta från metallobjekt, såsom pappersgem, pengar, nycklar, naglar, skruvar eller andra små metallobjekt som kan leda ström från en terminal till en annan. Om batteriterminalerna kortsluter varandra kan de försäkra brandrisk.
- c) Exponera inte batteriet för eld eller värme. Undvik förvaring i direkt solljus.
- d) Utsätt inte batteriet för mekanisk chock.
- e) Om batteriet läcker, låt inte vätskan komma i kontakt med hud eller ögon. Om så ändå skulle hända, skölj med mycket vatten och sök läkarhjälp.
- f) Håll batteriet rent och torrt.
- g) Torka av batteriet om det blir smutsigt med en torr, ren trasa.
- h) Batteriet måste laddas före användning. Använd den här bruksanvisningen för att ladda batteriet korrekt.
- i) Låt inte batteriet stå på laddning när det inte används.
- j) Efter lång tids användning kan det bli nödvändigt att ladda och ladda ur batteriet många gånger för att nå maximal prestanda.
- k) Ladda endast med laddare av varumärket Kress. Använd ingen annan laddare än den som specifikt ska användas med det här batteriet.
- l) Använd inte ett batteri som inte är avsett för användning med det här verktyget.
- m) Håll batteriet borta från barn.
- n) Behåll den ursprungliga bruksanvisningen för framtida användning.
- o) Plocka ur batteriet från verktyget då det inte används.
- p) Kassera batteriet på rätt sätt.




- q) Blanda inte celler från olika tillverkning, kapacitet, storlek eller typ inom en enhet.
- r) Håll batteriet borta från mikrovägor och högt tryck.
- s) **Varning! Använd inte icke-uppladdningsbara batterier.**


## BRUKSANVISNINGSKRAV FÖR TRÅDLÖS PRODUKT

- a) Enheten får endast användas under förutsättning att följande två villkor är uppfyllda: (1) Enheten får inte orsaka skadlig störning och (2) enheten måste acceptera all mottagen störning, inklusive störningar som kan orsaka oönskad användning.
- b) Försiktighet: Ändringar eller modifieringar av denna enhet som inte uttryckligen godkänns av parten som är ansvarig för dess uppfyllelse kan upphäva användarens rätt att använda utrustningen.
- c) NOTERA: Utrustningen alstrar, använder och kan avge radiofrekvensenergi och om den inte installeras och används i enlighet med instruktionerna kan den orsaka skadliga störningar på radiokommunikation. Det finns dock inte någon garanti för att störning inte inträffar i en specifik installation. Om utrustningen orsakar skadliga störningar vid mottagning av radio- eller tv-mottagning, vilket kan fastställas genom att stänga av och slå på utrustningen, uppmanas användaren att försöka korrigera störningen genom en eller flera av följande åtgärder:
  - Rikta om eller flytta mottagningsantennen.
  - Öka avståndet mellan utrustningen och mottagaren.
  - Anslut enheten till ett uttag som hör till en annan krets än den som mottagaren är ansluten till.
  - Kontakta återförsäljaren eller en erfaren radio- eller TV-tekniker för att få hjälp.

SV


## SYMBOLER

|   |  |
|---|--|
|  | För att minska risken för skador måste användaren läsa bruksanvisningen. |
|  | VARNING  |
|  | Använd ögonskydd   |

|  |  |
|--|--|
|     | Använd hörselskydd   |
|    | Använd dammmask  |
|    | Håll händerna borta från bladet  |
|    | Använd skyddshandskar  |
|    | Bränn dig inte   |
|    | Batterier kan komma in i vattencykeln om de kasseras felaktigt, vilket kan vara farligt för ekosystemet. Kasta inte förbrukade batterier som osorterat kommunalt avfall.   |
|    | Li-Ion-batteri Denna produkt har märkts med en symbol för "separat insamling" för alla batteripaket och batteripaket. Den kommer sedan att återvinnas eller demonteras för att minska miljöpåverkan. Batteripaket kan vara farliga för miljön och människors hälsa eftersom de innehåller farliga ämnen. |
|    | Elektriska produkter får inte kastas med hushållsavfall. Vänligen återvinn där det finns faciliteter. Kontakta lokala myndigheter eller återförsäljare för återvinningsråd.  |
|  | Ta ut batteriet ur uttaget innan du utför någon justering, service eller underhåll.  |

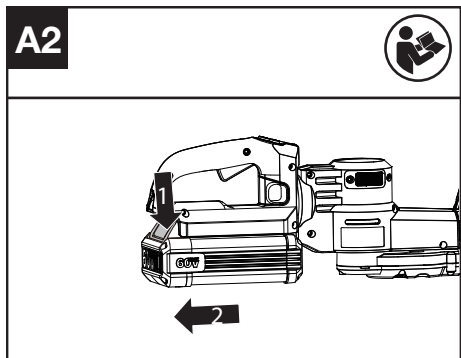
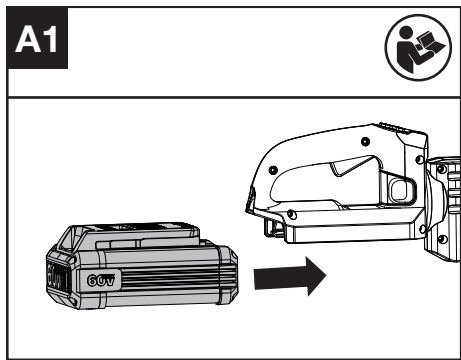
SV

## MONTERING & HANTERING

 **OBS:** Innan du använder verktyget, läs noga igenom bruksanvisningen.

 **FÖRE DRIFT:**

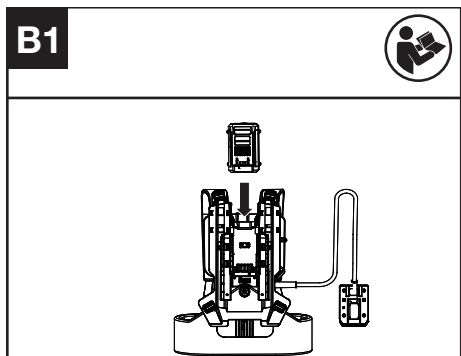
**Ta Bort Eller Sätta I Batteripaketet (Se Figur A1,A2)**

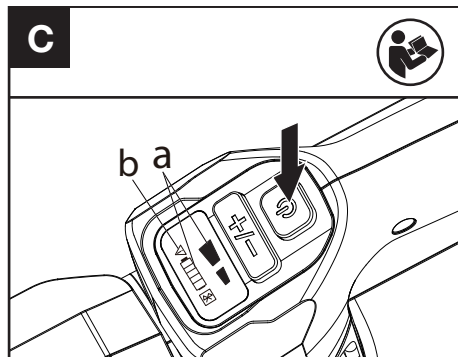
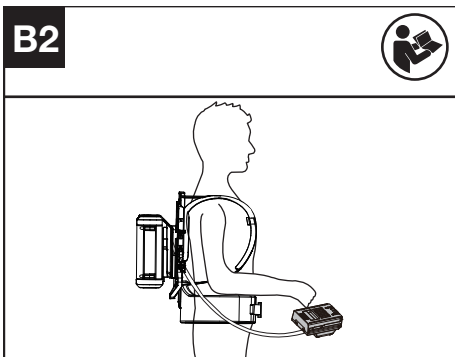


1. Skjut in batteripaketet i batterifacket tills du hör ett klick.
2. Tryck på batteriets lås knapp för att lossa batteripaketet från verktyget.

### Ansluta häcksaxen till ryggsäcksselen (Se Bild. B1,B2,B3)

Installera batteripaketet i ryggsäckens sele och sätt sedan in kontakten i maskinen. Sätt på ryggsäcksselen. Mer information finns i ryggsäcksselehandboken.

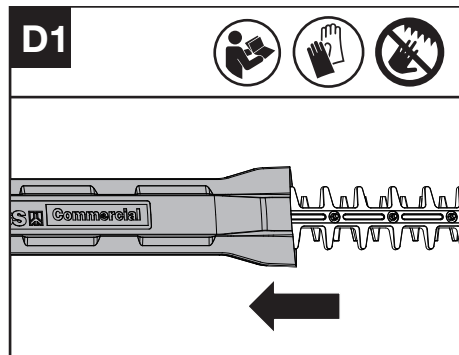




## DRIFT:

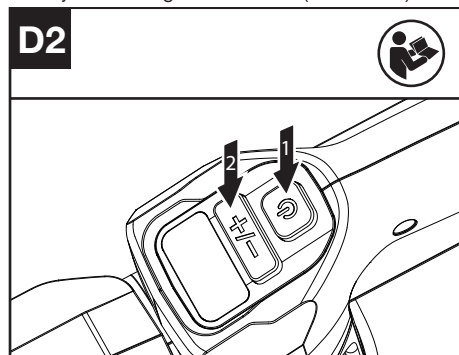
### Starta och stoppa

Innan du används, ta bort bladsenan först. (Se Bild. D1)

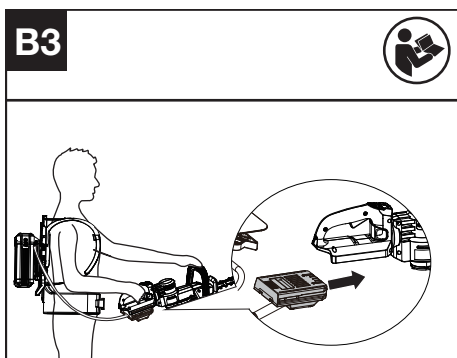


### Att välja hastighet

1. Tryck på på/av-knappen.
2. Tryck knappen för hastighetsregleringen för att välja den hastighet du önskar. (Se Bild. D2)



Tryck sedan på den främre brytarspaken och den



## Testar trimmern och batteriet (Se Bild. C)

### Kontrollerar kontrollerna

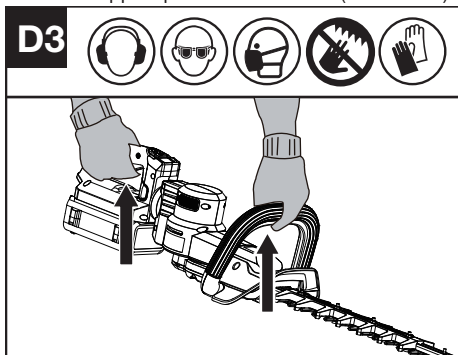
#### Främre och bakre omkopplarspak

1. Plocka bort batteriet.
2. Tryck och släpp den främre och den bakre omkopplarspaken. Om den bakre eller främre omkopplarspaken fastnar och inte kan fjädra tillbaka till sitt ursprungliga läge. Sluta använda trimmern och kontakta serviceagenten.

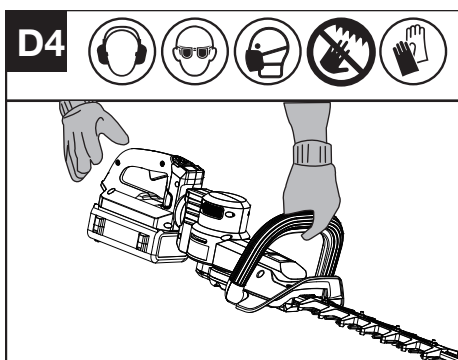
### Kontrollera displayen

1. Sätt i batteriet.
2. Håll ned och tryck på/av-knappen. Produkten slås på när lysdioden(a) lyser. Produkten slås av när lysdioden (b) är släckt.
3. Om varningsindikatorn (b) tänds eller blinkar, se **Felsökning** för lösningar.
4. Tryck på den främre omkopplarspaken och tryck sedan på den bakre omkopplarspaken för att starta maskinen.
5. Släpp den bakre omkopplarspaken. Trimmern stannar. Om trimmern inte stannar, plocka bort batteriet och kontakta serviceagenten.

bakre omkopplarspaken för att starta. (Se Bild. D3)



Släpp den bakre omkopplarspaken och den främre omkopplarspaken för att stanna. (Se Bild. D4)



När maskinen inte används stänger du av häcksaxen och kopplar bort den från ryggsäckselen.

### Roterande bakre handtag (Se Bild. E1, E2)

**OBS:** Lås upp låsbrytaren innan du roterar.

När du har roterat handtaget till önskat läge justerar du det lite tills ett klick kan höras.

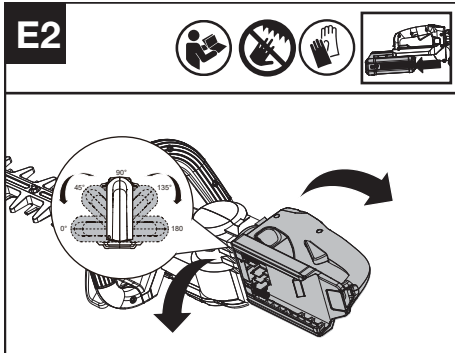
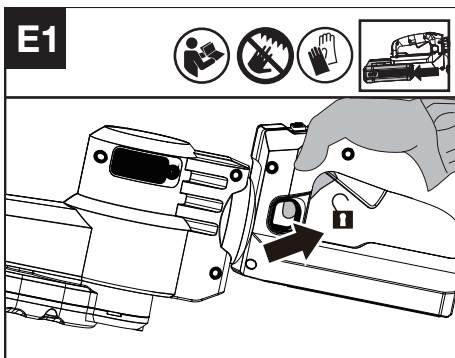


**VARNING:**

Se alltid till att handtaget är låst i önskat läge före användning.

Se alltid till att låsbrytaren är låst innan du startar häcksaxen.

Rotera inte handtaget när trimmern används.



### SÅ HÄR ANVÄNDER DU HÄCKSTRIMMERN

Innan du skär ett område, inspektera det först och ta bort alla främmande föremål som kan kastas eller trassla in sig i bladen. Håll alltid trimmern med båda händerna och med bladet borta från dig innan du slår på den.

Vid trimning av ny tillväxt, använd en bred svepande åtgärd så att stjälkarna matas direkt in i bladet.

Låt skärbladen nå full hastighet innan du klipper.

Vid drift, håll skärbladen borta från människor och föremål som väggar, stora stenar, träd, fordon etc.

Om bladet stannar, stoppa omedelbart trimmern.

Lossa de två switchspakarna innan du försöker rensa fast skräp från skärbladen.

Använd handskar när du trimmar taggig eller prickig tillväxt.

Försök inte klippa stjälgar som är för tjocka för skärbladet.

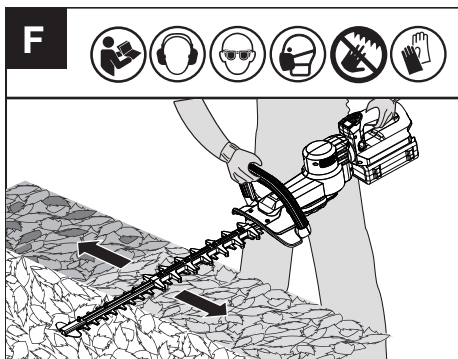
### Toppskärning (Se bild F)

Använd en bred svepande rörelse. En liten nedåtriktad lutning av skärbladen i rörelseriktningen ger de bästa skärresultaten.



**VARNING:** Om några delar saknas, skadas eller bryts ska du inte använda häcksaxen förrän alla skadade delar har bytts ut eller reparerats. Underlåtenhet att göra detta kan leda till allvariga personskador.

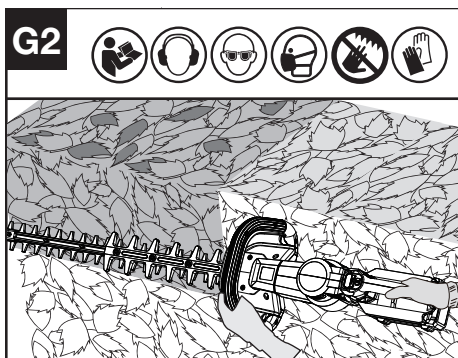
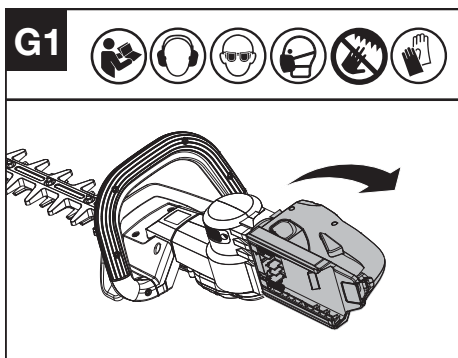
ANVÄND INTE UTAN FRÄMRE HANDTAG OCH SÄKERHETSSKYDD.



### Sidoskärning (Se Bild. G1, G2)

När du trimmar häckens sidor, börja längst ner och skär uppåt och avsmalna häcken inåt upptill. Denna form kommer att exponera mer av häcken, vilket resulterar i en mer likformig tillväxt.

**! WARNING:** Sluta använda trimmern innan du vrider handtaget.



## TRANSPORT

### Transportera trimmern

1. Stäng av trimmern och plocka ur batteriet.
2. När du för trimmern för hand, håll i mitten på skaftet med klingan för trimning bakåt och se till att maskinen är parallell med marken.
3. Vid transport av trimmern i ett fordon, säkra fast den och placera den så att den inte tippar eller skadas.

### Transportera batteriet

1. Se till att batteriet är i ett säkert skick.
2. Använd icke-ledande förpackning när du transporterar batteriet.
3. De inneslutna Li-Ion-batterierna omfattas av lagstiftningen för krav om farligt gods. Transportera endast batterier när batterihöljet är oskadat. Packa batterierna på ett sådant sätt att de inte kan röra sig i förpackningen.

## UNDERHÅLL

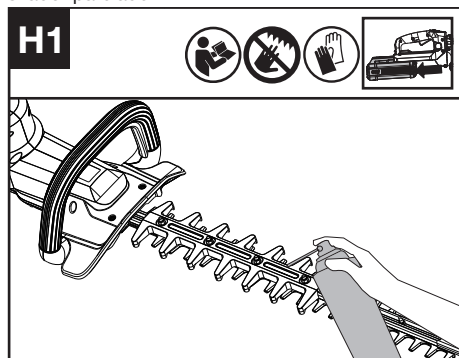
**! WARNING!** Ta alltid bort batteriet innan du utför något underhåll på trimmern.

**Ta bort batteriet från häcksaxen innan du utför någon justering, service eller underhåll.**

Det finns inga delar som kan servas av användaren i elverket. Använd aldrig vatten eller kemiska rengöringsmedel för att rengöra elverket. Torka rent med en torr trasa. Förvara alltid elverket på en torr plats. Håll motorventilationsöppningarna rena. Håll alla arbetskontroller fria från damm.

### Smörj skärbladet (Se Bild. H1)

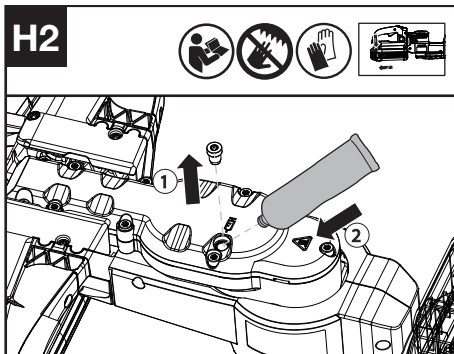
**OBS:** Det är viktigt att endast använda den rekommenderade smörjoljan (WD-40) för att undvika skador på bladet.



### Smörj växellådan (Se Bild. H2)

Ta bort skruvpluggen från växellådan. Smörj växellådan genom oljehålet efter var 50:e timmes drift. Ta bort skruvarna från växellådan och ta bort locket. Smörjning efter var 300:e timmes drift. **OBS:** Smörj häcksaxväxelväskan med fett

(SHELL Gadus S2 V220 1) för bästa drift och längre livslängd.

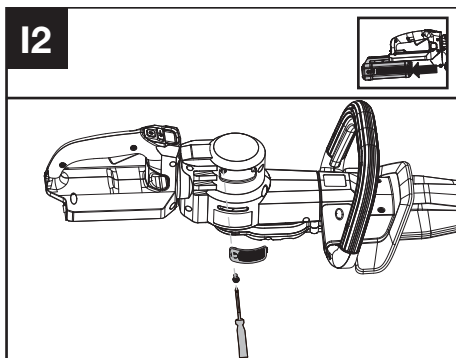
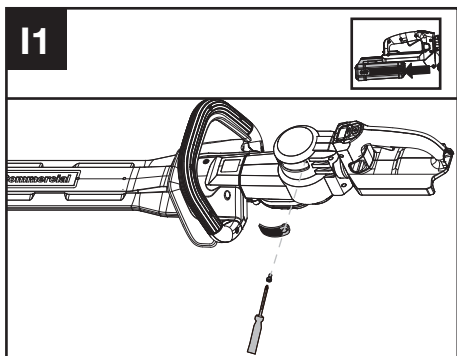


## SKÄRPNING

**!** **WARNING:** Använd inte maskinen med tråkiga eller skadade skärblad, vilket kommer att orsaka överbelastning och otillfredsställande prestanda. När skärprestandan börjar försämrans, fyll på bladet igen. När klippprestandan börjar försämrans, låt en fackman slipa om bladet. Skyddshandskar ska alltid användas när du hanterar trimmerns blad och endast skäreppen ska slipas. Slipa bara skäreppen. Slipa inte trubbiga utstända delar av skärbladet eller dess skydd. Använd en whetstone för att ta bort grad från skäreppen. Rengör dammet från bladet efter slipning.

### Rengöring av luftfiltret (Se Bild. I1, I2)

1. Rengör området runt luftfiltret. Använd en fuktig trasa eller en mjuk borste.
2. Skruva loss och ta bort luftfiltret.
3. Tvätta luftfiltret med rinnande vatten för att ta bort smutsen.
4. Låt luftfiltret torka i luften. Och sätt sedan tillbaka den i huset genom att dra åt skruven.



## RENGÖRING

1. Stäng av trimmern och plocka ut batteriet.
2. Använd inte aggressiva rengöringsmedel eller lösningsmedel. Rengör maskinen efter användning med en fuktig trasa doppad i mild rengöringsmedel.
3. Håll batteriuttaget fritt från smuts och skräp och rengör med en mjuk och torr borste eller trasa.
4. Spreja inte vatten på motorn eller elektriska komponenter.
5. Använd inte vatten med tryck för att rengöra maskinen.

## FÖRVARING

1. Ta bort batteripaketet från trimmern innan förvaring.
2. Förvara trimmern och batteriet på en torr och säker plats utom räckhåll för barn eller annan obehörig person.
3. Förvara batteriet endast inom ett temperaturområde mellan 41°F (5 °C) och 77°F (25 °C). Som ett exempel, ska batteriet inte lämnas i bilen sommartid.
4. När maskinen blivit blöt i regnet under drift bör maskinen och batteriet torkas före förvaring eller laddning. Ta ur batteriet och sätt tillbaka det om maskinen inte kan slås på.

## FÖR BATTERIVERKTYG

Den rekommenderade omgivande temperaturintervallet för urladdning är -20 °C till 45 °C. Det rekommenderade omgivningstemperaturintervallen för laddningssystem vid laddning är -5 °C~45 °C.

## FELSÖKNING

I följande tabell hittar du problem och åtgärder som du kan utföra om inte enheten fungerar som den ska.

**!** **Varning: Stäng av enheten och ta bort batteriet före all felsökning.**

## TRIMMER


| Problem                            | Möjliga orsaker                                | Korrigerande åtgärder   |
|------------------------------------|--|---|
| Batteriindikatorns lysdiod blinkar | Låg batterispänning.                           | Byt ut batteriet.   |
| Lysdioden blinkar rött vid fel     | Överbelastning                                 | Skärverktyget har låst sig. Stäng av produkten. Plocka bort batteriet. Rengör skärverktyget från oönskade material. |
|                                    | Problem med temperaturen.                      | Låt produkten svalna.   |
|                                    | Andra problem                                  | Kontakta serviceagent   |
| Produkten startar inte             | Smuts på batteriets kontakter.                 | Rengör batteriets kontakter med tryckluft eller en mjuk borste.   |
|                                    | Andra problem                                  | Kontakta serviceagent.  |
| Trimmern kör oregelbundet          | Batteriet är inte helt anslutet till maskinen. | Sätt i batteriet helt.  |
|                                    | Potentiellt elektriskt problem.                | Kontakta serviceagent.  |
| Överdrivna vibrationer/oljud.      | Problem med skärverktyg. Maskinen defekt.      | Byt ut skärverktyget. Kontakta serviceagent.  |

## BATTERI

| Problem                   | Möjliga orsaker           | Korrigerande åtgärder   |
|---------------------------|---------------------------|---|
| Lysdioden är tänd vid fel | Batteriet är urladdat     | Byt ut batteriet. Om batteriet inte laddar, kontakta din serviceagent.  |
|                           | Problem med temperaturen. | Använd batteriet i miljöer där temperaturen ligger mellan -5 °C och 45 °C (23°F till 113°F) för laddning; -20 °C till 45 °C (-4°F till 113°F) för urladdning. |
|                           | Andra                     | Kontakta din serviceagent.  |

## TEKNISKA DATA

Typ: **KC201 KC201.X** (201- benämning av maskinen, representativ för sladdlös häcktrimmer)

|                                | KC201 KC201.X**  |
|--------------------------------|--|
| Spänning                       | 60 V  MAX *** |
| Skärhastighet                  | 4400/5000 SPM  |
| Bladlängd                      | 63 cm (25")  |
| Tandavstånd                    | 30 mm (1.18 inch)  |
| Grad av skydd                  | IPX4   |
| Maskinens vikt (Naken verktyg) | 3.8 kg (8.3 lbs)   |

\*\* X = 1-999, A-Z, M1-M9 är endast för olika kunder, det finns inga säkerhetsrelaterade förändringar mellan dessa modeller.

\*\*\* Spänning mäts utan arbetsbelastning. Initial batterispänning når maximalt 60 volt. Nominell spänning är 54 volt.

## REKOMMENDERADE BATTERIER OCH LADDARE

| Batteripaket         | Kapacitet | Laddning | Amperage |
|----------------------|-----------|----------|----------|
| KAC800               | 4 Ah      | KAC840   | 30 A     |
| KAC810 (Med ryggsle) | 11 Ah     |          |          |
| KA3000               | 2.0 Ah    |          |          |

Vi rekommenderar att du köper dina tillbehör från samma leverantör som sålde verktyget till dig. Se förpackningen med tillbehör för mer information. Leverantören kan hjälpa dig och ge råd.

## TEKNISKA DATA FÖR BATTERIPAKET (TILLVAL)

|                                    |                 |
|------------------------------------|-----------------|
| Frekvensband för Bluetooth         | 2400-2483.5 MHz |
| Maximal sändareffekt för Bluetooth | 8 dBm           |

## BULLERINFORMATION

|                    |                                |
|--------------------|--------------------------------|
| Uppmätt ljudtryck  | $L_{pA} = 87.48 \text{ dB(A)}$ |
| $K_{pA}$           | 3.0 dB(A)                      |
| Uppmätt ljudstyrka | $L_{wA} = 95.48 \text{ dB(A)}$ |

SV

$K_{WA}$  0.97 dB(A)

Använd hörselskydd



## VIBRATIONSINFORMATION

Totala vibrationsvärden (triaxvektorsumma)  
fastställda enligt EN 62841:

|                          |   |
|--------------------------|---|
| Typisk uppmätt vibrering | Bak: $a_h = 2.42 \text{ m/s}^2$<br>Fram: $a_h = 2.50 \text{ m/s}^2$ |
| Osäkerhet                | Bak: $K = 1.5 \text{ m/s}^2$<br>Fram: $K = 1.5 \text{ m/s}^2$       |

Det angivna totala vibrationsvärdet och det angivna bullervärdet har uppmätts i enlighet med en standardtestmetod och kan användas för att jämföra ett verktyg med ett annat.

Det angivna totala vibrationsvärdet och det angivna bullervärdet kan också användas i en preliminär exponeringsbedömning.

**! VARNING:** Vibrationer och buller vid användning av elverktyget kan skilja sig från det angivna värdet beroende på vilket sätt verktyget används på, särskilt vilken typ av arbetsstycke som bearbetas beroende på följande exempel och andra varianter på hur verktyget används:

Hur verktyget används och materialet som skärs eller borrar.

Verktyget är i bra skick och bra underhållet.

Användning av korrekt tillbehör för verktyget och säkerställ att de är skarpa och i bra skick.

Åtdragningsgraden av greppet på handtagen och om några antivibrations- och bullertillbehör används.

Och att verktyget används såsom avsett enligt dess konstruktion och dessa instruktioner.

**Detta verktyg kan orsaka hand-arm vibrationsyndrom om det används på felaktigt sätt.**

**! VARNING:** För att vara korrekt bör en beräkning av exponeringsnivån under verkliga förhållanden vid användning också tas med för alla delar av hanteringscykeln såsom tiden när verktyget är avstängt och när det körs på tomgång utan att utföra något arbete. Detta kan betydligt minska exponeringsnivån över den totala arbetsperioden.

Hjälp för att minimera din exponering för vibrationer och buller.

Använd ALLTID skarpa mejslar, borrar och blad.

Underhåll verktyget i enlighet med dessa instruktioner och håll det välsmort (där så behövs).

Om verktyget ska användas regelbundet investera då i antivibrations- och bullertillbehör.

Planera ditt arbetsschema för att sprida ut användning av kraftigt vibrerande verktyg över flera dagar.

## MILJÖSKYDD



Uttjänade elektriska produkter får inte kasseras som hushållsavfall. Återanvänd där det finns anläggningar för det. Kontakta dina lokala myndigheter eller återförsäljare för återvinningsråd.

## DEKLARATION OM ÖVERENSSTÄMMELSE

Vi,  
Positec Germany GmbH  
Postfach 680194, 50704 Cologne, Germany

Deklarerar att denna produkt,  
Beskrivning **Batteridrivna häcktrimmer**  
Typ **KC201 KC201.X (201-benämning av maskinen, representativ för häcktrimmer)**  
Funktion **Trimma häckar och borstar**

På Positecs vägnar förklara att produkten  
**2006/42/EC, 2014/30/EU, 2011/65/EU&(EU)2015/863, 2000/14/EC ändrad av 2005/88/EC**

2000/14/EC ändrad av 2005/88/EC:

- Konformitetsutvärderingsprocedur enligt Annex V

- Uppmätt bullernivå 95.48 dB (A)  
- Deklarerad garanterad bullernivå 96.45 dB (A)

Standarder överensstämmer med  
**EN 62841-1, EN 62841-4-2, EN ISO 3744, EN IEC 55014-1, EN IEC 55014-2, EN IEC 63000**

Personen som godkänts att sammanställa den tekniska filen

Namn **Marcel Filz**  
Adress **Positec Germany GmbH**  
Postfach **680194, 50704 Cologne, Germany**



2024/06/19

Allen Ding

Vice chefsingenjör, tester och certifiering  
Positec Technology (China) Co., Ltd  
18, Dongwang Road, Suzhou Industrial Park, Jiangsu 215123, P. R. China





Copyright © 2024, Positec. All Rights Reserved.  
AR01758300